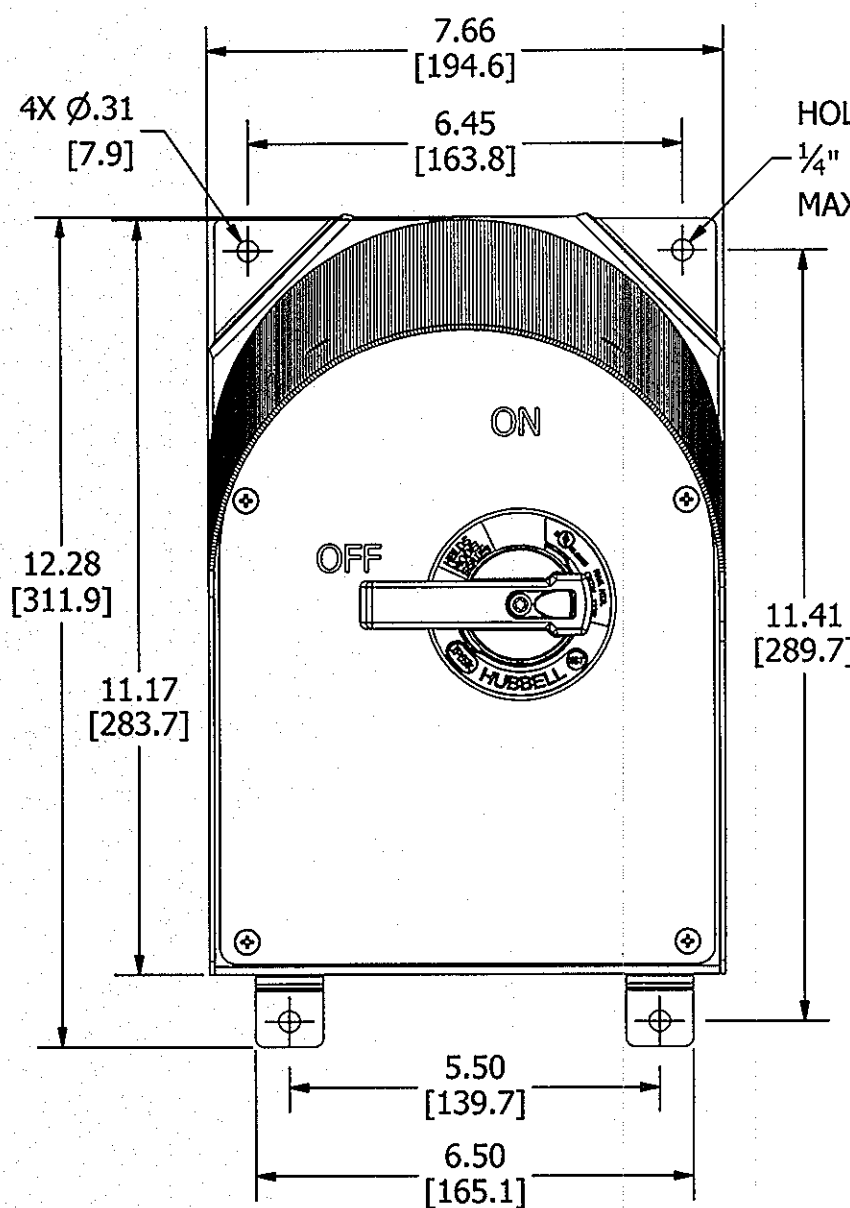
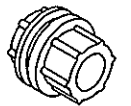
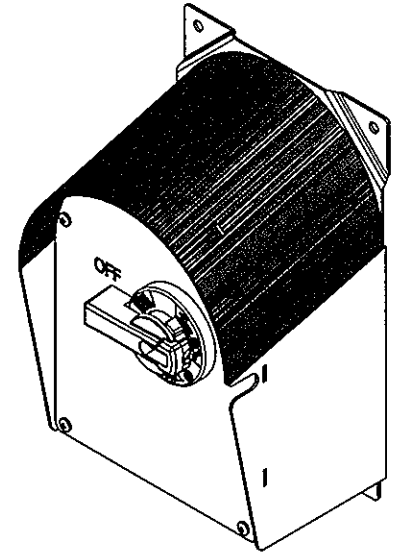
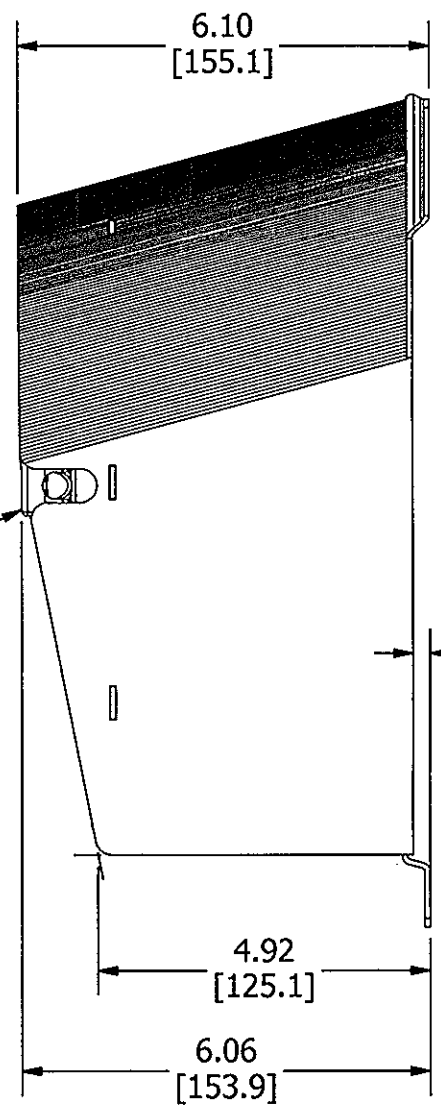


M-12750 1

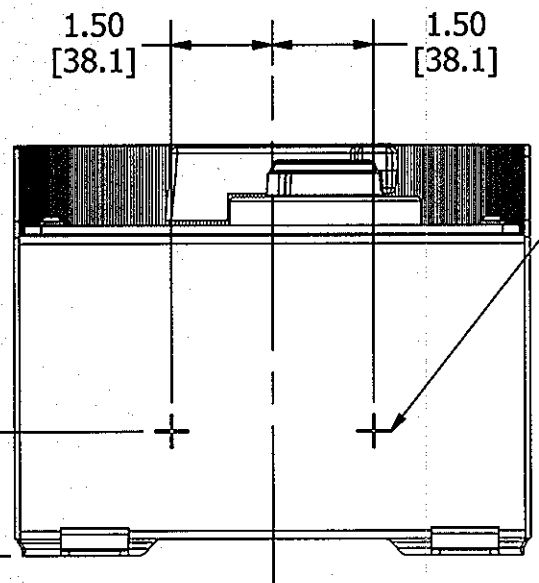


HOLES ACCEPT  
1/4" DIA SCREWS  
MAX

LOCKABLE SWITCH  
HANDLE  
(OFF POSITION ONLY)



(2) 1/4 INCH NPT CONDUIT  
FITTINGS SUPPLIED



DRILL SPOTS FOR 3/4" NPT CONDUIT FITTING,  
BOTTOM FEED ONLY.  
INSTALLER TO DRILL OR PUNCH  
Ø1.11 INCH (Ø28.2 mm) HOLE FOR CONDUIT  
FITTING.

NOTES UNLESS OTHERWISE SPECIFIED:  
1. DIMENSIONS SHOWN ARE IN INCHES [mm].  
2. ENCLOSURE TYPE 4X, IP69k & 12.  
3. cULus LISTED.

CAT NO. HBLDS6SSR & HBLDS6SSRAC (AUX CONTACT)	
60 AMP	600 VAC
7.5 HP (5.6 kw)	120 VAC 1 Ø
15 HP (11.19 kw)	200-240 VAC 1 Ø
30 HP (22.37 kw)	480 VAC 1 Ø
30 HP (22.37 kw)	200-240 VAC 3 Ø
50 HP (37.28 kw)	480 VAC 3 Ø
50 HP (37.28 kw)	600 VAC 3 Ø

CAT NO. HBLDS10SSR & HBLDS10SSRAC (AUX CONTACT)	
100 AMP	600 VAC
7.5 HP (5.6 kw)	120 VAC 1 Ø
15 HP (11.19 kw)	200-240 VAC 1 Ø
30 HP (22.37 kw)	480 VAC 1 Ø
30 HP (22.37 kw)	200-240 VAC 3 Ø
50 HP (37.28 kw)	480 VAC 3 Ø
50 HP (37.28 kw)	600 VAC 3 Ø

LIST OF PARTS

DESCRIPTION	MATERIAL	FINISH
ENCLOSURE & HARDWARE	STAINLESS STEEL	
HANDLE & MOUNT	PBT	
GASKET	EPDM FOAM	
CONDUIT HUB	ZINC	

1	RELEASED PER DCN# 20826 RGP TLS RGP	TLS	10/07/14
SYM	DESCRIPTION	APPROVED	DATE

THE DESIGN AND DIMENSIONS OF THE  
PRODUCT SHOWN ON THIS DRAWING ARE  
SUBJECT TO CHANGE WITHOUT NOTICE

TITLE  
CIRCUIT-LOCK™ 60 & 100 AMP SLOPED TOP  
STAINLESS STEEL DISCONNECT SWITCH

TOLERANCES UNLESS OTHERWISE SPECIFIED	WIRING DEVICE-KELLEMS HUBBELL INCORPORATED SHELTON, CT			
FRACTIONS ± 1/64	DR. BY	RGP	APP. BY	TLS
DECIMALS ± .030	TR. BY		SCALE	NONE
ANGLES ± 2°	CHK'D BY	TLS	DATE	10/21/2014