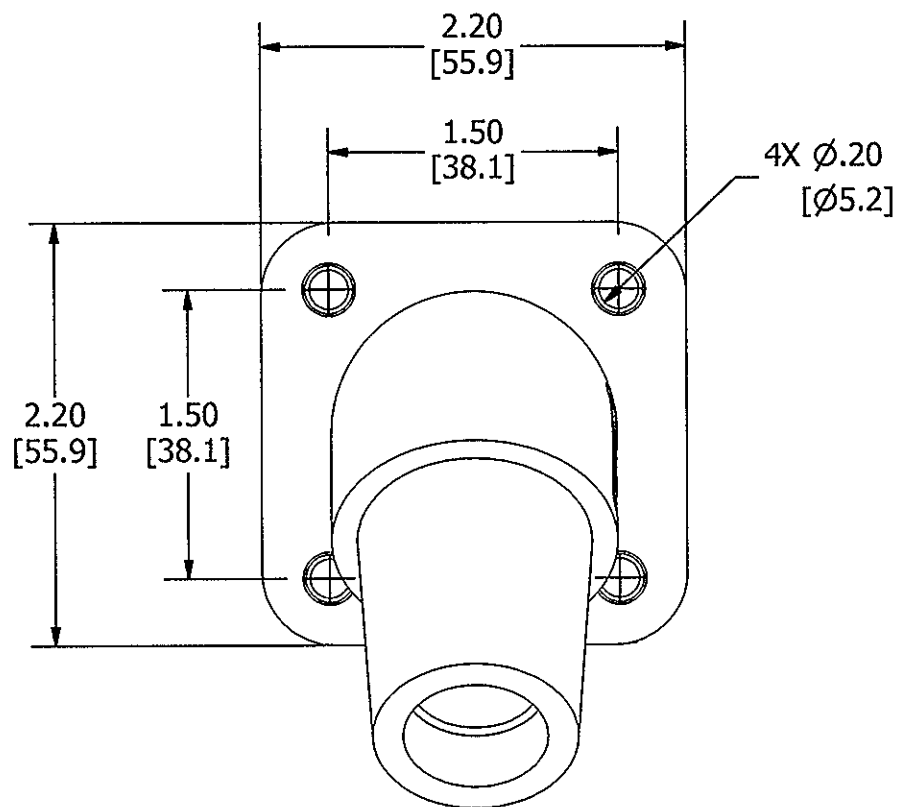
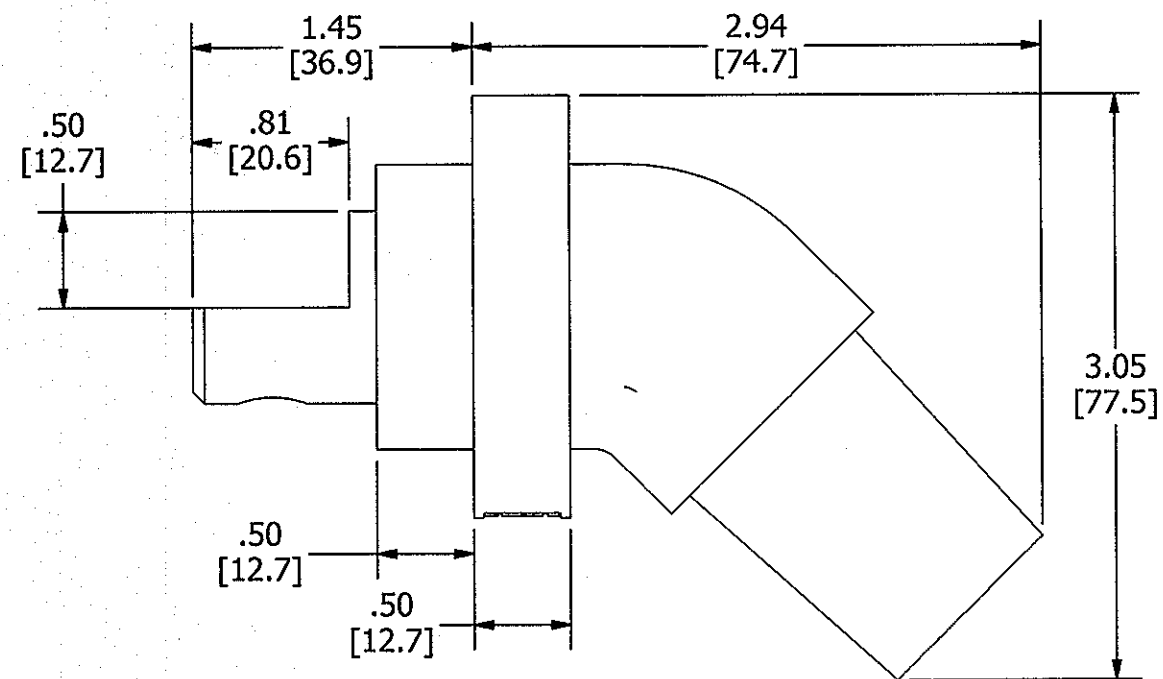
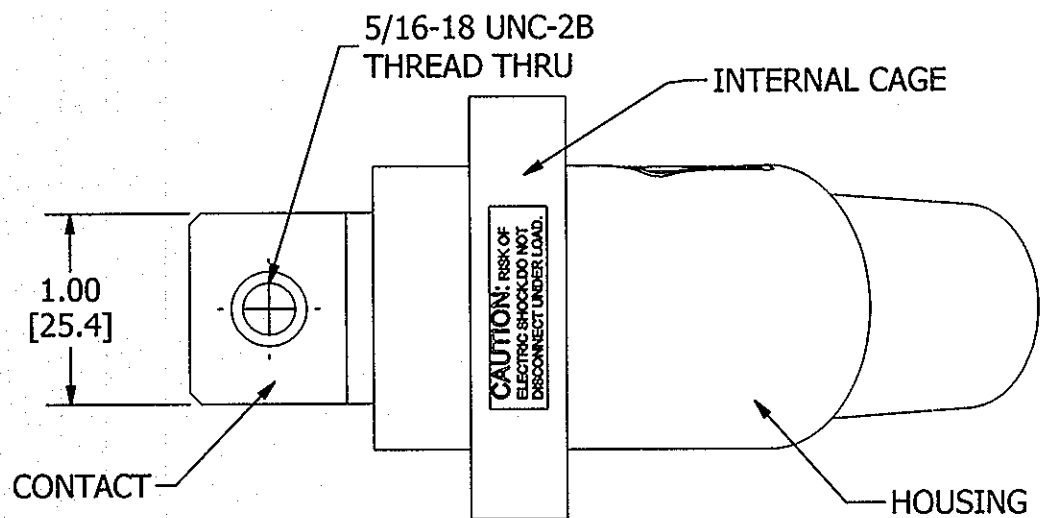
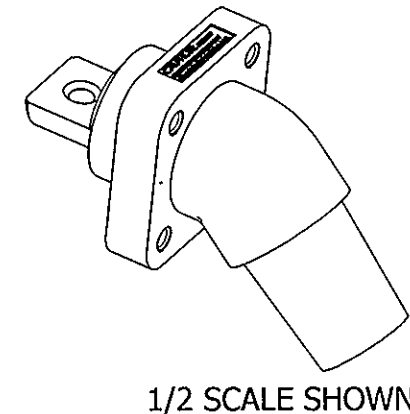


M-13370

1



LIST OF PARTS		
DESCRIPTION	MATERIAL	FINISH
HOUSING	TPE	SEE TABLE
CONTACT	BRASS	
INTERNAL CAGE	NYLON	



1/2 SCALE SHOWN

NOTES:

- DIMENSIONS ARE IN INCHES ±.02 [mm] ±.5
- RATING: 600VAC/250VDC, 400 AMP.
- UL/c-UL ENCLOSURE TYPES 3R, 4X, 12, SEE INSTRUCTION SHEET.

HUBBELL CAT. NO	COLOR
HBLFRABBK	BLACK
HBLFRABBL	BLUE
HBLFRABBN	BROWN
HBLFRABGN	GREEN
HBLFRABO	ORANGE
HBLFRABR	RED
HBLFRABW	WHITE
HBLFRABY	YELLOW

1	RELEASED PER DCN# 22075 CAC	CAC TLS	04/28/16
SYM	DESCRIPTION	APPROVED	DATE

THE DESIGN AND DIMENSIONS OF THE PRODUCT SHOWN ON THIS DRAWING ARE SUBJECT TO CHANGE WITHOUT NOTICE

TITLE SINGLE POLE ANGLED FEMALE RECEPTACLE W/BUS BAR

TOLERANCES UNLESS OTHERWISE SPECIFIED FRACTIONS ± 1/64 DECIMALS ± .030 ANGLES ± 2°	WIRING DEVICE-KELLEMS HUBBELL INCORPORATED SHELTON, CT			
	DR. BY	CAC	APP. BY	TLS
	TR. BY		SCALE	1:1
	CHK'D BY	TLS	DATE	4/6/2016

DIMENSION SHEET FOR CAT. NO.

REPAIRABLE NON-REPAIRABLE

B

M-13370

1