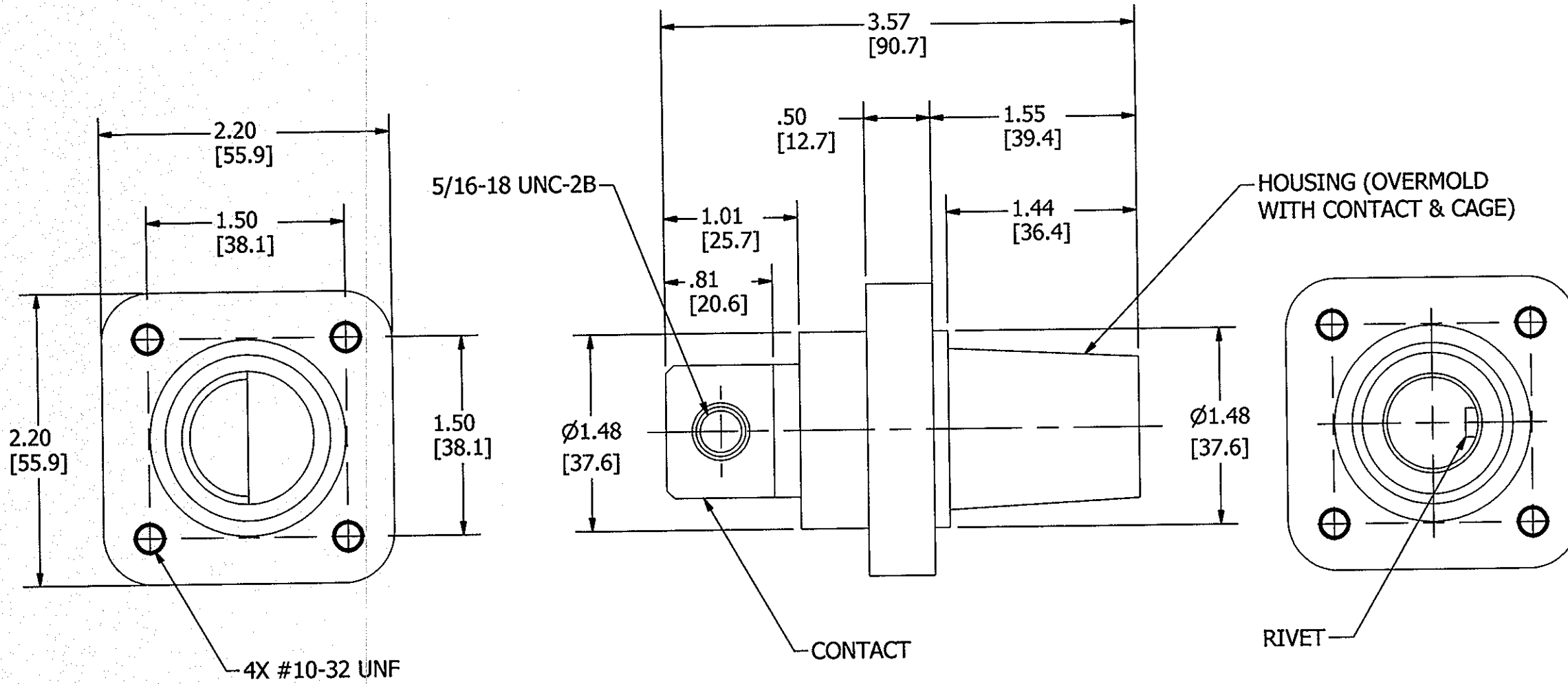


M-12120

2



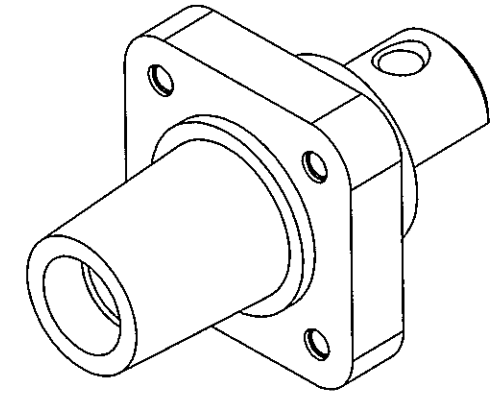
NOTES:

1. DIMENSIONS ARE IN INCHES ± .02
[mm] ± .5
2. RATING : 600VAC/250VDC 400 AMP.
3. UL/c-UL ENCLOSURE TYPES 3R, 4X, 12,
SEE INSTRUCTION SHEET.

HUBBELL CAT. NO.	COLOR
HBLFRBBK	BLACK
HBLFRBW	WHITE
HBLFRBGN	GREEN
HBLFRBR	RED
HBLFRBBL	BLUE
HBLFRBO	ORANGE
HBLFRBBN	BROWN
HBLFRBY	YELLOW

LIST OF PARTS

DESCRIPTION	MATERIAL	FINISH
HOUSING	TPE	SEE TABLE
RIVET	BRASS	
CONTACT	BRASS	
CAGE	NYLON	BLACK
INSERT	BRASS	



**CATALOG NO. HBLFRBBK
(NOT SHOWN TO SCALE)**

2	REDRAWN WITH EMBEDDED CAD MODEL WITH NO CHANGES TO PART GEOMETRY. PER DCN 21895 SPN	DJP	2/5/16
REV	DESCRIPTION	APP	DATE

THE DESIGN AND DIMENSIONS OF THE PRODUCT SHOWN ON THIS DRAWING ARE SUBJECT TO CHANGE WITHOUT NOTICE

TITLE
SINGLE POLE FEMALE RECEPTACLE BUS TYPE

TOLERANCES UNLESS OTHERWISE SPECIFIED		WIRING DEVICE-KELLEMS HUBBELL INCORPORATED SHELTON, CT	
.XX = ± .01	DR. BY MYA	APP. BY DJP	
.XXX = ± .005	TR. BY	SCALE 1:1	
ANGLES = ± 2°	CHK. BY DJP	DATE 12/28/11	

DIMENSION SHEET FOR CAT. NO. **M-12120**
 REPAIRABLE NON-REPAIRABLE
B
2