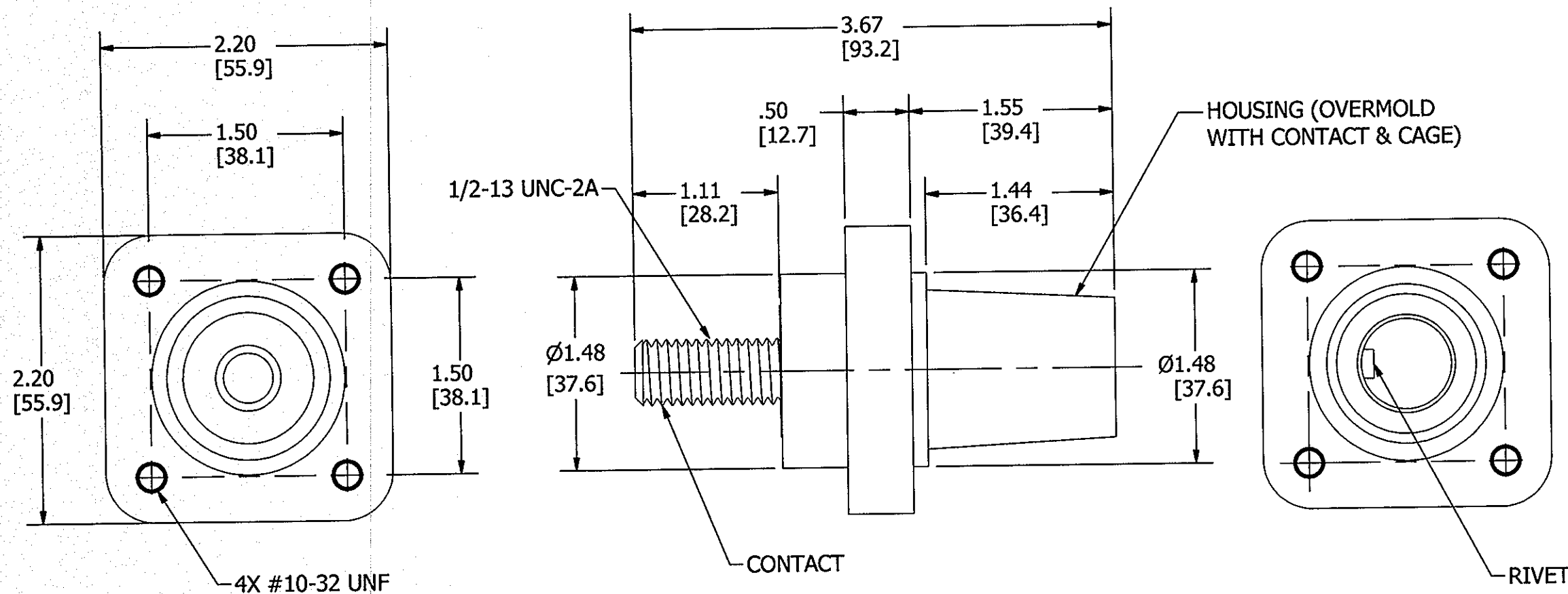
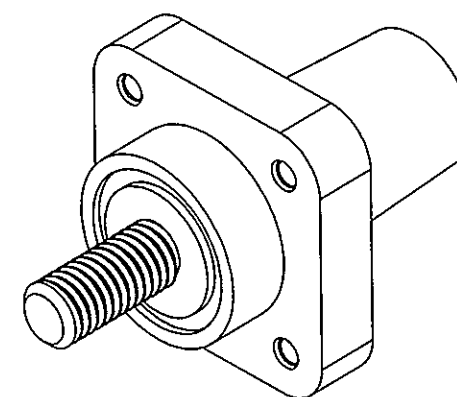


M-10552 2



LIST OF PARTS		
DESCRIPTION	MATERIAL	FINISH
HOUSING	TPE	SEE TABLE
RIVET	BRASS	
CONTACT	BRASS	
CAGE	NYLON	BLACK
INSERT	BRASS	



**CATALOG NO. HBLFRSCBK  
(NOT SHOWN TO SCALE)**

2	REDRAWN WITH EMBEDDED CAD MODEL WITH NO CHANGES TO PART GEOMETRY. PER DCN 21895 SPN	DJP	2/5/16
REV	DESCRIPTION	APP	DATE

- NOTES:**
- DIMENSIONS ARE IN INCHES  $\pm .02$   
[mm]  $\pm .5$
  - RATING : 600VAC/250VDC 400 AMP.
  - UL/c-UL ENCLOSURE TYPES 3R, 4X, 12,  
SEE INSTRUCTION SHEET.

HUBBELL CAT. NO.	COLOR
HBLFRSCBK	BLACK
HBLFRSCW	WHITE
HBLFRSCGN	GREEN
HBLFRSCR	RED
HBLFRSCBL	BLUE
HBLFRSCO	ORANGE
HBLFRSCBN	BROWN
HBLFRSCY	YELLOW

THE DESIGN AND DIMENSIONS OF THE PRODUCT SHOWN ON THIS DRAWING ARE SUBJECT TO CHANGE WITHOUT NOTICE

TITLE  
SINGLE POLE FEMALE RECEPTACLE  
W/STUD

TOLERANCES UNLESS OTHERWISE SPECIFIED	WIRING DEVICE-KELLEMS HUBBELL INCORPORATED SHELTON, CT			
.XX = $\pm .01$	DR. BY	RCM	APP. BY	DJP
.XXX = $\pm .005$	TR. BY		SCALE	1:1
ANGLES = $\pm 2'$	CHK. BY	DJP	DATE	6/19/2007

DIMENSION SHEET FOR CAT. NO. **M-10552**  
 SEE TABLE  
 REPAIRABLE   
 NON-REPAIRABLE   
**B**  
**2**