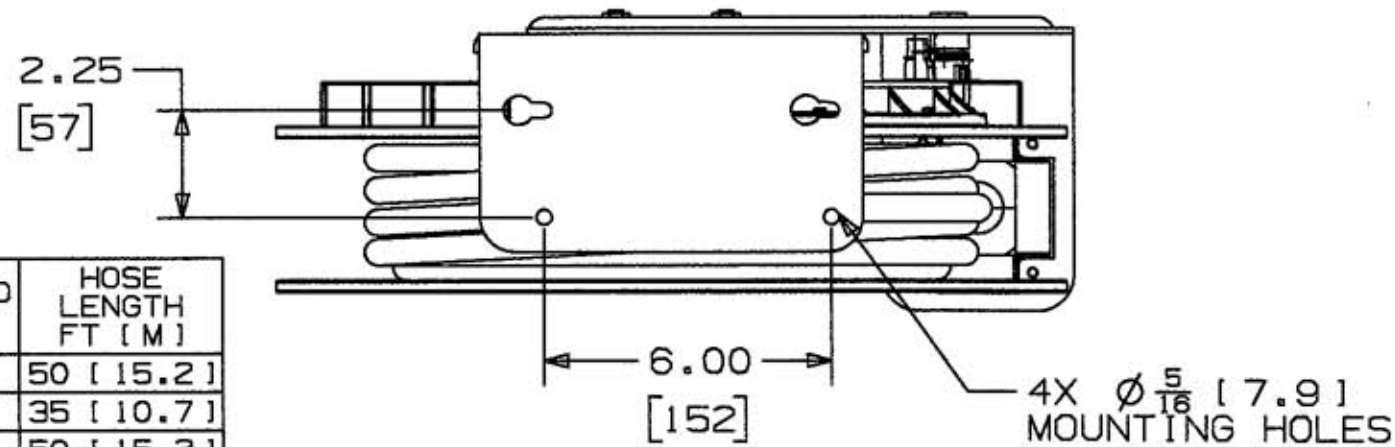
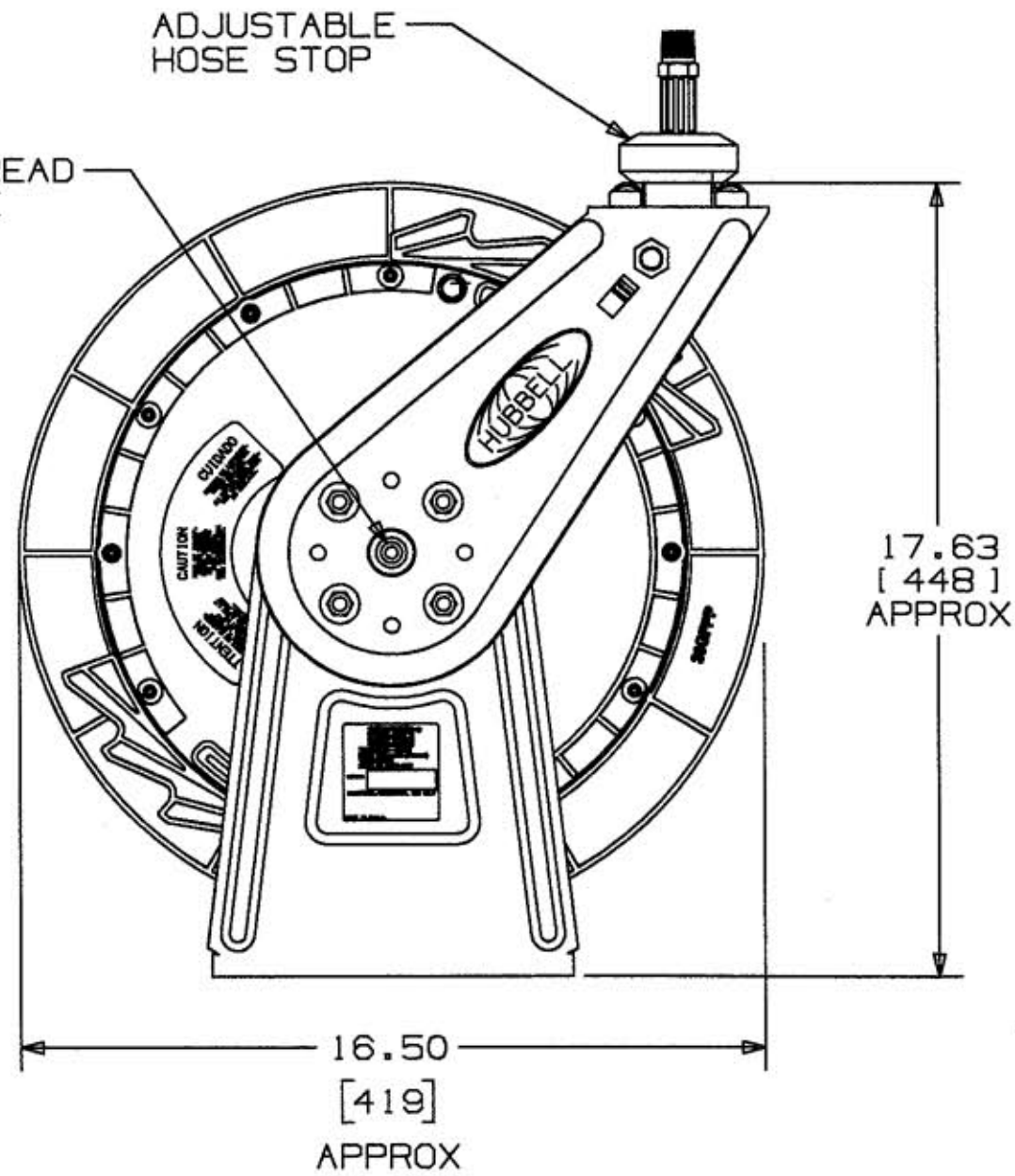
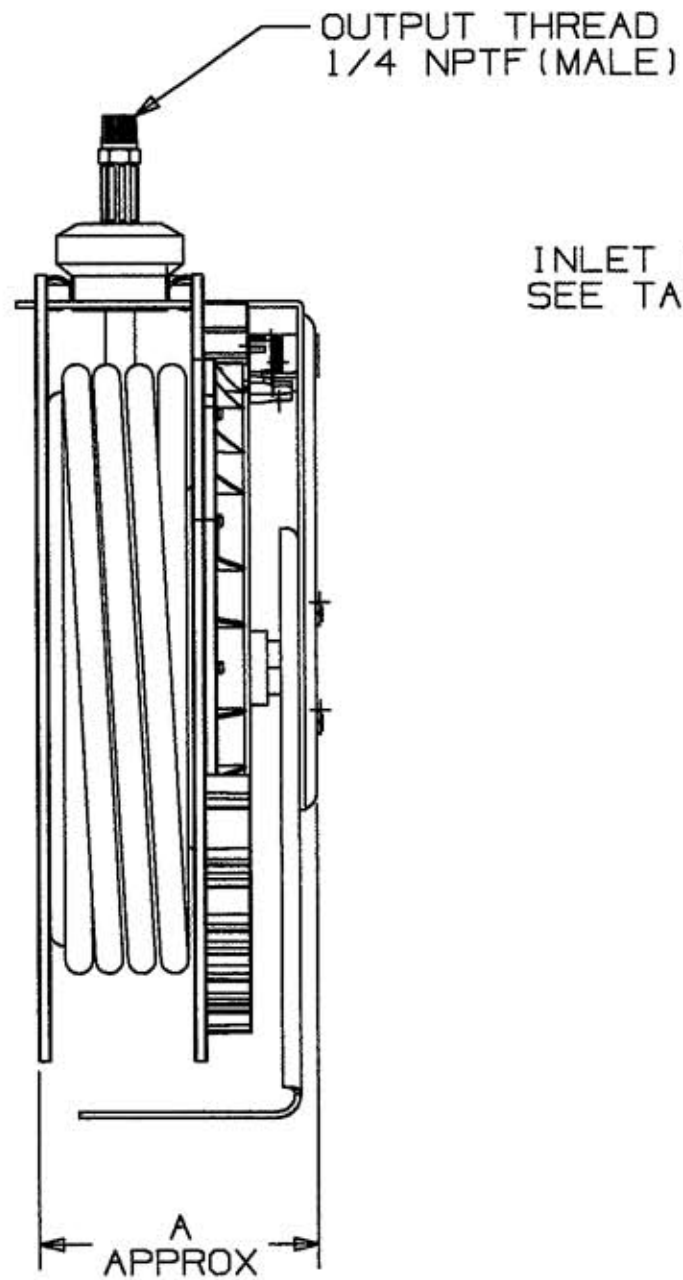


M-9997 1



CATALOG NUMBER	APPROX. WEIGHT LBS [KG]	A IN. [MM]	INLET THREAD (FEMALE)	HOSE LENGTH FT [M]
HBLHR2550C	25 [12]	5.75 [146]	3/8 NPTF	50 [15.2]
HBLHR3835C	23 [11]	5.75 [146]	3/8 NPTF	35 [10.7]
HBLHR3850C	29 [14]	6.25 [159]	1/2 NPTF	50 [15.2]

CODE 74545

LIST OF PARTS

DESCRIPTION	MATERIAL	FINISH
BASE & GUIDE ARM	STEEL	YELLOW
HOSE STOP	RUBBER	BLACK
SPOOL	COMPOSITE	BLACK
HOSE	PVC	RED

DIMENSION SHEET FOR CAT. NO. SEE TABLE

REPAIRABLE NON-REPAIRABLE

1	NEW RELEASE PER DCN 12161. ABS	FFS	2/14/06
SYM	REVISIONS	APP	DATE

THE DESIGN AND DIMENSIONS OF THE PRODUCT SHOWN ON THIS DRAWING ARE SUBJECT TO CHANGE WITHOUT NOTICE

TITLE COMMERCIAL HOSE REEL

TOLERANCES UNLESS OTHERWISE SPECIFIED	WIRING DEVICE-KELLEMS HUBBELL INCORPORATED BRIDGEPORT, CT	
FRACTIONS ± 1/64	DR. BY ABS	APP. BY FFS
DECIMALS ± .005	TR. BY	SCALE NTS
ANGLES ± 2°	CHK'D BY FFS	DATE 2/14/06

B M-9997 1