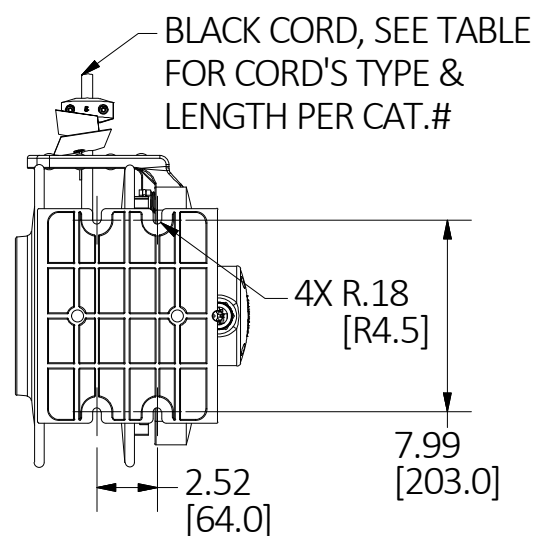
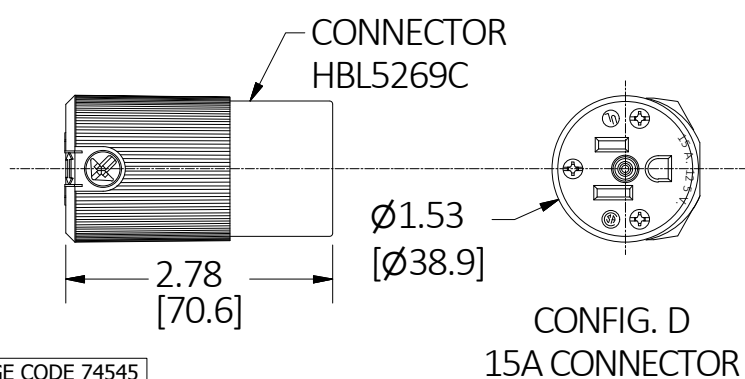


5 FT. LONG BLACK CORD  
SEE TABLE FOR CORD SIZE  
& TYPE PER CAT.#

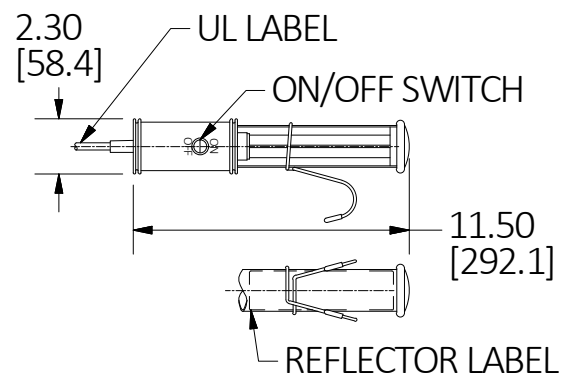


15A PLUG  
HBL5266C

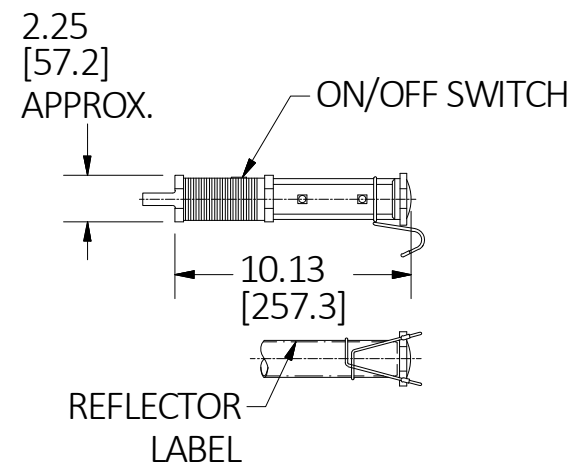
NOTES:  
1. DIMENSIONS ARE IN INCHES [mm].  
EXCEPT CORD LENGTH IN FEET.



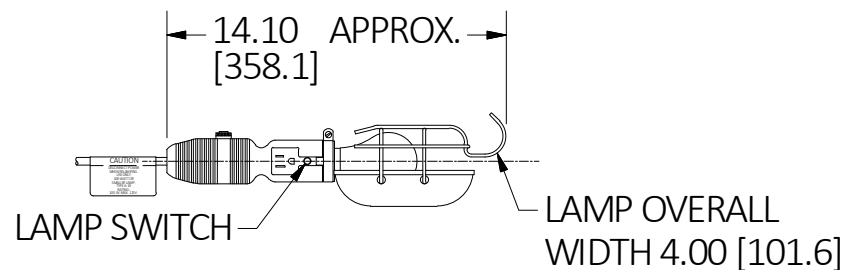
**M-13978** 1



CONFIG. C  
FLUORESCENT HAND LAMP



CONFIG. B  
LED HAND LAMP



CONFIG. A  
INCANDESCENT HAND LAMP

LIST OF PARTS

DESCRIPTION	MATERIAL	FINISH
SPOOL WITH RATCHET	ALUMINIUM	POWDER COATING
SPOOL	ALUMINIUM	POWDER COATING
WIRING CHAMBER COVER	ALUMINIUM	POWDER COATING
SPRING BOX COVER	STEEL	ZINC PLATE
CLOCKWORK SPRING	SPRING STEEL	
GUIDE ARM	ALUMINIUM	POWDER COATING
GUIDE FRAME	THERMOPLASTIC	BLACK
HARDWARE	STEEL	ZINC PLATE
SPINDLE	STEEL	ZINC PLATE
CORD	COPPER	
BALL STOPPER	THERMOPLASTIC	BLACK
INTERNAL TERMINALS	COPPER ALLOY	
FITTING	ALUMINIUM	

CATALOG	DESCRIPTION	CONFIG.	RATING	CORD LENGTH	CORD TYPE	REEL COLOR	APPROX. WEIGHT
HBLI45163IN	REEL W/ INCANDESCENT HAND LAMP, 45'	A	10A MAX. 125V	45 FT.	16/3, SJO	WHITE	22.9 LB [10.4KG]
HBLI35163IN	REEL W/ INCANDESCENT HAND LAMP, 35'	A	10A MAX. 125V	35 FT.	16/3, SJO	WHITE	22.0 LB [10.0KG]
HBLI25163IN	REEL W/ INCANDESCENT HAND LAMP, 25'	A	10A MAX. 125V	25 FT.	16/3, SJO	WHITE	21.2 LB [9.6 KG]
HBLI45163LED	REEL W/ LED HAND LAMP, 45'	B	TWO 4W, ONE 1W, 120V	45 FT.	16/3, SJO	WHITE	22.9 LB [10.4KG]
HBLI35163LED	REEL W/ LED HAND LAMP, 35'	B	TWO 4W, ONE 1W, 120V	35 FT.	16/3, SJO	WHITE	22.0 LB [10.0KG]
HBLI25163LED	REEL W/ LED HAND LAMP, 25'	B	TWO 4W, ONE 1W, 120V	25 FT.	16/3, SJO	WHITE	21.2 LB [9.6 KG]
HBLI45163FL	REEL W/ FLOURESCENT HAND LAMP, 45'	C	120V 13W	45 FT.	16/3, SJO	WHITE	22.9 LB [10.4KG]
HBLI35163FL	REEL W/ FLOURESCENT HAND LAMP, 35'	C	120V 13W	35 FT.	16/3, SJO	WHITE	22.0 LB [10.0KG]
HBLI25163FL	REEL W/ FLOURESCENT HAND LAMP, 25'	C	120V 13W	25 FT.	16/3, SJO	WHITE	21.2 LB [9.6 KG]
HBLI45143C15	REEL W/ SINGLE CONNECTOR, 45'	D	15A 125V	45 FT.	14/3, SJO	WHITE	24.0 LB [10.9 KG]
HBLI35143C15	REEL W/ SINGLE CONNECTOR, 35'	D	15A 125V	35 FT.	14/3, SJO	WHITE	22.9 LB [10.4 KG]
HBLI25143C15	REEL W/ SINGLE CONNECTOR, 25'	D	15A 125V	25 FT.	14/3, SJO	WHITE	21.8 LB [9.9 KG]
HBLI45163INY	YL REEL W/ INCANDESCENT HAND LAMP, 45'	A	10A MAX. 125V	45 FT.	16/3, SJO	YELLOW	22.9 LB [10.4KG]
HBLI35163INY	YL REEL W/ INCANDESCENT HAND LAMP, 35'	A	10A MAX. 125V	35 FT.	16/3, SJO	YELLOW	22.0 LB [10.0KG]
HBLI25163INY	YL REEL W/ INCANDESCENT HAND LAMP, 25'	A	10A MAX. 125V	25 FT.	16/3, SJO	YELLOW	21.2 LB [9.6 KG]
HBLI45163LEDY	YL REEL W/ LED HAND LAMP, 45'	B	TWO 4W, ONE 1W, 120V	45 FT.	16/3, SJO	YELLOW	22.9 LB [10.4KG]
HBLI35163LEDY	YL REEL W/ LED HAND LAMP, 35'	B	TWO 4W, ONE 1W, 120V	35 FT.	16/3, SJO	YELLOW	22.0 LB [10.0KG]
HBLI25163LEDY	YL REEL W/ LED HAND LAMP, 25'	B	TWO 4W, ONE 1W, 120V	25 FT.	16/3, SJO	YELLOW	21.2 LB [9.6 KG]
HBLI45163FLY	YL REEL W/ FLOURESCENT HAND LAMP, 45'	C	120V 13W	45 FT.	16/3, SJO	YELLOW	22.9 LB [10.4KG]
HBLI35163FLY	YL REEL W/ FLOURESCENT HAND LAMP, 35'	C	120V 13W	35 FT.	16/3, SJO	YELLOW	22.0 LB [10.0KG]
HBLI25163FLY	YL REEL W/ FLOURESCENT HAND LAMP, 25'	C	120V 13W	25 FT.	16/3, SJO	YELLOW	21.2 LB [9.6 KG]
HBLI45143C15Y	YL REEL W/ SINGLE CONNECTOR, 45'	D	15A 125V	45 FT.	14/3, SJO	YELLOW	24.0 LB [10.9 KG]
HBLI35143C15Y	YL REEL W/ SINGLE CONNECTOR, 35'	D	15A 125V	35 FT.	14/3, SJO	YELLOW	22.9 LB [10.4 KG]
HBLI25143C15Y	YL REEL W/ SINGLE CONNECTOR, 25'	D	15A 125V	25 FT.	14/3, SJO	YELLOW	21.8 LB [9.9 KG]

1	NEW RELEASE PER DCN #24214. D.LI		8/7/2018
REV	DESCRIPTION	APP	DATE

THE DESIGN AND DIMENSIONS OF THE  
PRODUCT SHOWN ON THIS DRAWING ARE  
SUBJECT TO CHANGE WITHOUT NOTICE.  
DIMENSIONS ARE IN INCHES [mm].

TITLE  
**REEL WITH HAND LAMP OR 15A  
CONNECTOR, UL TYPE 1**



WIRING DEVICE-KELLEMS  
HUBBELL INCORPORATED  
SHELTON, CT

TOLERANCES UNLESS OTHERWISE SPECIFIED .XX = ± .01 .XXX = ± .005 ANGLE TOL. ±2'	DR. BY D.LI	SCALE NONE
CHK. BY	DATE 08/06/2018	