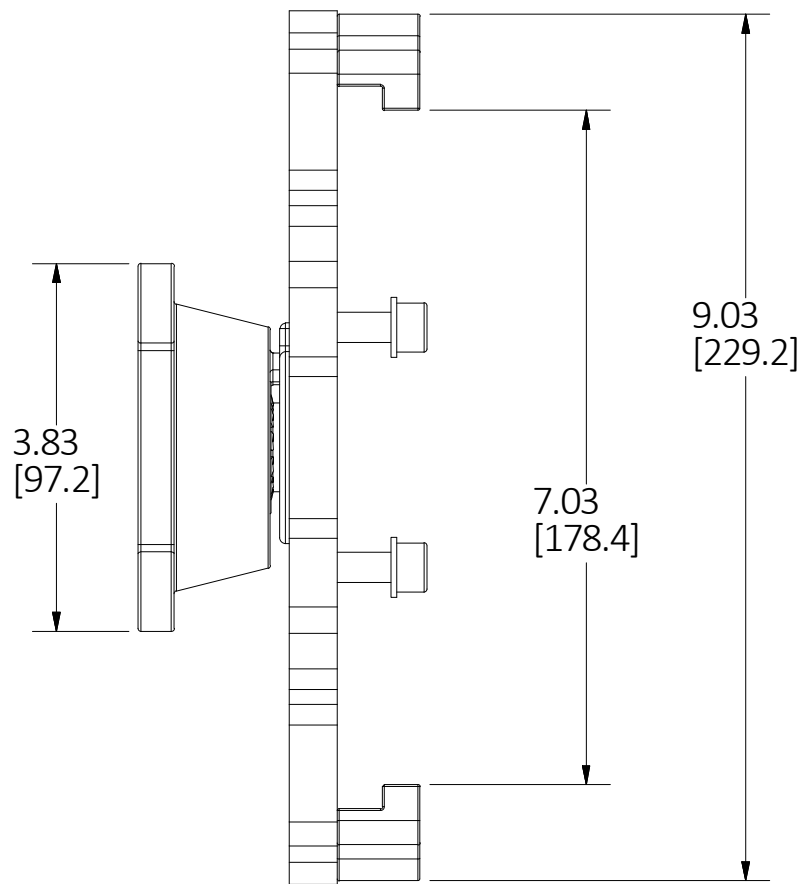
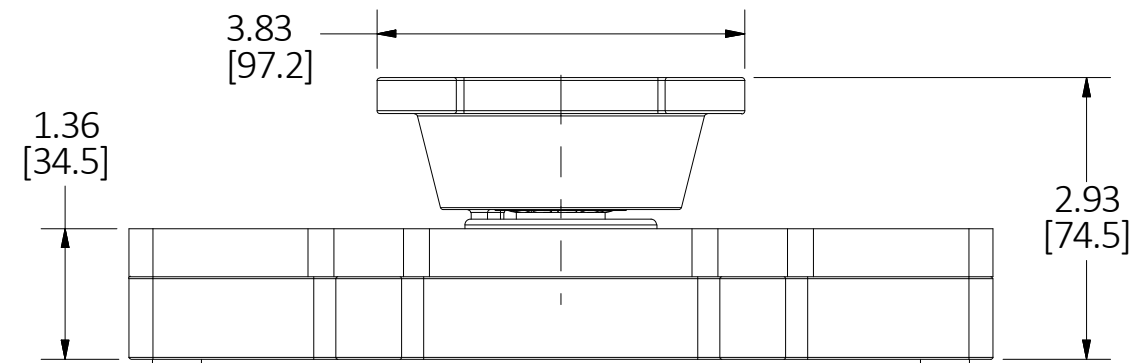
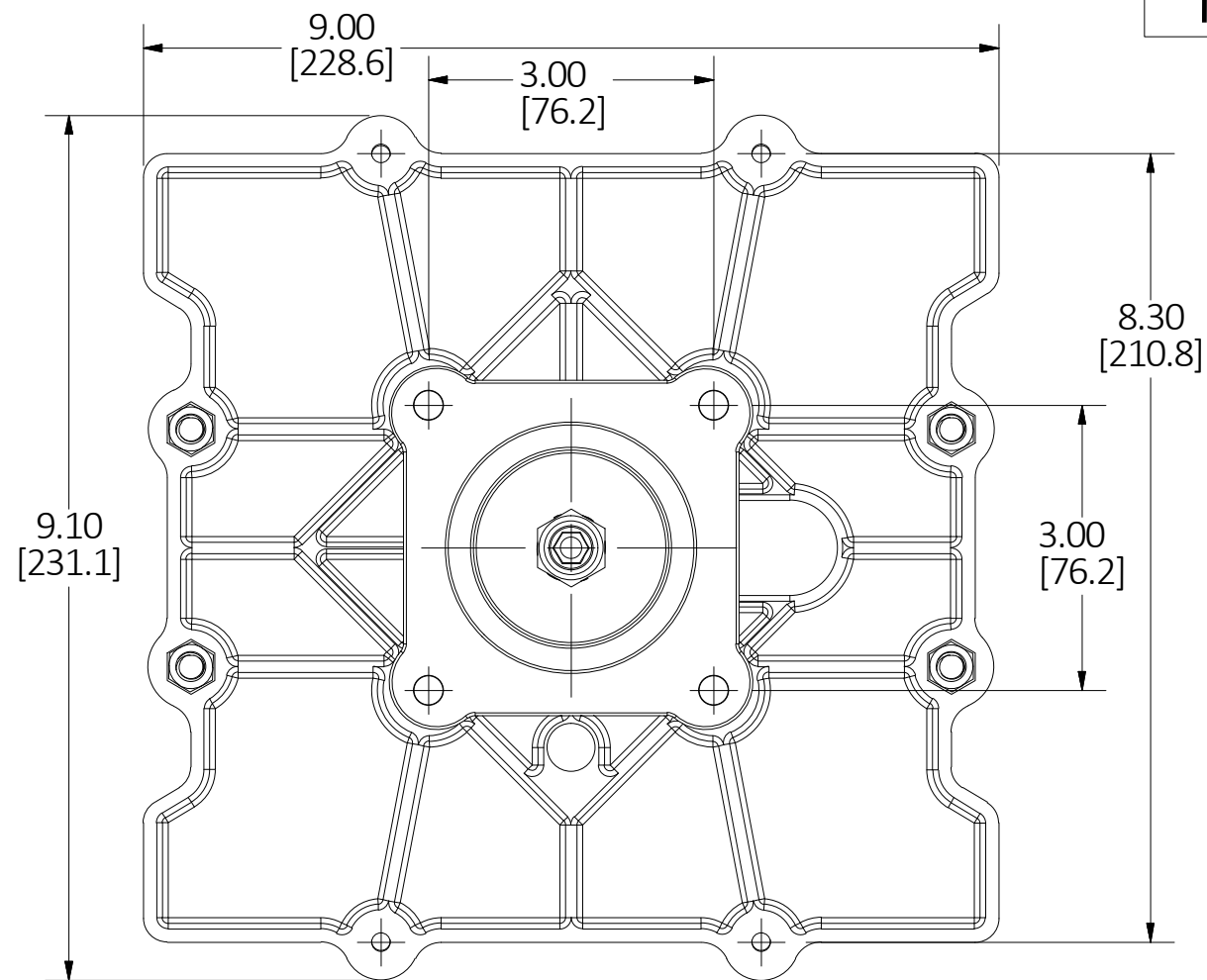
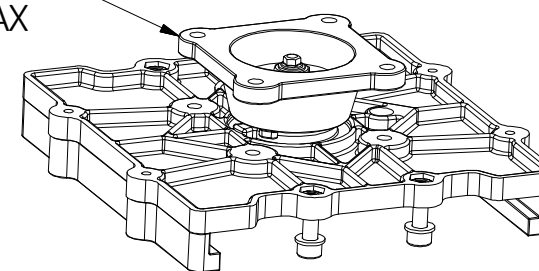


M-13976

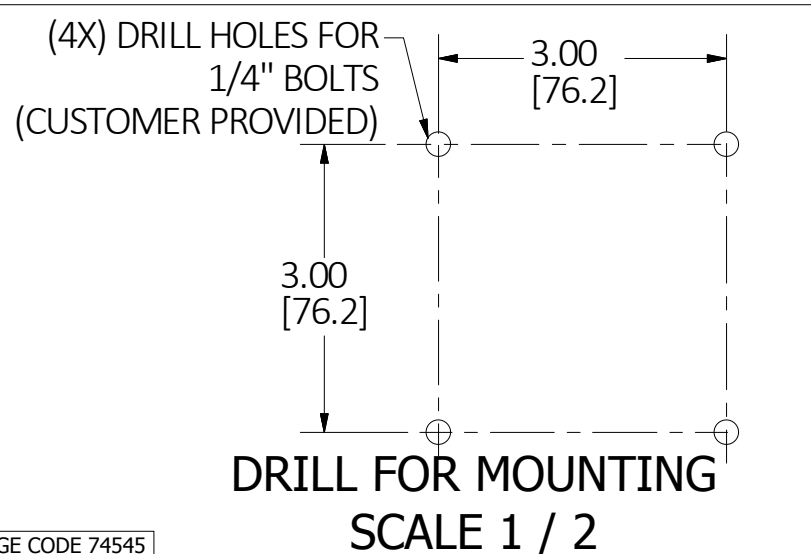
2



PIVOT BASE CAN BE ROTATED 340° MAX



ISOMETRIC VIEW
SCALE 1 / 4



NOTE:
1. PRODUCT APPROX. WEIGT 3.5 LBS.
2. DIMENSIONS ARE IN INCHES [MM]

LIST OF PARTS		
DESCRIPTION	MATERIAL	FINISH
PIVOT BASE	ALUMINIUM ALLOY	BLACK POWDER COAT
RAIL	ALUMINIUM ALLOY	BLACK POWDER COAT
MOUNTING PLATE	ALUMINIUM ALLOY	BLACK POWDER COAT
SCREWS	STEEL	ZINC PLATE
NUT	STAINLESS STEEL	
WASHER	STEEL	ZINC PLATE

REV	DESCRIPTION	APP	DATE
2	ADDED REEL SECURING HARDWARE PER DCN #24347		1/3/2019
1	NEW RELEASE PER DCN #24214. D.LI		8/6/18

THE DESIGN AND DIMENSIONS OF THE PRODUCT SHOWN ON THIS DRAWING ARE SUBJECT TO CHANGE WITHOUT NOTICE. DIMENSIONS ARE IN INCHES [mm].

TITLE
PIVOT BASE, 340 DEG, FOR CORD REEL



WIRING DEVICE-KELLEMS
HUBBELL INCORPORATED
SHELTON, CT

TOLERANCES UNLESS OTHERWISE SPECIFIED .XX = ±.01 .XXX = ±.005 ANGLE TOL. ±2'	DR. BY VD CHK. BY MA	SCALE 1:2 DATE 02/01/2018
---	-------------------------	------------------------------