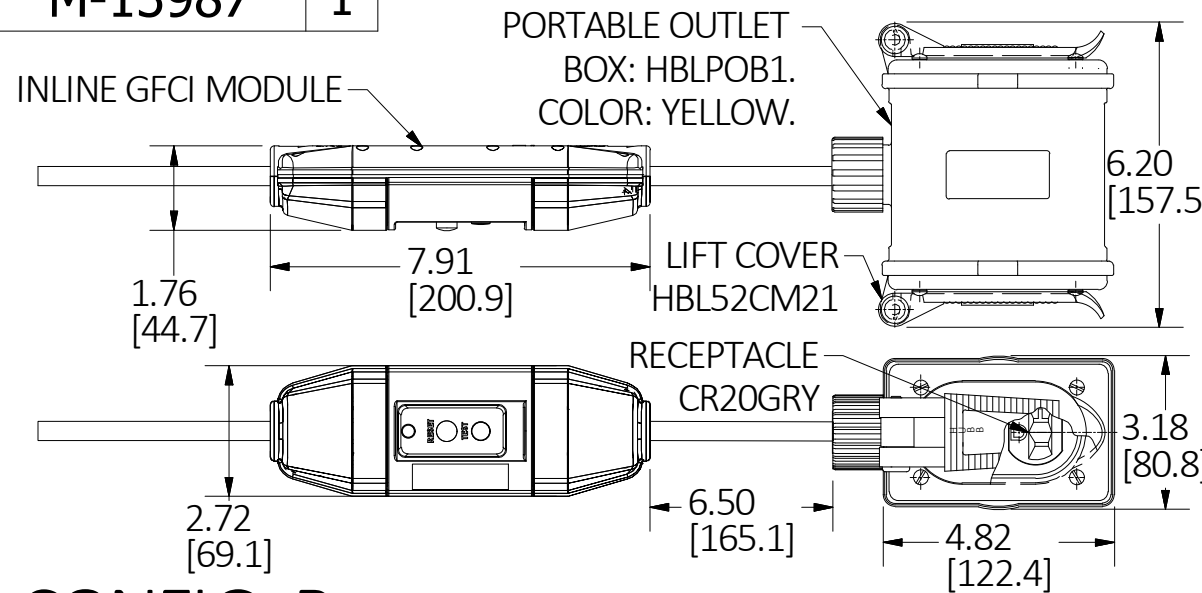
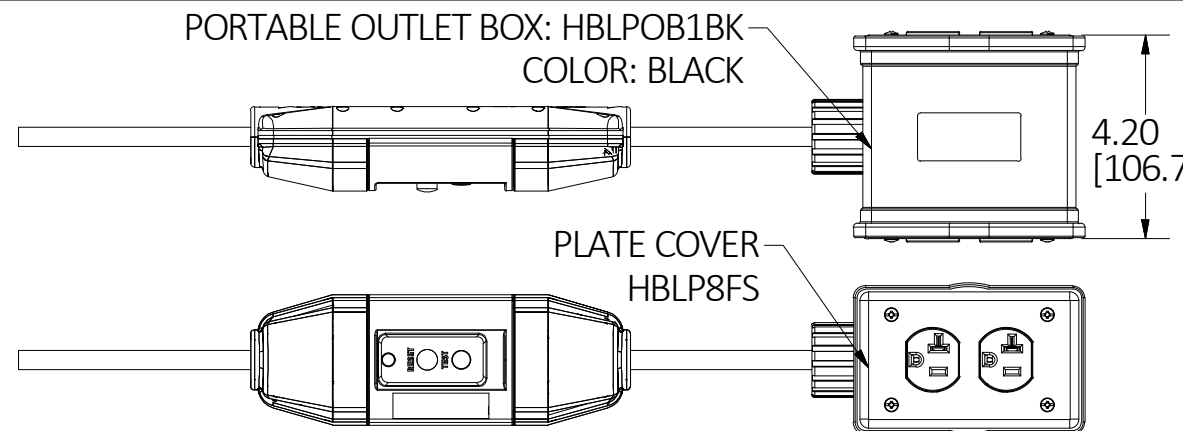


NOTES:
1. DIMENSIONS ARE IN INCHES [mm].
EXCEPT CORD LENGTH IN FEET.

M-13987 1



CONFIG. B



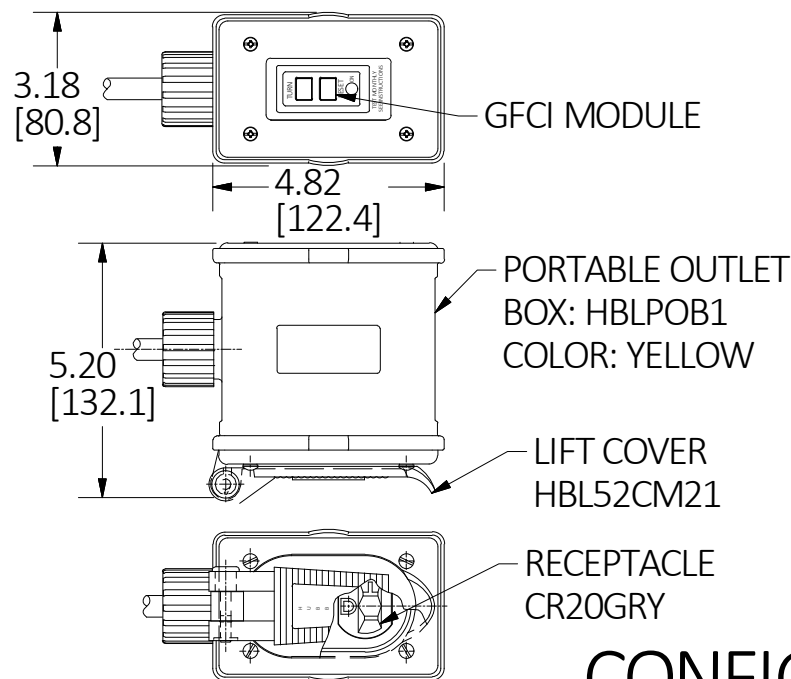
CONFIG. C

THIS CONFIG IS THE SAME AS CONFIG. B
EXCEPT FOR THE PLATE COVER AND
THE COLOR OF POB AS SHOWN

LIST OF PARTS

DESCRIPTION	MATERIAL	FINISH
SPOOL WITH RATCHET	ALUMINIUM	POWDER COATING
SPOOL	ALUMINIUM	POWDER COATING
WIRING CHAMBER COVER	ALUMINIUM	POWDER COATING
SPRING BOX COVER	STEEL	ZINC PLATE
CLOCKWORK SPRING	SPRING STEEL	
GUIDE ARM	ALUMINIUM	POWDER COATING
GUIDE FRAME	THERMOPLASTIC	BLACK
HARDWARE	STEEL	ZINC PLATE
SPINDLE	STEEL	ZINC PLATE
CORD	COPPER	
BALL STOPPER	THERMOPLASTIC	BLACK
INTERNAL TERMINALS	COPPER ALLOY	
FITTING	ALUMINIUM	

DIMENSION SHEET FOR CAT. NO. SEE TABLE



CONFIG. A

CATALOG	DESCRIPTION	CONFIG.	RATING	CORD LENGTH	REEL COLOR	APPROX. WEIGHT
HBLI45123GF20	REEL W/GFCI MOD & (1) DPLX, 45'	A	20A 125V	45 FT.	WHITE	26.5 LB [12KG]
HBLI35123GF20	REEL W/GFCI MOD & (1) DPLX, 35'	A	20A 125V	35 FT.	WHITE	24.9 LB [11.3KG]
HBLI25123GF20	REEL W/GFCI MOD & (1) DPLX, 25'	A	20A 125V	25 FT.	WHITE	23.4 LB [10.6KG]
HBLI45123GF220	REEL W/GFCI MOD & (2) DPLX, LIFT COVER 45'	B	20A 125V	45 FT.	WHITE	26.5 LB [12KG]
HBLI35123GF220	REEL W/GFCI MOD & (2) DPLX, LIFT COVER 35'	B	20A 125V	35 FT.	WHITE	24.9 LB [11.3KG]
HBLI25123GF220	REEL W/GFCI MOD & (2) DPLX, LIFT COVER 25'	B	20A 125V	25 FT.	WHITE	23.4 LB [10.6KG]
HBLI45123GF220M1	REEL W/GFCI MOD & (2) DPLX, PLATE COVER 45'	C	20A 125V	45 FT.	WHITE	26.5 LB [12KG]
HBLI35123GF220M1	REEL W/GFCI MOD & (2) DPLX, PLATE COVER 35'	C	20A 125V	35 FT.	WHITE	24.9 LB [11.3KG]
HBLI25123GF220M1	REEL W/GFCI MOD & (2) DPLX, PLATE COVER 25'	C	20A 125V	25 FT.	WHITE	23.4 LB [10.6KG]
HBLI45123GF20Y	YL REEL W/GFCI MOD & (1) DPLX, 45'	A	20A 125V	45 FT.	YELLOW	26.5 LB [12KG]
HBLI35123GF20Y	YL REEL W/GFCI MOD & (1) DPLX, 35'	A	20A 125V	35 FT.	YELLOW	24.9 LB [11.3KG]
HBLI25123GF20Y	YL REEL W/GFCI MOD & (1) DPLX, 25'	A	20A 125V	25 FT.	YELLOW	23.4 LB [10.6KG]
HBLI45123GF220Y	YL REEL W/GFCI MOD & (2) DPLX, LIFT COVER 45'	B	20A 125V	45 FT.	YELLOW	26.5 LB [12KG]
HBLI35123GF220Y	YL REEL W/GFCI MOD & (2) DPLX, LIFT COVER 35'	B	20A 125V	35 FT.	YELLOW	24.9 LB [11.3KG]
HBLI25123GF220Y	YL REEL W/GFCI MOD & (2) DPLX, LIFT COVER 25'	B	20A 125V	25 FT.	YELLOW	23.4 LB [10.6KG]
HBLI45123GF220M1Y	YL REEL W/GFCI MOD & (2) DPLX, PLATE COVER 45'	C	20A 125V	45 FT.	YELLOW	26.5 LB [12KG]
HBLI35123GF220M1Y	YL REEL W/GFCI MOD & (2) DPLX, PLATE COVER 35'	C	20A 125V	35 FT.	YELLOW	24.9 LB [11.3KG]
HBLI25123GF220M1Y	YL REEL W/GFCI MOD & (2) DPLX, PLATE COVER 25'	C	20A 125V	25 FT.	YELLOW	23.4 LB [10.6KG]

REV	DESCRIPTION	APP	DATE
1	NEW RELEASE PER DCN #24214. D.LI		8/7/2018

THE DESIGN AND DIMENSIONS OF THE
PRODUCT SHOWN ON THIS DRAWING ARE
SUBJECT TO CHANGE WITHOUT NOTICE.
DIMENSIONS ARE IN INCHES [mm].

TITLE
REEL WITH PORTABLE OUTLET BOX &
20A DUPLEX RCPT & GFCI MODULE, UL
TYPE 1



WIRING DEVICE-KELLEMS
HUBBELL INCORPORATED
SHELTON, CT

TOLERANCES UNLESS OTHERWISE SPECIFIED .XX = ±.01 .XXX = ±.005 ANGLE TOL. ±2°	DR. BY D. LI	SCALE NONE
CHK. BY	DATE 8/6/2018	

CAGE CODE 74545

B

M-13987

1