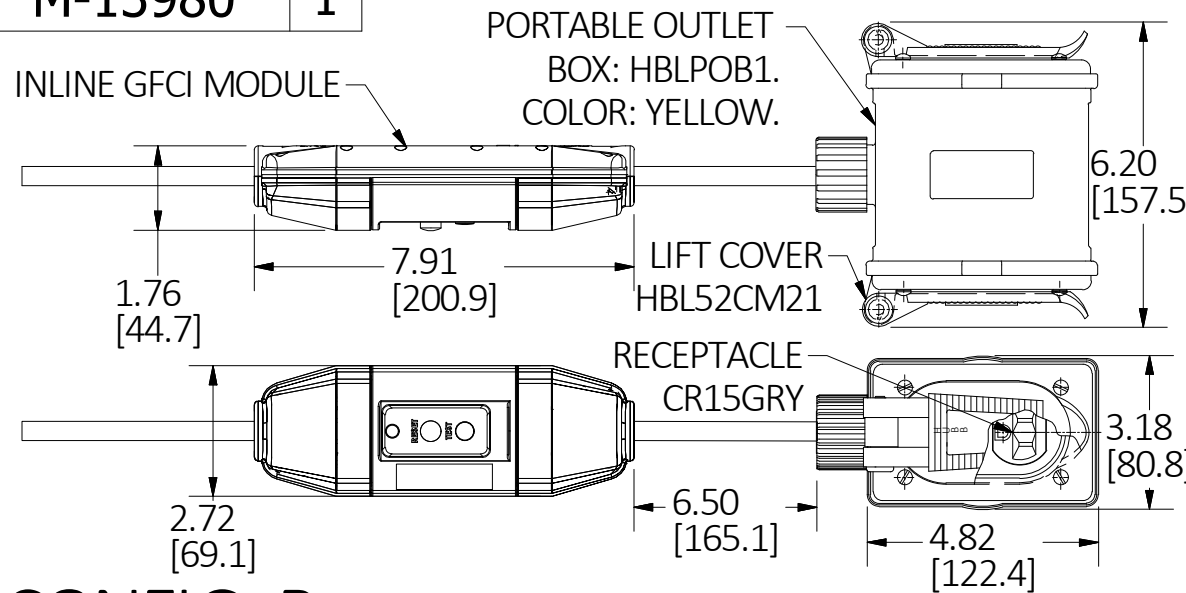
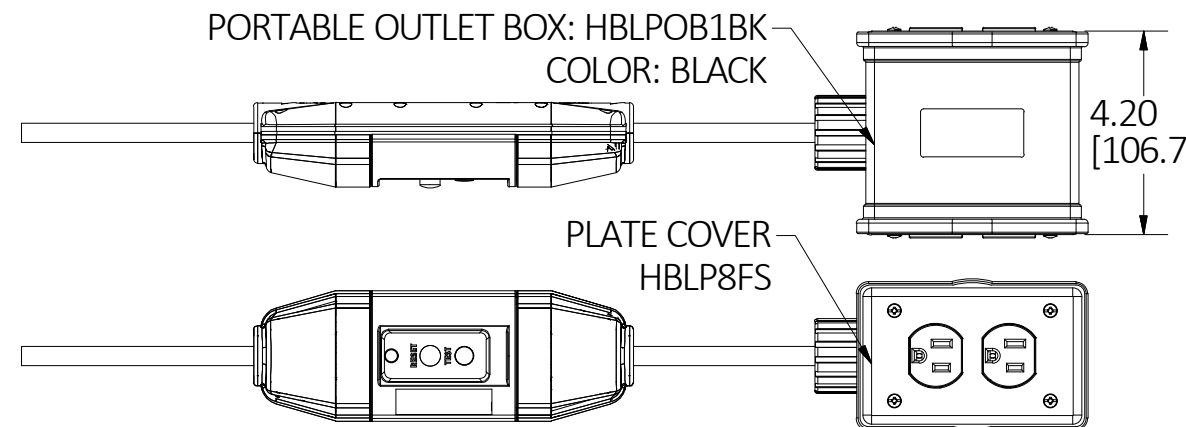


NOTES:  
1. DIMENSIONS ARE IN INCHES [mm]  
EXCEPT CORD LENGTH IN FEET.

M-13980 1



CONFIG. B

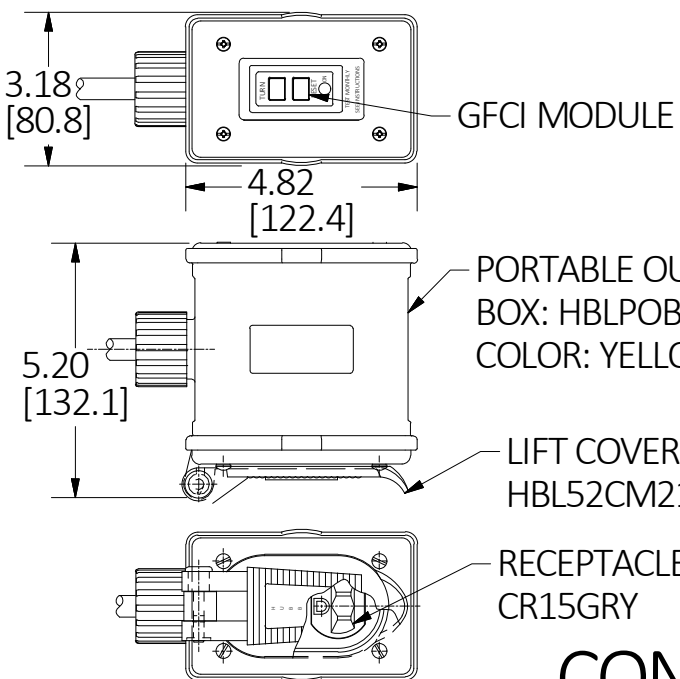


THIS CONFIG IS THE SAME AS CONFIG. B  
EXCEPT FOR THE PLATE COVER AND  
THE COLOR OF POB AS SHOWN

CONFIG. C

LIST OF PARTS

DESCRIPTION	MATERIAL	FINISH
SPOOL WITH RATCHET	ALUMINUM	POWDER COATING
SPOOL	ALUMINIUM	POWDER COATING
WIRING CHAMBER COVER	ALUMINIUM	POWDER COATING
SPRING BOX COVER	STEEL	ZINC PLATE
CLOCKWORK SPRING	SPRING STEEL	
GUIDE ARM	ALUMINUM	POWDER COATING
GUIDE FRAME	THERMOPLASTIC	BLACK
HARDWARE	STEEL	ZINC PLATE
SPINDLE	STEEL	ZINC PLATE
CORD	COPPER	
BALL STOPPER	THERMOPLASTIC	BLACK
INTERNAL TERMINALS	COPPER ALLOY	
FITTING	ALUMINUM	



CONFIG. A

CATALOG	DESCRIPTION	CONFIG.	RATING	CORD LENGTH	REEL COLOR	APPROX. WEIGHT
HBLI45143GF15	REEL W/GFCI MOD & (1) DPLX, 45'	A	15A 125V	45 FT.	WHITE	24 LB [10.9KG]
HBLI35143GF15	REEL W/GFCI MOD & (1) DPLX, 35'	A	15A 125V	35 FT.	WHITE	22.9 LB [10.4KG]
HBLI25143GF15	REEL W/GFCI MOD & (1) DPLX, 25'	A	15A 125V	25 FT.	WHITE	21.8 LB [9.9KG]
HBLI45143GF215	REEL W/GFCI MOD & (2) DPLX, LIFT COVER 45'	B	15A 125V	45 FT.	WHITE	24 LB [10.9KG]
HBLI35143GF215	REEL W/GFCI MOD & (2) DPLX, LIFT COVER 35'	B	15A 125V	35 FT.	WHITE	22.9 LB [10.4KG]
HBLI25143GF215	REEL W/GFCI MOD & (2) DPLX, LIFT COVER 25'	B	15A 125V	25 FT.	WHITE	21.8 LB [9.9KG]
HBLI45143GF215M1	REEL W/GFCI MOD & (2) DPLX, PLATE COVER 45'	C	15A 125V	45 FT.	WHITE	24 LB [10.9KG]
HBLI35143GF215M1	REEL W/GFCI MOD & (2) DPLX, PLATE COVER 35'	C	15A 125V	35 FT.	WHITE	22.9 LB [10.4KG]
HBLI25143GF215M1	REEL W/GFCI MOD & (2) DPLX, PLATE COVER 25'	C	15A 125V	25 FT.	WHITE	21.8 LB [9.9KG]
HBLI45143GF15Y	YL REEL W/GFCI MOD & (1) DPLX, 45'	A	15A 125V	45 FT.	YELLOW	24 LB [10.9KG]
HBLI35143GF15Y	YL REEL W/GFCI MOD & (1) DPLX, 35'	A	15A 125V	35 FT.	YELLOW	22.9 LB [10.4KG]
HBLI25143GF15Y	YL REEL W/GFCI MOD & (1) DPLX, 25'	A	15A 125V	25 FT.	YELLOW	21.8 LB [9.9KG]
HBLI45143GF215Y	YL REEL W/GFCI MOD & (2) DPLX, LIFT COVER 45'	B	15A 125V	45 FT.	YELLOW	24 LB [10.9KG]
HBLI35143GF215Y	YL REEL W/GFCI MOD & (2) DPLX, LIFT COVER 35'	B	15A 125V	35 FT.	YELLOW	22.9 LB [10.4KG]
HBLI25143GF215Y	YL REEL W/GFCI MOD & (2) DPLX, LIFT COVER 25'	B	15A 125V	25 FT.	YELLOW	21.8 LB [9.9KG]
HBLI45143GF215M1Y	YL REEL W/GFCI MOD & (2) DPLX, PLATE COVER 45'	C	15A 125V	45 FT.	YELLOW	24 LB [10.9KG]
HBLI35143GF215M1Y	YL REEL W/GFCI MOD & (2) DPLX, PLATE COVER 35'	C	15A 125V	35 FT.	YELLOW	22.9 LB [10.4KG]
HBLI25143GF215M1Y	YL REEL W/GFCI MOD & (2) DPLX, PLATE COVER 25'	C	15A 125V	25 FT.	YELLOW	21.8 LB [9.9KG]

REV	DESCRIPTION	APP	DATE
1	NEW RELEASE PER DCN #24214. D.LI		8/7/2018

THE DESIGN AND DIMENSIONS OF THE  
PRODUCT SHOWN ON THIS DRAWING ARE  
SUBJECT TO CHANGE WITHOUT NOTICE.  
DIMENSIONS ARE IN INCHES [mm].

TITLE  
REEL WITH PORTABLE OUTLET BOX &  
15A DUPLEX RCPT & GFCI MODULE, UL  
TYPE 1

		WIRING DEVICE-KELLEMS HUBBELL INCORPORATED SHELTON, CT	
TOLERANCES UNLESS OTHERWISE SPECIFIED .XX = ±.01 .XXX = ±.005 ANGLE TOL. ±2°	DR. BY D. LI	SCALE NONE	
CHK. BY	DATE 8/6/2018		

CAGE CODE 74545

DIMENSION SHEET FOR CAT. NO. SEE TABLE

B

M-13980

1