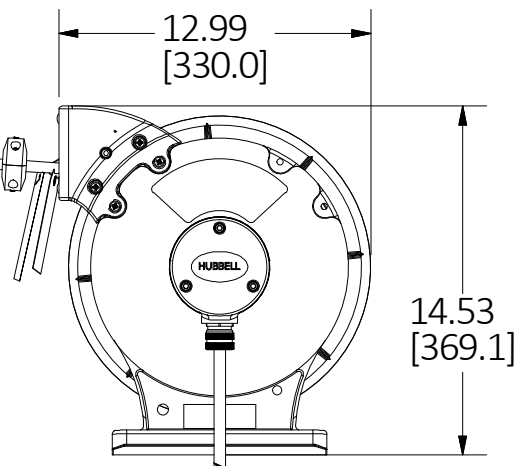
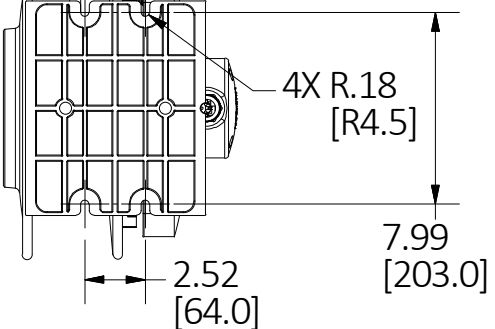


CORD ENDS CONFIG.
PER CAT.# SEE TABLE



BLACK 14/3 SJO CORD
SEE TABLE PER CAT.#
FOR CORD LENGTH.



5 FT. LONG BLACK
14/3 SJO CORD

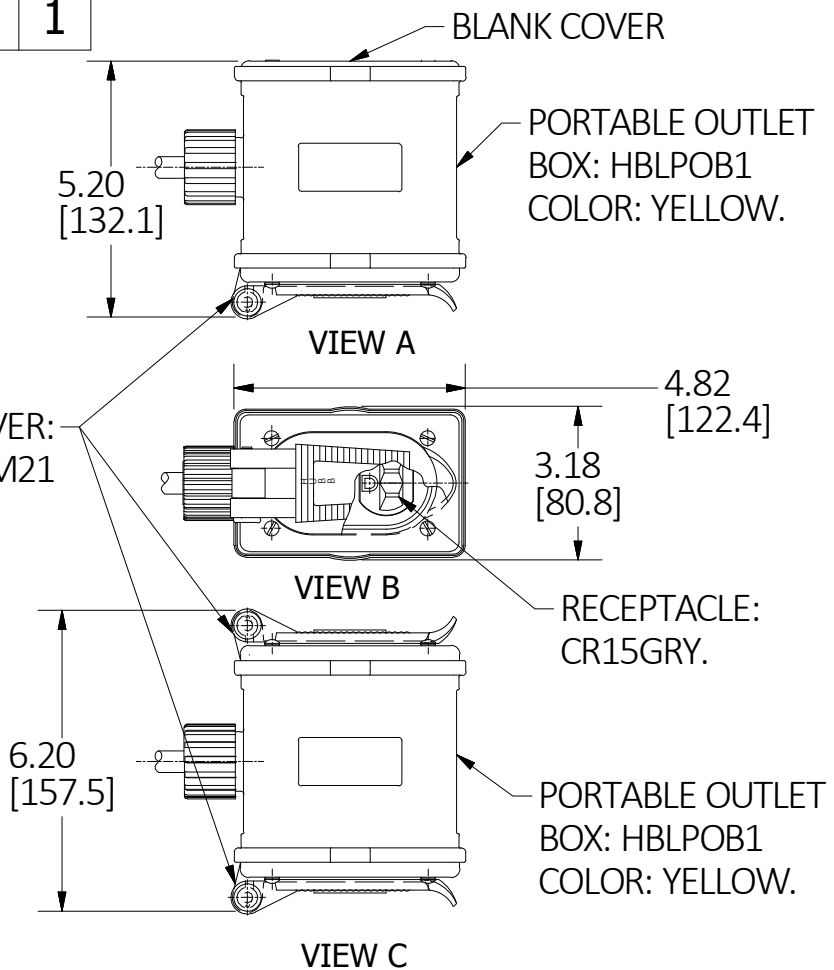
15A PLUG
HBL5266C

NOTES:
1. DIMENSIONS ARE IN INCHES [mm]
EXCEPT CORD LENGTH IN FEET.

M-13979

1

LIFT COVER:
HBL52CM21



BLANK COVER

PORTABLE OUTLET
BOX: HBLPOB1
COLOR: YELLOW.

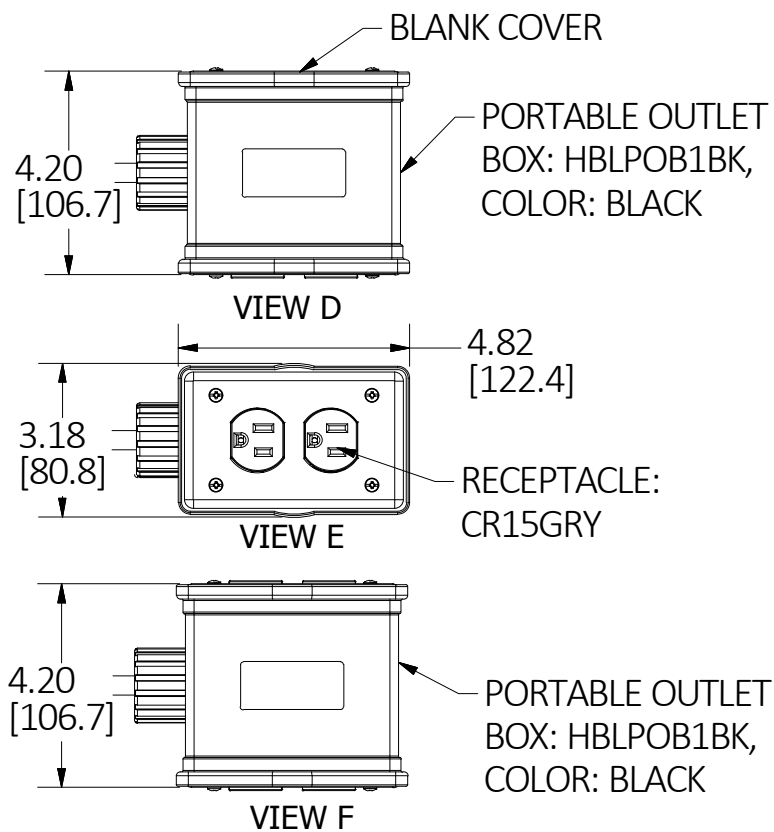
RECEPTACLE:
CR15GRY.

PORTABLE OUTLET
BOX: HBLPOB1
COLOR: YELLOW.

LIST OF PARTS

DESCRIPTION	MATERIAL	FINISH
SPOOL WITH RATCHET	ALUMINIUM	POWDER COATING
SPOOL	ALUMINIUM	POWDER COATING
WIRING CHAMBER COVER	ALUMINIUM	POWDER COATING
SPRING BOX COVER	STEEL	ZINC PLATE
CLOCKWORK SPRING	SPRING STEEL	
GUIDE ARM	ALUMINIUM	POWDER COATING
GUIDE FRAME	THERMOPLASTIC	BLACK
HARDWARE	STEEL	ZINC PLATE
SPINDLE	STEEL	ZINC PLATE
CORD	COPPER	
BALL STOPPER	THERMOPLASTIC	BLACK
INTERNAL TERMINALS	COPPER ALLOY	
FITTING	ALUMINIUM	

DIMENSION SHEET FOR CAT. NO.
SEE TABLE



BLANK COVER

PORTABLE OUTLET
BOX: HBLPOB1BK,
COLOR: BLACK

RECEPTACLE:
CR15GRY

PORTABLE OUTLET
BOX: HBLPOB1BK,
COLOR: BLACK

CATALOG	DESCRIPTION	CONFIG. TOP VIEW	CONFIG. SIDE VIEW	RATING	CORD LENGTH	REEL COLOR	APPROX. WEIGHT
HBLI45143R15	REEL W/ (1) DPLX, LIFT COVER, 45'	B	A	15A 125V	45 FT.	WHITE	24 LB [10.9KG]
HBLI35143R15	REEL W/ (1) DPLX, LIFT COVER, 35'	B	A	15A 125V	35 FT.	WHITE	22.9 LB [10.4KG]
HBLI25143R15	REEL W/ (1) DPLX, LIFT COVER, 25'	B	A	15A 125V	25 FT.	WHITE	21.8 LB [9.9KG]
HBLI45143R15M1	REEL W/ (1) DPLX, PLATE COVER, 45'	E	D	15A 125V	45 FT.	WHITE	24 LB [10.9KG]
HBLI35143R15M1	REEL W/ (1) DPLX, PLATE COVER, 35'	E	D	15A 125V	35 FT.	WHITE	22.9 LB [10.4KG]
HBLI25143R15M1	REEL W/ (1) DPLX, PLATE COVER, 25'	E	D	15A 125V	25 FT.	WHITE	21.8 LB [9.9KG]
HBLI45143R215	REEL W/ (2) DPLX, LIFT COVER, 45'	B	C	15A 125V	45 FT.	WHITE	24 LB [10.9KG]
HBLI35143R215	REEL W/ (2) DPLX, LIFT COVER, 35'	B	C	15A 125V	35 FT.	WHITE	22.9 LB [10.4KG]
HBLI25143R215	REEL W/ (2) DPLX, LIFT COVER, 25'	B	C	15A 125V	25 FT.	WHITE	21.8 LB [9.9KG]
HBLI45143R215M1	REEL W/ (2) DPLX, PLATE COVER, 45'	E	F	15A 125V	45 FT.	WHITE	24 LB [10.9KG]
HBLI35143R215M1	REEL W/ (2) DPLX, PLATE COVER, 35'	E	F	15A 125V	35 FT.	WHITE	22.9 LB [10.4KG]
HBLI25143R215M1	REEL W/ (2) DPLX, PLATE COVER, 25'	E	F	15A 125V	25 FT.	WHITE	21.8 LB [9.9KG]
HBLI45143R15Y	YL REEL W/ (1) DPLX, LIFT COVER, 45'	B	A	15A 125V	45 FT.	YELLOW	24 LB [10.9KG]
HBLI35143R15Y	YL REEL W/ (1) DPLX, LIFT COVER, 35'	B	A	15A 125V	35 FT.	YELLOW	22.9 LB [10.4KG]
HBLI25143R15Y	YL REEL W/ (1) DPLX, LIFT COVER, 25'	B	A	15A 125V	25 FT.	YELLOW	21.8 LB [9.9KG]
HBLI45143R15M1Y	YL REEL W/ (1) DPLX, PLATE COVER, 45'	E	D	15A 125V	45 FT.	YELLOW	24 LB [10.9KG]
HBLI35143R15M1Y	YL REEL W/ (1) DPLX, PLATE COVER, 35'	E	D	15A 125V	35 FT.	YELLOW	22.9 LB [10.4KG]
HBLI25143R15M1Y	YL REEL W/ (1) DPLX, PLATE COVER, 25'	E	D	15A 125V	25 FT.	YELLOW	21.8 LB [9.9KG]
HBLI45143R215Y	YL REEL W/ (2) DPLX, LIFT COVER, 45'	B	C	15A 125V	45 FT.	YELLOW	24 LB [10.9KG]
HBLI35143R215Y	YL REEL W/ (2) DPLX, LIFT COVER, 35'	B	C	15A 125V	35 FT.	YELLOW	22.9 LB [10.4KG]
HBLI25143R215Y	YL REEL W/ (2) DPLX, LIFT COVER, 25'	B	C	15A 125V	25 FT.	YELLOW	21.8 LB [9.9KG]
HBLI45143R215M1Y	YL REEL W/ (2) DPLX, PLATE COVER, 45'	E	F	15A 125V	45 FT.	YELLOW	24 LB [10.9KG]
HBLI35143R215M1Y	YL REEL W/ (2) DPLX, PLATE COVER, 35'	E	F	15A 125V	35 FT.	YELLOW	22.9 LB [10.4KG]
HBLI25143R215M1Y	YL REEL W/ (2) DPLX, PLATE COVER, 25'	E	F	15A 125V	25 FT.	YELLOW	21.8 LB [9.9KG]

1	NEW RELEASE PER DCN #24214. D.LI		8/7/2018
REV	DESCRIPTION	APP	DATE

THE DESIGN AND DIMENSIONS OF THE
PRODUCT SHOWN ON THIS DRAWING ARE
SUBJECT TO CHANGE WITHOUT NOTICE.
DIMENSIONS ARE IN INCHES [mm].

TITLE
**REEL WITH PORTABLE OUTLET BOX &
15A DUPLEX RCPT, UL TYPE 1**

HUBBELL WIRING DEVICE-KELLEMS
HUBBELL INCORPORATED
SHELTON, CT

TOLERANCES UNLESS OTHERWISE SPECIFIED
.XX = ±.01
.XXX = ±.005
ANGLE TOL. ±2°

DR. BY D. LI SCALE NONE
CHK. BY DATE 8/6/2018