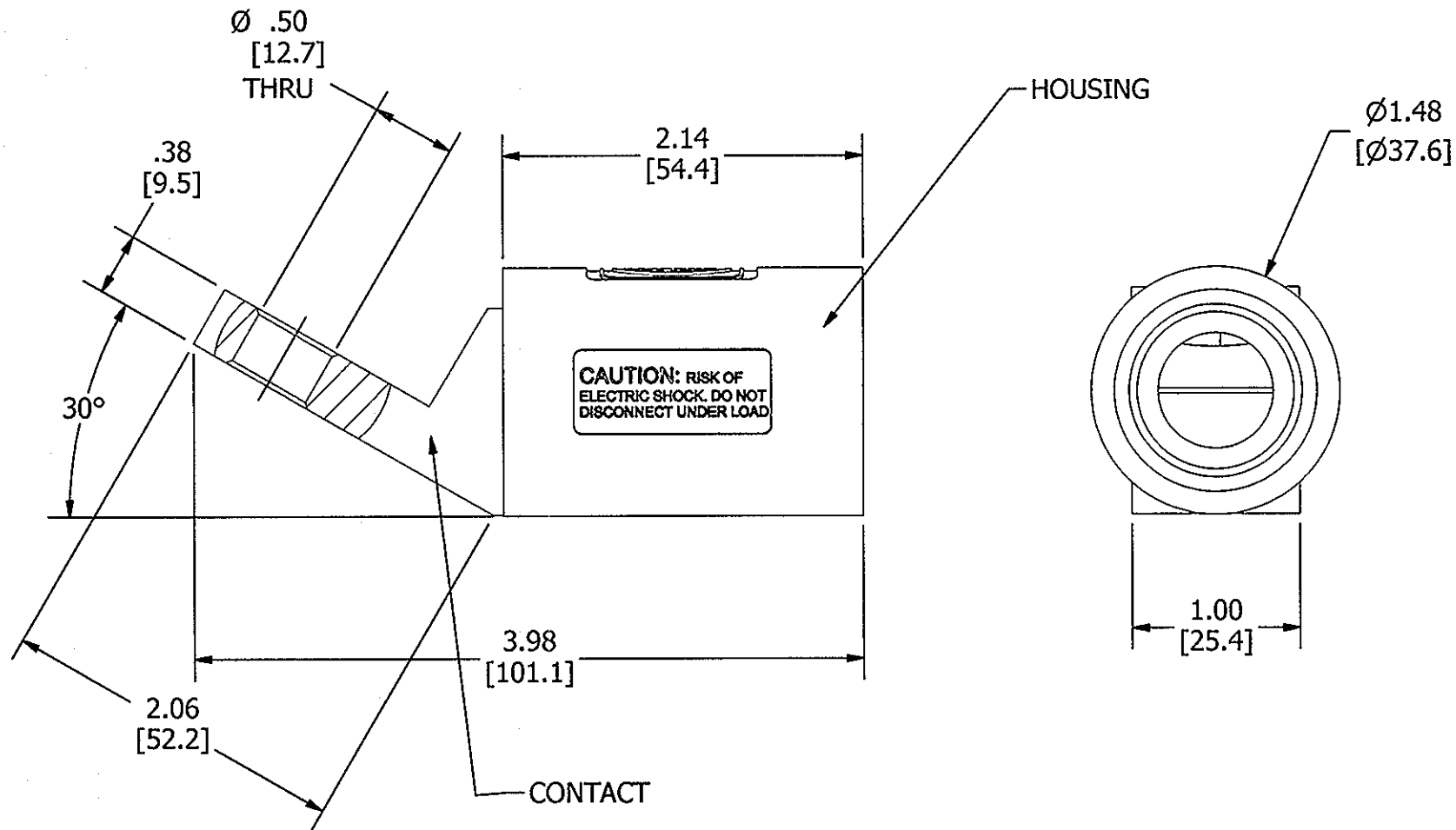


M-13374

1



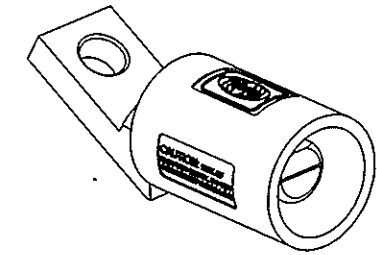
**NOTES:**

1. DIMENSIONS ARE IN INCHES ±.02 [mm] ±.5
2. RATING: 600VAC/250VDC, 400 AMP.
3. UL/c-ul SEE INSTRUCTION SHEET.

HUBBELL CAT. NO	COLOR
HBLMOABK	BLACK
HBLMOABL	BLUE
HBLMOABN	BROWN
HBLMOAGN	GREEN
HBLMOAO	ORANGE
HBLMOAR	RED
HBMOAW	WHITE
HBLMOAY	YELLOW

**LIST OF PARTS**

DESCRIPTION	MATERIAL	FINISH
HOUSING	TPE	SEE TABLE
CONTACT	BRASS	



1/2 SCALE SHOWN

1	RELEASED PER DCN# 22075 CAC	CAC TLS	05/16/16
SYM	DESCRIPTION	APPROVED	DATE

THE DESIGN AND DIMENSIONS OF THE PRODUCT SHOWN ON THIS DRAWING ARE SUBJECT TO CHANGE WITHOUT NOTICE

**TITLE**  
SINGLE POLE  
OFFSET ANGLED MALE RECEPTACLE  
W/BUS BAR

TOLERANCES UNLESS OTHERWISE SPECIFIED FRACTIONS ± 1/64 DECIMALS ± .030 ANGLES ± 2°	WIRING DEVICE-KELLEMS HUBBELL INCORPORATED SHELTON, CT			
	DR. BY	CAC	APP. BY	TLS
	TR. BY		SCALE	1:1
	CHK'D BY	TLS	DATE	4/6/2016

DIMENSION SHEET FOR CAT. NO. M-13374  
 REPAIRABLE  NON-REPAIRABLE   
 B  
 M-13374  
 1