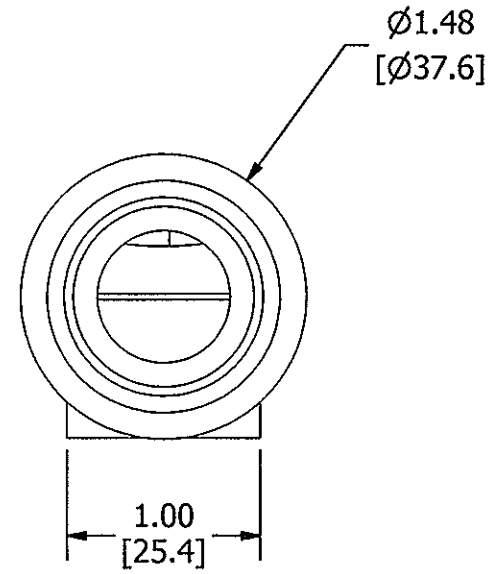
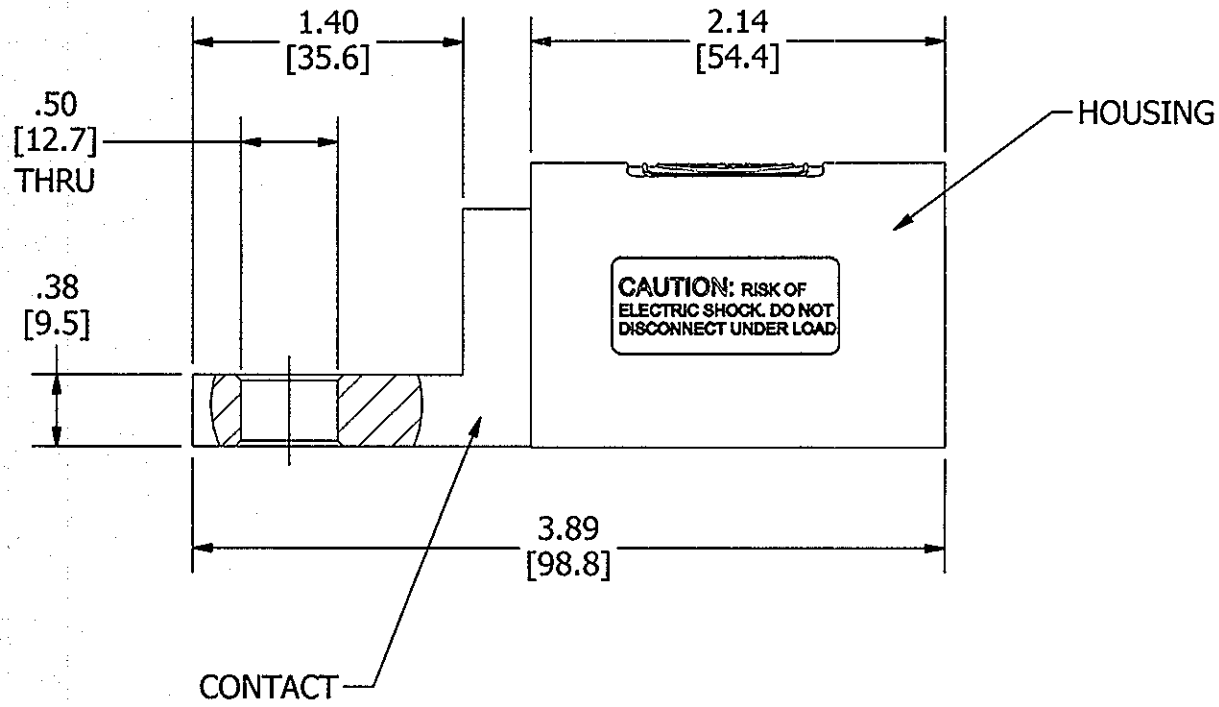
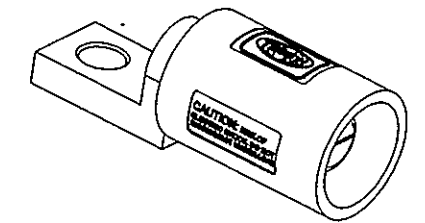


M-13372

1



LIST OF PARTS		
DESCRIPTION	MATERIAL	FINISH
HOUSING	TPE	SEE TABLE
CONTACT	BRASS	



1/2 SCALE SHOWN

- NOTES:**
- DIMENSIONS ARE IN INCHES ±.02 [mm] ±.5
  - RATING: 600VAC/250VDC, 400 AMP.
  - UL/c-ul SEE INSTRUCTION SHEET.

HUBBELL CAT. NO	COLOR
HBLMOSBK	BLACK
HBLMOSBL	BLUE
HBLMOSBN	BROWN
HBLMOSGN	GREEN
HBLMOSO	ORANGE
HBLMOSR	RED
HBLMOSW	WHITE
HBLMOSY	YELLOW

1	RELEASED PER DCN# 22075 CAC	CAC TLS	04/28/16
SYM	DESCRIPTION	APPROVED	DATE

THE DESIGN AND DIMENSIONS OF THE PRODUCT SHOWN ON THIS DRAWING ARE SUBJECT TO CHANGE WITHOUT NOTICE

**TITLE**  
SINGLE POLE  
OFFSET STRAIGHT MALE RECEPTACLE  
W/BUS BAR

TOLERANCES UNLESS OTHERWISE SPECIFIED FRACTIONS ± 1/64 DECIMALS ± .030 ANGLES ± 2°	WIRING DEVICE-KELLEMS HUBBELL INCORPORATED SHELTON, CT			
	DR. BY	CAC	APP. BY	TLS
	TR. BY		SCALE	1:1
	CHK'D BY	TLS	DATE	4/6/2016

DIMENSION SHEET FOR CAT. NO. M-13372  
 REPAIRABLE  NON-REPAIRABLE   
 B  
 1