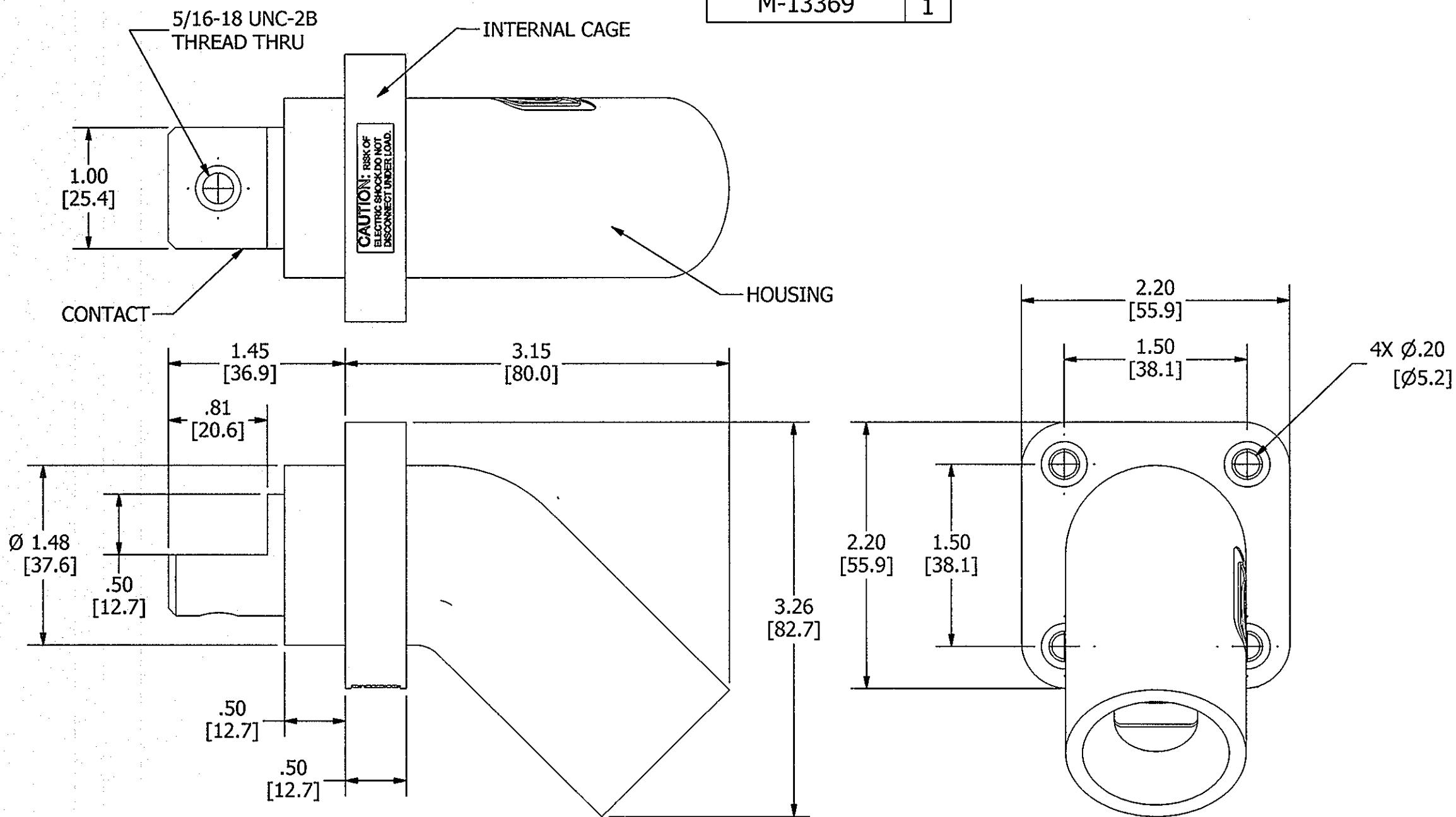


M-13369

1



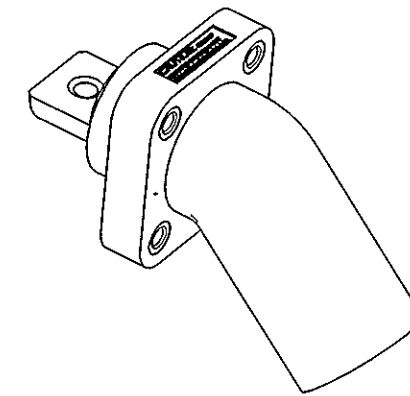
NOTES:

1. DIMENSIONS ARE IN INCHES ±.02 [mm] ±.5
2. RATING: 600VAC/250VDC, 400 AMP.
3. UL/c-UI ENCLOSURE TYPES 3R, 4X, 12, SEE INSTRUCTION SHEET.

| HUBBELL CAT. NO | COLOR |
|-----------------|--------|
| HBLMRABBK | BLACK |
| HBLMRABBL | BLUE |
| HBLMRABBN | BROWN |
| HBLMRABGN | GREEN |
| HBLMRABO | ORANGE |
| HBLMRABR | RED |
| HBLMRABW | WHITE |
| HBLMRABY | YELLOW |

LIST OF PARTS

| DESCRIPTION | MATERIAL | FINISH |
|---------------|----------|-----------|
| HOUSING | TPE | SEE TABLE |
| CONTACT | BRASS | |
| INTERNAL CAGE | NYLON | |
| | | |
| | | |
| | | |
| | | |
| | | |
| | | |
| | | |
| | | |
| | | |
| | | |
| | | |
| | | |
| | | |
| | | |
| | | |
| | | |
| | | |
| | | |



1/2 SCALE SHOWN

| | | | |
|-----|--------------------------------|------------|----------|
| 1 | RELEASED PER DCN# 22075 CAC | CAC TLS | 04/28/16 |
| SYM | DESCRIPTION | APPROVED | DATE |

THE DESIGN AND DIMENSIONS OF THE PRODUCT SHOWN ON THIS DRAWING ARE SUBJECT TO CHANGE WITHOUT NOTICE

TITLE
SINGLE POLE
ANGLED MALE RECEPTACLE
W/BUS BAR

| | | | |
|---------------------------------------|--------|--|-------------------|
| TOLERANCES UNLESS OTHERWISE SPECIFIED | | WIRING DEVICE-KELLEMS HUBBELL INCORPORATED SHELTON, CT | |
| FRACTIONS | ± 1/64 | DR. BY | CAC APP. BY TLS |
| DECIMALS | ± .030 | TR. BY | SCALE 1:1 |
| ANGLES | ± 2° | CHK'D BY | TLS DATE 4/6/2016 |

DIMENSION SHEET FOR CAT. NO. M-13369
 REPAIRABLE NON-REPAIRABLE