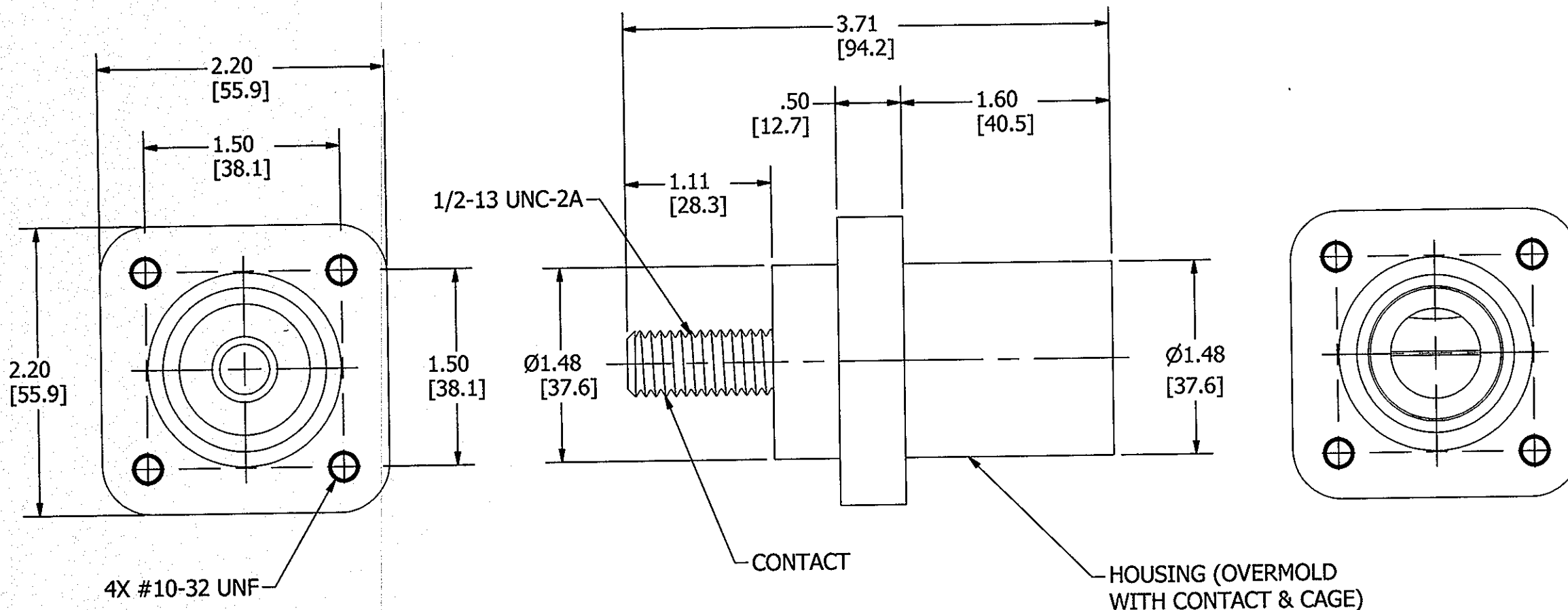
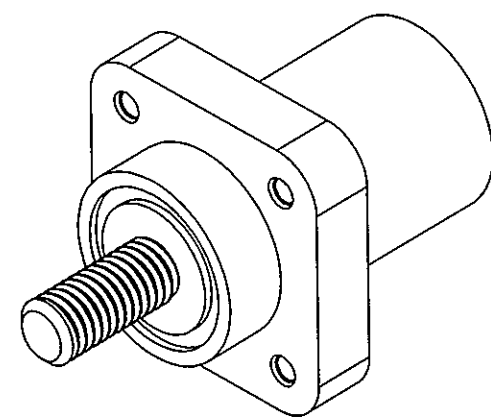


M-10553

3



LIST OF PARTS		
DESCRIPTION	MATERIAL	FINISH
HOUSING	TPE	SEE TABLE
CONTACT	BRASS	
CAGE	NYLON	BLACK
INSERT	BRASS	



**CATALOG NO. HBLMRSCBK
(NOT SHOWN TO SCALE)**

3	REDRAWN WITH EMBEDDED CAD MODEL WITH NO CHANGES TO PART GEOMETRY. PER DCN 21895 SPN	DJP	2/5/16
REV	DESCRIPTION	APP	DATE

THE DESIGN AND DIMENSIONS OF THE PRODUCT SHOWN ON THIS DRAWING ARE SUBJECT TO CHANGE WITHOUT NOTICE

TITLE
SINGLE POLE MALE RECEPTACLE W/STUD

TOLERANCES UNLESS OTHERWISE SPECIFIED .XX = ± .01 .XXX = ± .005 ANGLES = ± 2°	WIRING DEVICE-KELLEMS HUBBELL INCORPORATED SHELTON, CT			
	DR. BY	RCM	APP. BY	DJP
	TR. BY		SCALE	1:1
	CHK. BY	DJP	DATE	6/19/07

HUBBELL CAT. NO.	COLOR
HBLMRSCBK	BLACK
HBLMRSCW	WHITE
HBLMRSCGN	GREEN
HBLMRSCR	RED
HBLMRSCBL	BLUE
HBLMRSCO	ORANGE
HBLMRSCBN	BROWN
HBLMRSCY	YELLOW

- NOTES:
- DIMENSIONS ARE IN INCHES ± .02 [mm] ± .5
 - RATING : 600VAC/250VDC 400 AMP.
 - UL/c-UL ENCLOSURE TYPES 3R, 4X, 12, SEE INSTRUCTION SHEET.

DIMENSION SHEET FOR CAT. NO. **M-10553**
 REPAIRABLE NON-REPAIRABLE
B
3