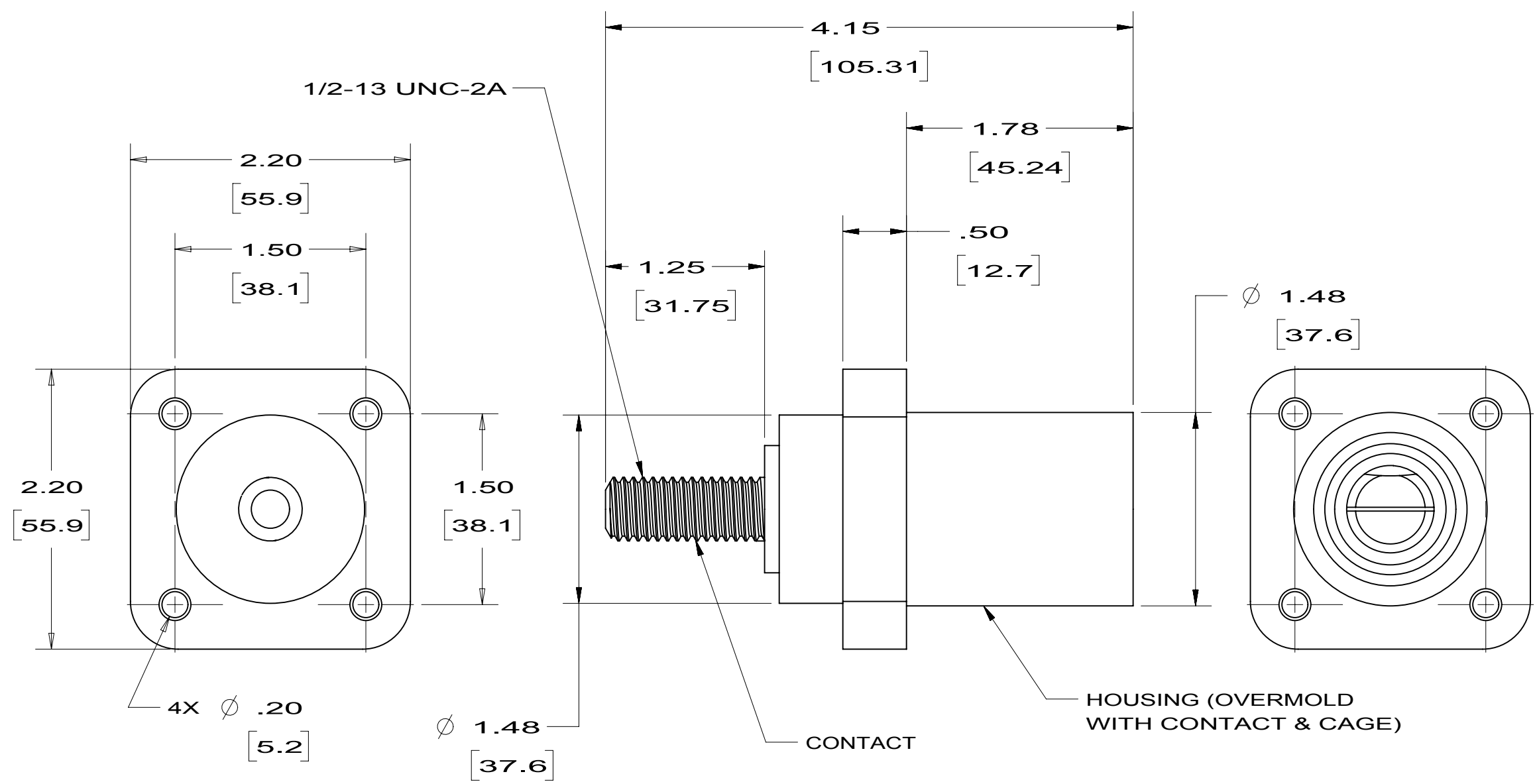
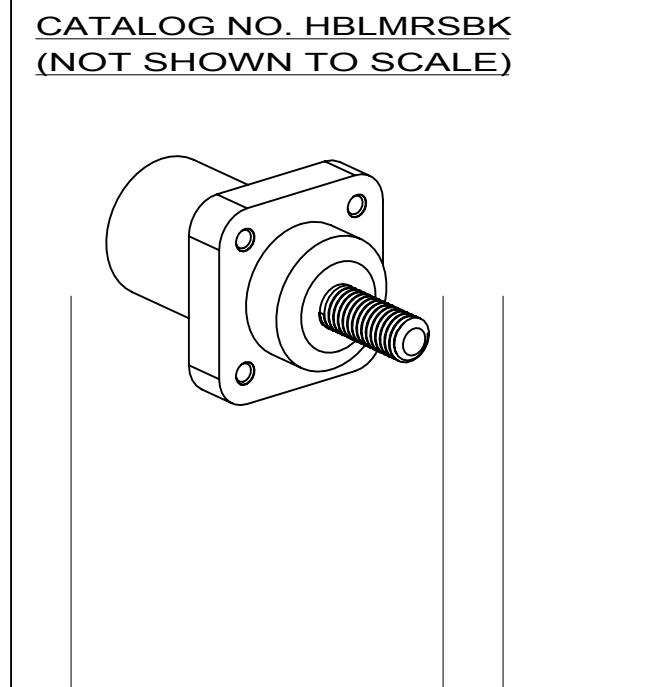


M-8921 5



LIST OF PARTS		
DESCRIPTION	MATERIAL	FINISH
HOUSING	TPE	SEE TABLE
CONTACT	BRASS	
CAGE	NYLON	BLACK



SYM	REVISIONS	APP	DATE
5	REVISED NOTE 2 FROM 600VAC/250VDC TO 600V PER DCN 23410 RGP	RGP	11/01/17
4	REDRAWN WITH EMBEDDED CAD MODEL WITH NO CHANGES TO PART GEOMETRY PER DCN 21895 SPN	DJP	2/5/16

NOTES:
 1. DIMENSIONS ARE INCHES ±.02 [mm] ±.5
 2. RATING: 600V 400 AMP.
 3. UL/c-UL ENCLOSURE TYPES 3R, 4X, 12, SEE INSTRUCTION SHEET

HUBBELL CAT. NO.	COLOR
HBLMRSBK	BLACK
HBLMRSW	WHITE
HBLMRSGN	GREEN
HBLMRSR	RED
HBLMRSBL	BLUE
HBLMRSO	ORANGE
HBLMRSBN	BROWN
HBLMRSY	YELLOW

THE DESIGN AND DIMENSIONS OF THE PRODUCT SHOWN ON THIS DRAWING ARE SUBJECT TO CHANGE WITHOUT NOTICE

TITLE
 SINGLE POLE MALE RECEPTACLE W/STUD

TOLERANCES UNLESS OTHERWISE SPECIFIED	WIRING DEVICE-KELLEMS HUBBELL INCORPORATED SHELTON, CT	
.XX = ± .01	DR. BY MJM	APP. BY TWB
.XXX = ± .005	TR. BY	SCALE 1:1
ANGLES = ± 2°	CHK. BY TWB	DATE 6/11/03

DIMENSION SHEET FOR CAT. NO. M-8921
 REPAIRABLE NON-REPAIRABLE
 B
 M-8921
 5