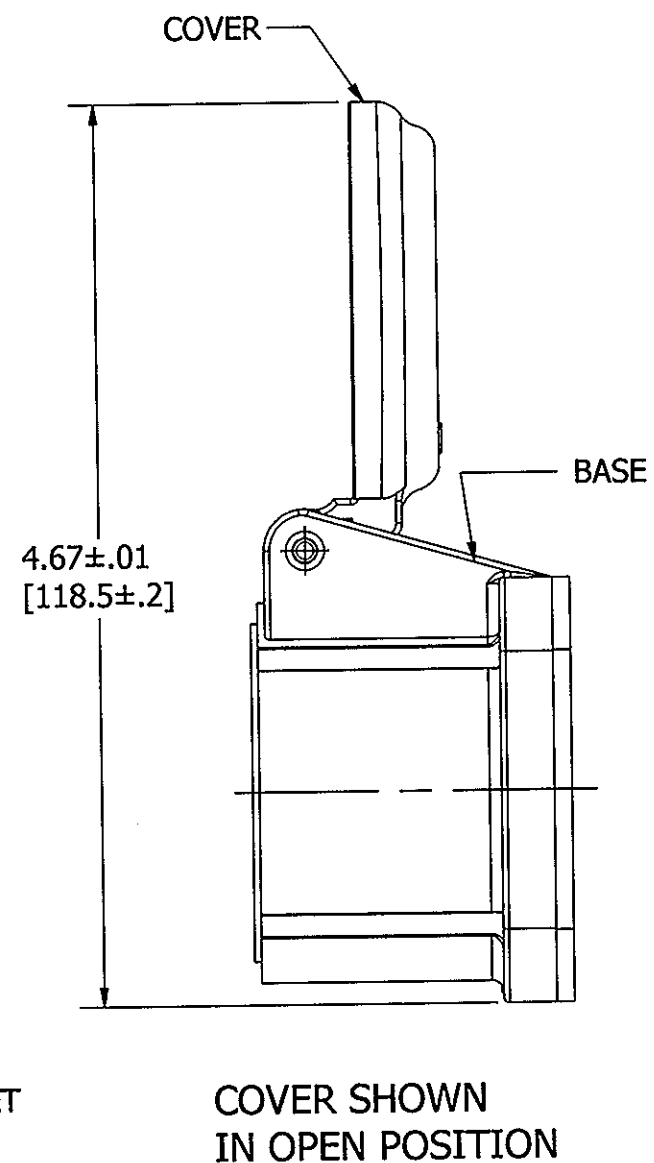
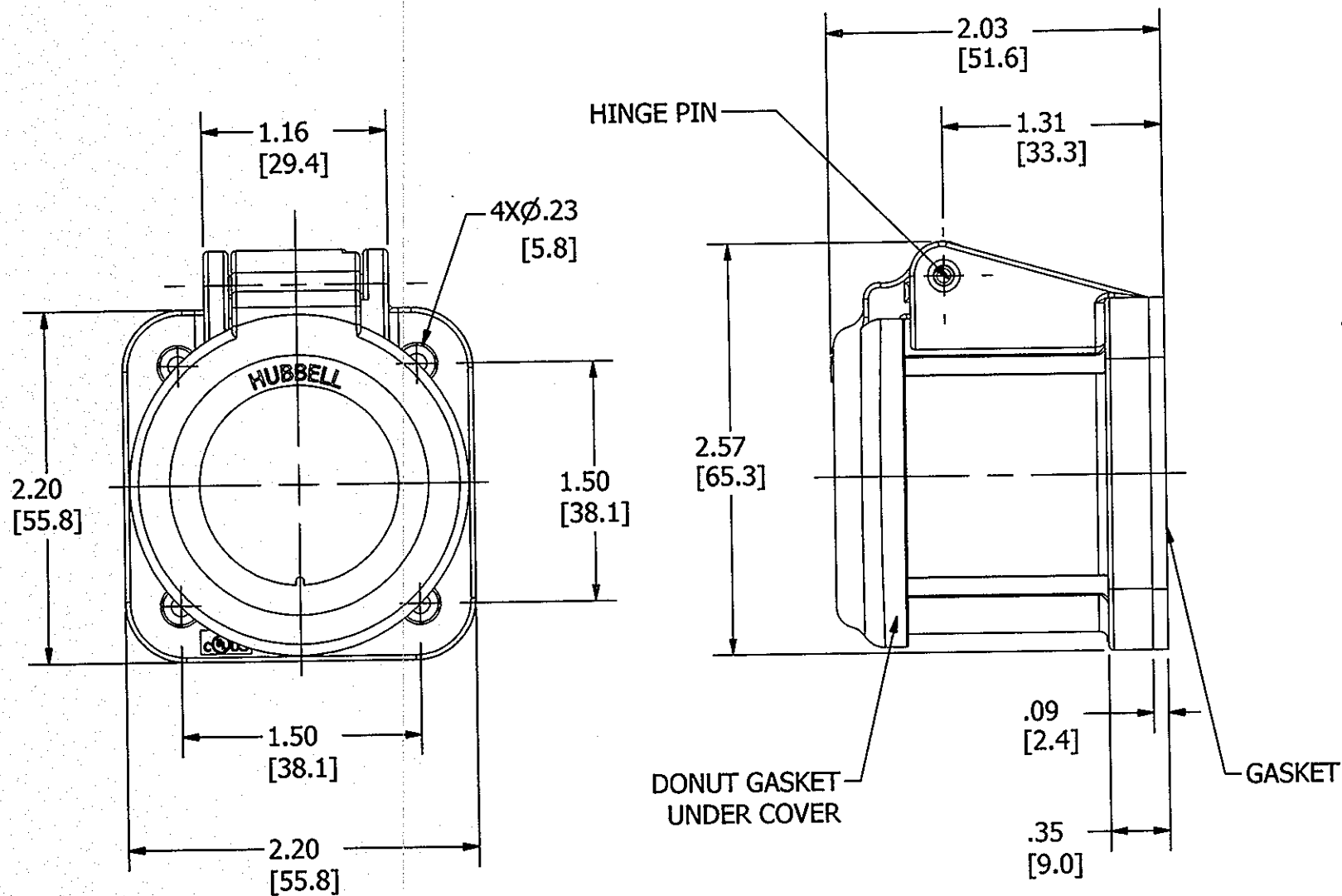
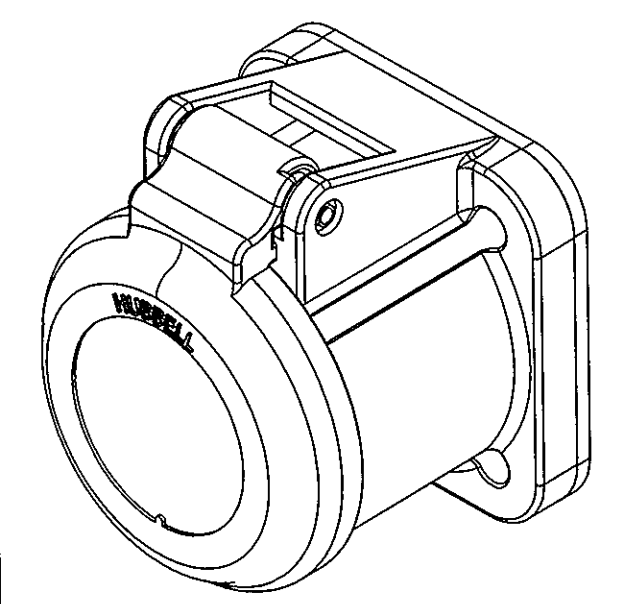


M-12243

3



LIST OF PARTS		
DESCRIPTION	MATERIAL	FINISH
BASE	POLYESTER/PC	GRAY/CLEAR
COVER	NYLON/PC	SEE TABLE
GASKETS	NEOPRENE	BLACK
SPRING	STAINLESS STEEL	
HINGE PIN	STAINLESS STEEL	



**CATALOG NO: HBLNCBK  
(NOT SHOWN TO SCALE)**

- NOTES:**
1. DIMENSIONS ARE IN INCHES ± .02 [mm] ± .5
  2. UL/c-UL ENCLOSURE TYPES 3, 3S, 3R, SEE INSTRUCTION SHEET.
  3. MAXIMUM PANEL THICKNESS 1/4"(6.3MM).
  4. SUITABLE FOR USE WITH HBLMRSCxx, HBLMRSxx, HBLFRSCxx, HBLFRSxx, HBLMRxx, HBLFRxx, HBLMRBxx, AND HBLFRBxx.
  5. SUGGESTED MOUNTING SCREWS #10 (NOT PROVIDED).

CATALOG NO.	COVER COLOR
HBLNCBK	BLACK
HBLNCW	WHITE
HBLNCGN	GREEN
HBLNCR	RED
HBLNCBL	BLUE
HBLNCBN	BROWN
HBLNCO	ORANGE
HBLNCY	YELLOW
HBLNCC	CLEAR

3	REDRAWN WITH EMBEDDED CAD MODEL WITH NO CHANGES TO PART GEOMETRY. PER DCN 21895 SPN	DJP	2/5/16
REV	DESCRIPTION	APP	DATE

THE DESIGN AND DIMENSIONS OF THE PRODUCT SHOWN ON THIS DRAWING ARE SUBJECT TO CHANGE WITHOUT NOTICE

TITLE  
WEATHERPROOF COVER SINGLE POLE  
300A & 400A

TOLERANCES UNLESS OTHERWISE SPECIFIED .XX = ± .01 .XXX = ± .005 ANGLES = ± 2°	WIRING DEVICE-KELLEMS HUBBELL INCORPORATED SHELTON, CT	
	DR. BY CAC	APP. BY
	TR. BY	SCALE 1:1
	CHK. BY	DATE 1/31/12

DIMENSION SHEET FOR CAT. NO. M-12243  
 REPAIRABLE  NON-REPAIRABLE   
 SEE TABLE  
 B  
 3