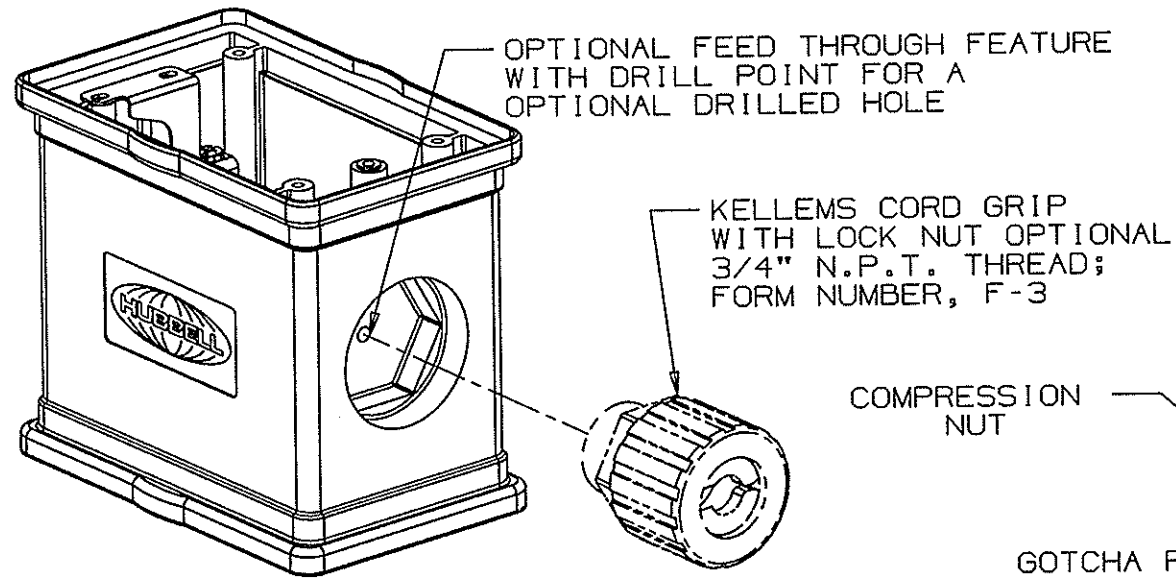
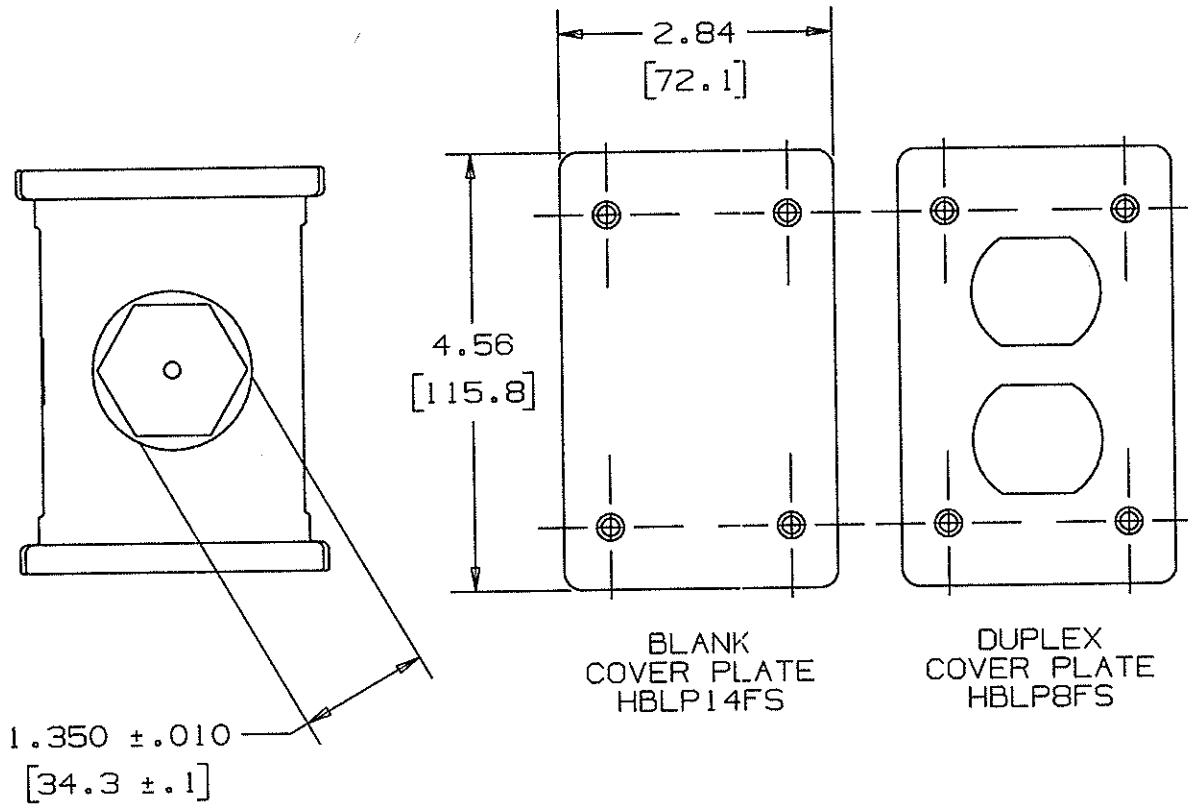
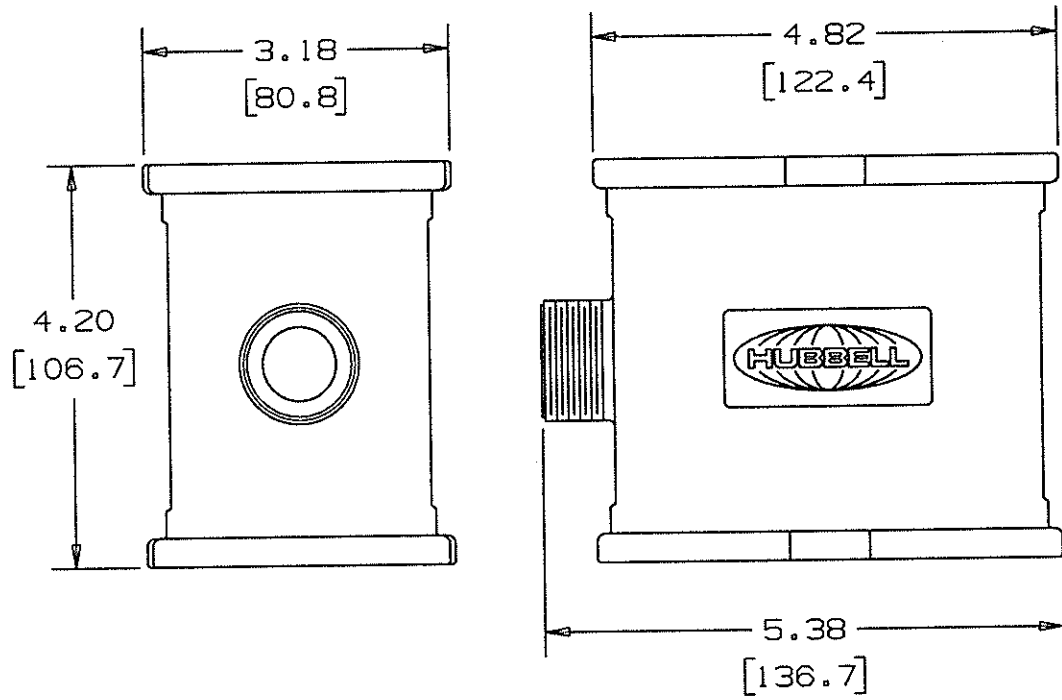


M-7652

6



NOTES: (UNLESS OTHERWISE SPECIFIED)
 1. DIMENSIONS ARE IN UNITS OF INCH/[mm]
 2. TOLERANCE ON 2 PLACE DECIMALS IS ± .02

LIST OF PARTS

DESCRIPTION	MATERIAL	FINISH
PORTABLE OUTLET BOX	PBTP	SEE TABLE
COVER PLATE, DUPLEX	PBTP	SEE TABLE
COVER PLATE, BLANK*	PBTP	SEE TABLE
COMPRESSION NUT	NYLON	SEE TABLE
GOTCHA RING	NYLON	GRAY
GOTCHA RING	NYLON	BLUE
GOTCHA RING	NYLON	BROWN
GROMMET	RUBBER	BLACK
GROMMET	RUBBER	BLACK
GROMMET	RUBBER	BLACK
BONDING PLATE ASSY	BRASS	
GROUND SCREW	BRASS	
WIRE CLAMPING NUT	STEEL	NICKEL
INSERT	BRASS	
GASKET*	FOAM	
SCREWS	ST STEEL	

6	DIM. 1.350 WAS 1.35 ADDED ±.010. MOVED FINISH OF OUTLET BOX, COVER PLATES AND COMPRESSION NUT TO TABLE. TABLE ADDED HBLPOB1BK BOX COLOR, COMP NUT COLOR, AND COVER PLATE COLOR. ADDED NOTES 1 AND 2 PER DCN 18477 SPN	DJP	11/15/11
5	REVISED ALL INCH DIMS TO 2 DECIMAL PLACES, METRIC DIM'S REVISED TO 1 PLACE DECIMALS PER DCN 11119 MYA	RDK	8/26/03
4	12/03/01 ADDED PART NO'S TO PLATES. ADDED N.P.T. CALLOUT FOR CORD GRIP. MODIFIED TITLE. PER DCN 9129 SPN	TCM	12/03/01
3	BONDING PLATE ASY. MATERIAL "BRASS" WAS "STEEL" & DELETED "GALVANIZED" FROM FINISH COLUMN PER DCN #4751-1. DJG	MRM	12-6-96
2	RELEASED FOR PRODUCTION PER DCN #4443. DJG	KRR	9-13-96
1	"X" REMOVED PER EC 3921	KRR	7-12-96
SYM	REVISIONS	APP	DATE

THE DESIGN AND DIMENSIONS OF THE PRODUCT SHOWN ON THIS DRAWING ARE SUBJECT TO CHANGE WITHOUT NOTICE

TITLE
 PORTABLE OUTLET BOX

CAT NO.	PLATES	GOTCHA RINGS	GROMMETS	SCREWS	GASKETS	UL	CSA	BOX COLOR	COMPRESSION NUT COLOR	COVER PLATE COLOR
HBLPOB1	1 BLANK*	3 SIZES	3 SIZES	4	1	YES	YES	MATTE YELLOW	GRAY	MATTE GRAY
HBLPOB1D	2 DUPLEX	3 SIZES	3 SIZES	8	0	YES	YES	MATTE YELLOW	GRAY	MATTE GRAY
HBLPOB1BK	1 BLANK*	3 SIZES	3 SIZES	4	1	YES	YES	MATTE BLACK	BLACK	MATTE BLACK

TOLERANCES UNLESS OTHERWISE SPECIFIED FRACTIONS ± 1/64 DECIMALS ± .005 ANGLES ± 2'	WIRING DEVICE-KELLEMS HUBBELL INCORPORATED BRIDGEPORT, CT	
	DR. BY KRR	APP. BY KRR
	TR. BY	SCALE 1/2
	CHK'D BY KRR	DATE 7/12/96