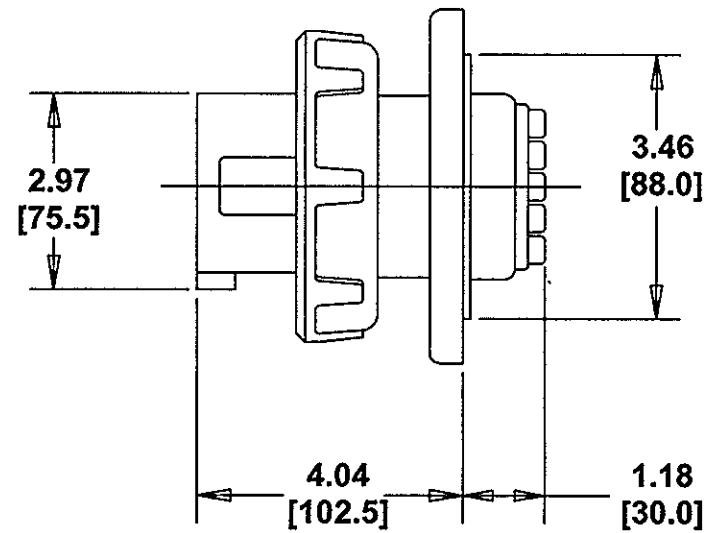
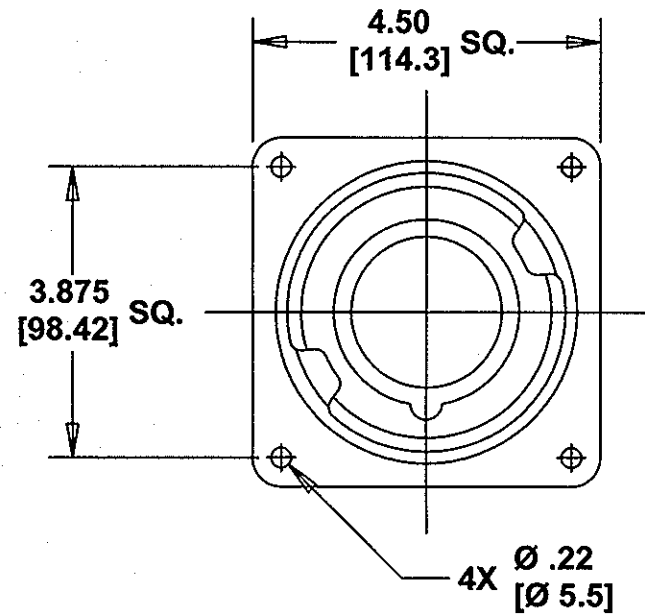


**M-6062** 5



LIST OF PARTS

DESCRIPTION	MATERIAL	FINISH
HOUSING	SEE TABLE	
GASKET	NEOPRENE	
LOCK RING	POLYESTER	
INTERIOR	THERMOSET	
PINS	BRASS	
TERMINAL SCREWS	ST. STEEL	
FLANGE	NYLON	
ASSEMBLY SCREWS	ST. STEEL	

DIMENSION SHEET FOR CAT. NO. SEE TABLE

WHD 2/24/16

CAT. NO.	CONFIGURATION	RATING	COMMENTS	HOUSING		CAT. NO.	CONFIGURATION	RATING	COMMENTS	HOUSING	
				MATERIAL	COLOR					MATERIAL	COLOR
HBL360B4W		60 A 125 VAC		NYLON	YELLOW	HBL360B7W		60 A 480 VAC		NYLON	RED
HBL360B4W		60 A 125 VAC		PBT	YELLOW	HBL360B7W		60 A 480 VAC		PBT	RED
HBL360B4WP		60 A 125 VAC A600 CONTACT		PBT	YELLOW	HBL360B7WP		60 A 480 VAC A600 CONTACT		PBT	RED
HBL360B6W		60 A 250 VAC		NYLON	BLUE						
HBL360B6W				PBT	BLUE						
HBL363B6W		60 A 250 VAC 63 A 220-240 VAC		NYLON	BLUE						
HBL360B6WP				PBT	BLUE						

5	ADDED ALL HBLs CAT. NO's PER DCN 21767 WHD	WHD	1/25/16
4	ADDED CAT. HBL360B8WDC TO TABLE, CORRECTED RATING ON HBL360B7W 60A 480V WAS VDC PER DCN 17679 MYA	TLS	7/19/11
3	REDRAWN ON CAD WITH CHANGES. ADDED NOTES 1 & 2, "HOUSING" AND "COMMENTS" COLUMNS TO TABLE, AND RATINGS FOR CAT. NO. HBL363B6W. "Ø" WAS "DIA." AND "[XX.X]" WAS "MM". REMOVED CAT. NO.'S 360B3W & 360B9W FROM TABLE. IN LIST OF PARTS, "SEE TABLE" WAS "NYLON" AND "NEOPRENE" WAS "RUBBER". .22 DIM. WAS 7/32. SUPERSEDES DWG. DATED 4/28/80 PER DCN #12944. JMN	DJP	6/14/06
SYM	REVISIONS	APP	DATE

REPAIRABLE  NON-REPAIRABLE  B

THE DESIGN AND DIMENSIONS OF THE PRODUCT SHOWN ON THIS DRAWING ARE SUBJECT TO CHANGE WITHOUT NOTICE

TITLE **60A & 63A 2 POLE 3 WIRE PIN AND SLEEVE INLETS**

**M-6062**

NOTES (UNLESS OTHERWISE SPECIFIED)  
 1) TOLERANCES ARE:  
 DECIMALS ± .03  
 ANGLES ± 2°  
 2) DIMENSIONS ARE: INCHES [MILLIMETERS]

TOLERANCES UNLESS OTHERWISE SPECIFIED	WIRING DEVICE—KELLEMS HUBBELL INCORPORATED SHELTON, CT	
FRACTIONS ± 1/64	DR. BY <b>WTC</b>	APP. BY <b>DJP</b>
DECIMALS ± .005	TR. BY <b>JMN</b>	SCALE <b>NONE</b>
ANGLES ± 2°	CHK'D BY <b>DJP</b>	DATE <b>6/14/06</b>