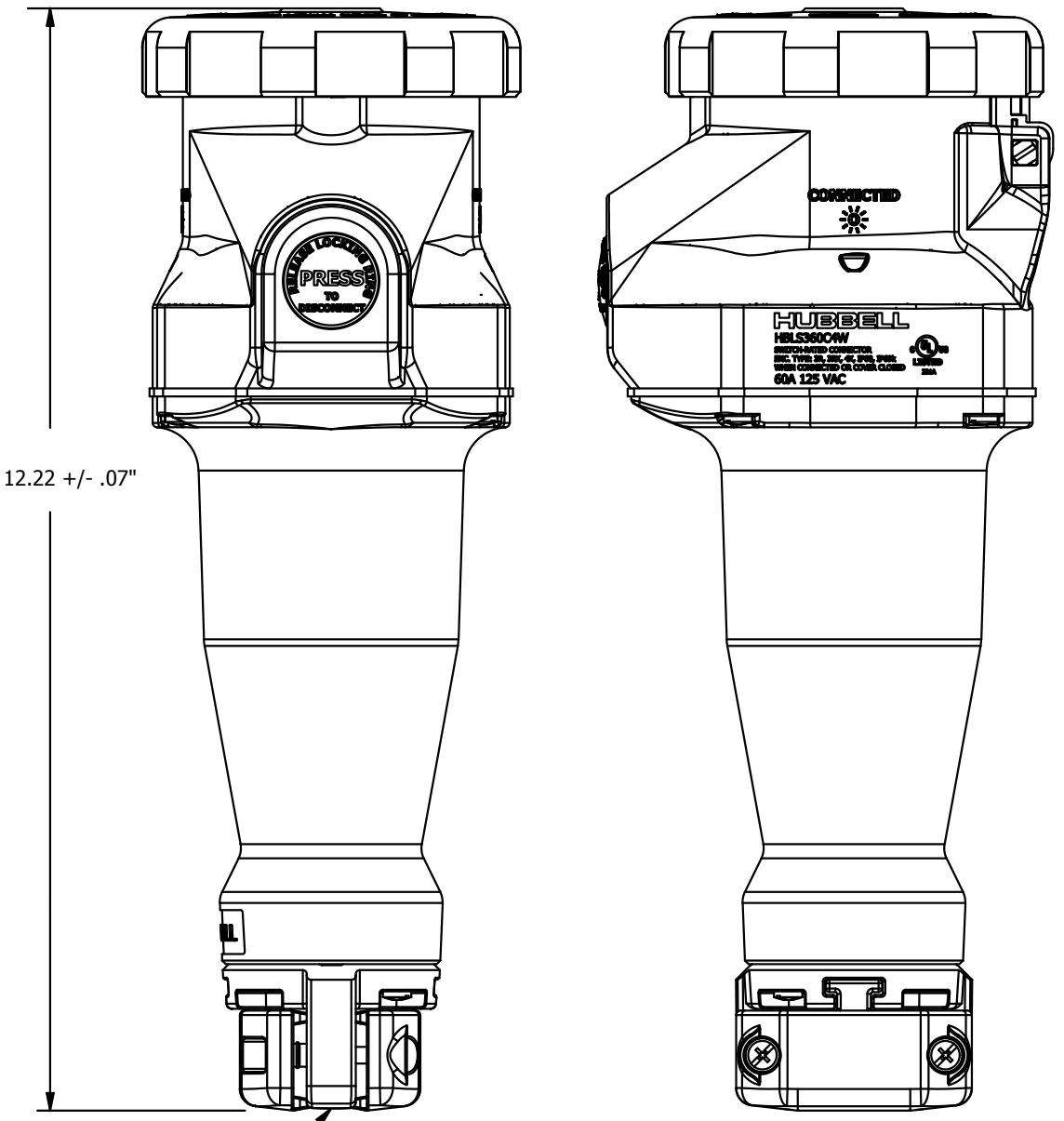
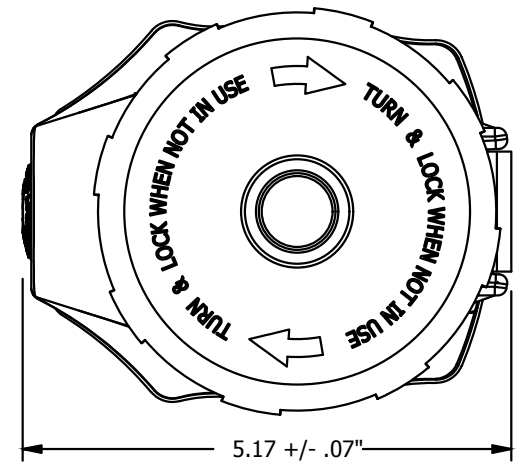


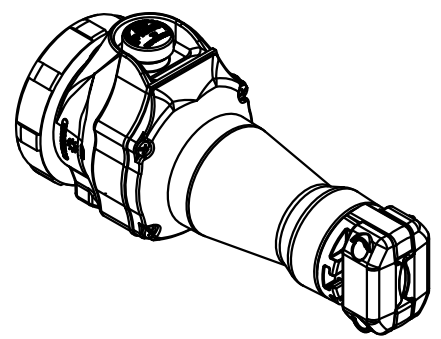
M-12537 2

CONFIGURATION TABLE				
CAT NO.	CONFIGURATION	RATING	HSG MAT'L	HSG COLOR
HBSL360C4W HBSL360C4WP		60A 125 VAC 3 HP 60A 125 VAC 3 HP WITH PILOT/AUX CONTACT	PBT	YELLOW
HBSL360C6W HBSL360C6WP		60A 250 VAC 7.5 HP 60A 250 VAC 63A 220-240 VAC 7.5 HP WITH PILOT/AUX CONTACT	PBT	BLUE
HBSL360C7W HBSL360C7WP		60A 480 VAC 15 HP 60A 480 VAC 15 HP WITH PILOT/AUX CONTACT	PBT	RED
HBSL460C5W HBSL460C5WP		60A 3Φ 600 VAC 40 HP 60A 3Φ 600 VAC 40 HP WITH PILOT/AUX CONTACT	PBT	BLACK
HBSL460C6W HBSL460C6WP		60A 380-415 VAC 10 HP 60A 380-415 VAC 63A 380-415 VAC 10 HP WITH PILOT/AUX CONTACT	PBT	RED
HBSL460C7W HBSL460C7WP		60A 3Φ 480 VAC 30 HP 60A 3Φ 480 VAC 30 HP WITH PILOT/AUX CONTACT	PBT	RED
HBSL460C9W HBSL460C9WP		60A 3Φ 250 VAC 10 HP 60A 3Φ 250 VAC 63A 3Φ 250 VAC 10 HP WITH PILOT/AUX CONTACT	PBT	BLUE
HBSL460C12W HBSL460C12WP		60A 125/250 VAC 3 HP 60A 125/250 VAC 3HP WITH PILOT/AUX CONTACT	PBT	ORANGE
HBSL560C5W HBSL560C5WP		60A 3Φ 347/600 VAC 40 HP 60A 3Φ 347/600 VAC 40 HP WITH PILOT/AUX CONTACT	PBT	BLACK
HBSL560C6W HBSL560C6WP		60A 200/346 - 240/415 VAC 10 HP 60A 200/346 - 240/415 VAC 10 HP 63A 220/415 VAC WITH PILOT/AUX CONTACT	PBT	RED
HBSL560C7W HBSL560C7WP		60A 3Φ 277/480 VAC 30 HP 60A 3Φ 277/480 VAC 30 HP WITH PILOT/AUX CONTACT	PBT	RED
HBSL560C9W HBSL560C9WP		60A 3Φ 120/208 VAC 10 HP 60A 3Φ 120/208 VAC 10 HP 63A 3Φ 120/208 VAC 10 HP WITH PILOT/AUX CONTACT	PBT	BLUE



CABLE DIA. RANGE:
.50" min. / 1.45" max.
12.7 mm min/37 mm max

LIST OF PARTS		
DESCRIPTION	MATERIAL	FINISH
HOUSING	PBT	
INTERIOR	NYLON	
SLEEVES	BRASS	
PHASE, NEUTRAL & GND CONTACTS	BER. COPPER	SILVER
TERMINAL SCREWS	SS	
HINGE & LID	PBT	
HINGE PIN & SPRING	SS	
GLAND CAP	PBT	
GLAND CLAMPS	PBT	
CLAMP NUTS	BRASS	NICKEL
ASSY SCREWS	SS	
GLAND	NEOPRENE	
LED WINDOW	POLYCARBONATE	
HOUSING GASKET	RUBBER	



3,4 & 5 WIRE SWITCHED CONNECTOR

2	TABLE RATINGS ADDED HP VALUES. PER DCN 23444 SPN	WHD	1/25/18
1	RELEASED FOR PRODUCTION PER DCN 21767 WHD 1/27/16		
SYM	DESCRIPTION	APPRO	DATE

THE DESIGN AND DIMENSIONS OF THE PRODUCT SHOWN ON THIS DRAWING ARE SUBJECT TO CHANGE WITHOUT NOTICE

TITLE
60 & 63A 2W/3P, 3W/4P & 4W/5P PIN & SLEEVE SWITCHED CONNECTORS

TOLERANCES UNLESS OTHERWISE SPECIFIED .XX = ±.01 .XXX = ±.005 ANGLES = ±2°	WIRING DEVICE—KELLEMS HUBBELL INCORPORATED SHELTON, CT	
	DR. BY wdietz	APP. BY
	TR. BY WHD	SCALE
	CHK'D BY	DATE 9/23/2015