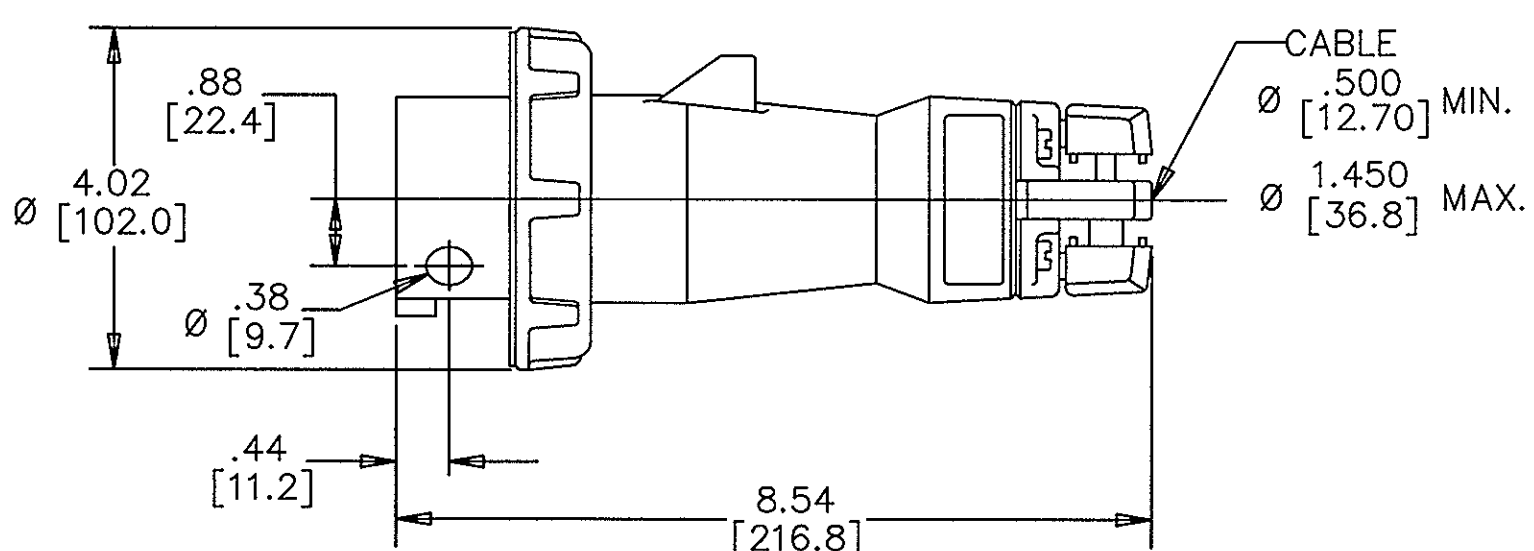
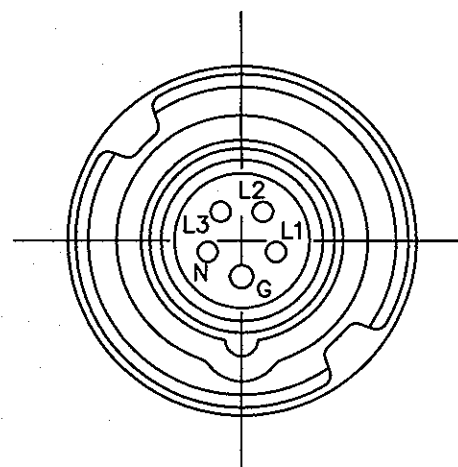


M-6087 8



HBL530P6V02 SHOWN

LIST OF PARTS

| DESCRIPTION | MATERIAL | FINISH |
|-----------------|-----------|--------|
| HOUSING | SEE TABLE | |
| GASKET | NEOPRENE | |
| LOCK RING | POLYESTER | |
| INTERIOR | THERMOSET | |
| PINS | BRASS | |
| TERMINAL SCREWS | ST. STEEL | |
| GLAND CAP | POLYESTER | |
| GLANDS | NEOPRENE | |
| CLAMPS | POLYESTER | |
| CLAMP NUTS | BRASS | NICKEL |
| ASSEMBLY SCREWS | ST. STEEL | |

| | | | |
|---|---|-----|----------|
| 8 | ADDED ALL HBLs CAT NO.s PER DCN 21767 WHD | WHD | 4/24/16 |
| 7 | ADDED PIN CONFIGURATION AND IDENTIFICATION LETTERS TO FRONT VIEW. ADDED "HBL530P6V02 SHOWN" TO VIEW PER DCN 19157 DDL | PJB | 10/18/12 |
| 6 | ADDED CAT. # HBL530P6V02 AND SPECS. TO TABLE. TITLE: 30A & 32A WAS 16A & 20A. PER DCN 18699 DDL | CAC | 04/24/12 |
| 5 | REDRAWN ON CAD WITH CHANGES. ADDED "HOUSING" AND "COMMENTS" COLUMNS TO TABLE, HOLE AND DIM.S TO VIEW, AND NOTES 1 & 2. IN TABLE, REMOVED CAT. NO. HBL520P2W AND "A" WAS "AMP" IN LIST OF PARTS, "SEE TABLE" WAS "NYLON" AND "NEOPRENE" WAS "RUBBER" IN (2) PLACES; "CABLE Ø.500[12.7] MIN./Ø1.450 [36.8] MAX" WAS "CABLE DIA. .700/17.78MM MIN. 1.350/34.29 MAX". "Ø" WAS "DIA." AND "[XX.X]" WAS "MM". SUPERSEDES DRAWING DATED 5/8/80 PER DCN #12944. JMN | DJP | 6/27/06 |

| CAT. NO. | CONFIGURATION | RATING | COMMENTS | HOUSING | | CAT. NO. | CONFIGURATION | RATING | COMMENTS | HOUSING | |
|-------------|---------------|----------------------------------|----------|----------|-------|-----------|---------------|--|----------|----------|-------|
| | | | | MATERIAL | COLOR | | | | | MATERIAL | COLOR |
| HBL530P5W | | 30A 3ØY 347/600 VAC | | NYLON | BLACK | HBL530P7W | | 30A 3ØY 277/480 VAC | | NYLON | RED |
| HBL530P5W | | 30A 3ØY 347/600 VAC | | PBT | BLACK | | | | | PBT | RED |
| | | | | | | HBL530P9W | | 30A 3ØY 120/208 VAC | | NYLON | BLUE |
| HBL532P6W | | 30A 220/346VAC 240/415 VAC | | NYLON | RED | HBL530P9W | | 30A 3ØY 120/208 VAC 32A 3ØY 120/208 VAC | | PBT | BLUE |
| HBL530P6W | | 32A 220/380VAC 240/415 VAC | | PBT | RED | | | | | | |
| HBL530P6V02 | | 30A 220/380VAC 240/415 VAC | | PBT | RED | | | | | | |

NOTES (UNLESS OTHERWISE SPECIFIED)
 1) TOLERANCES ARE: DECIMALS ± .03
 ANGLES ± 2°
 2) DIMENSIONS ARE: INCHES
 [MILLIMETERS]

| SYM | REVISIONS | APP | DATE |
|-----|-----------|-----|------|
| | | | |

THE DESIGN AND DIMENSIONS OF THE PRODUCT SHOWN ON THIS DRAWING ARE SUBJECT TO CHANGE WITHOUT NOTICE

TITLE
 30A & 32A 4 POLE 5 WIRE
 PIN AND SLEEVE PLUGS

| TOLERANCES UNLESS OTHERWISE SPECIFIED | WIRING DEVICE-KELLEMS HUBBELL INCORPORATED SHELTON, CT | |
|--|--|--------------|
| .XX = ±.01 .XXX = ±.005 ANGLES = ±2° | DR. BY MJK | APP. BY DJP |
| | TR. BY JMN | SCALE NONE |
| | CHK. BY DJP | DATE 6/27/06 |