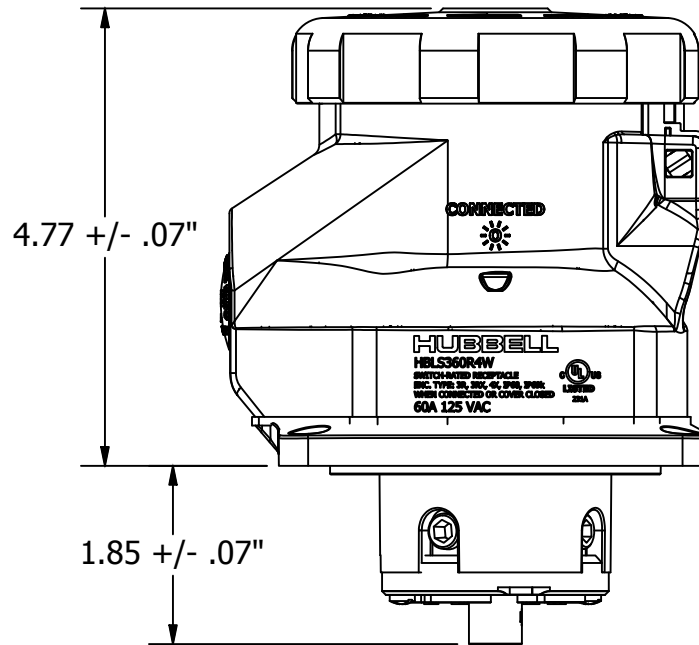
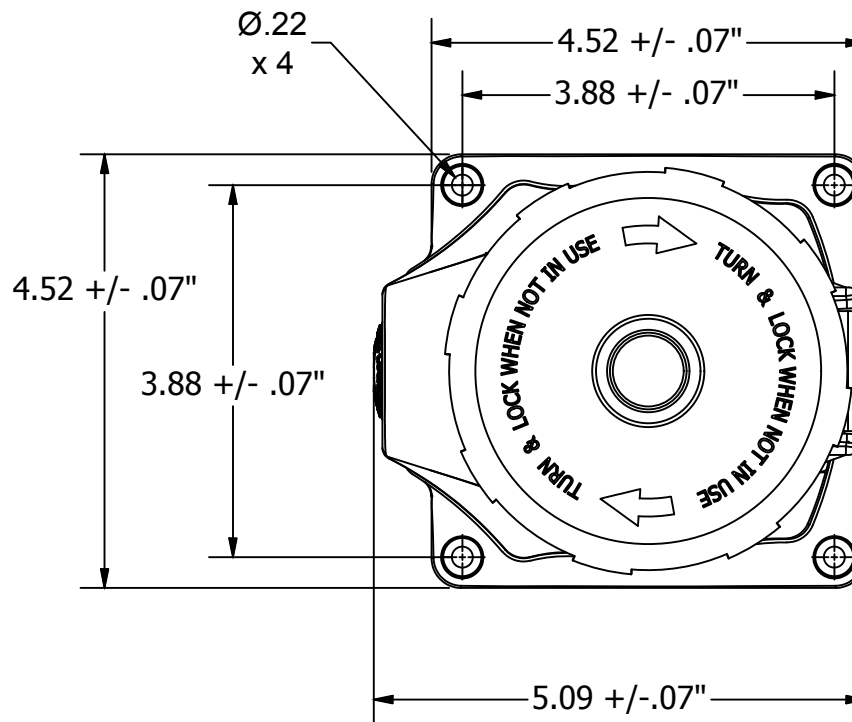
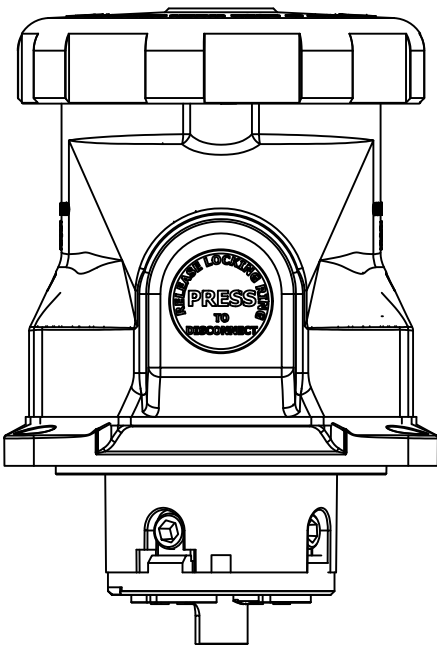


M-12538

2

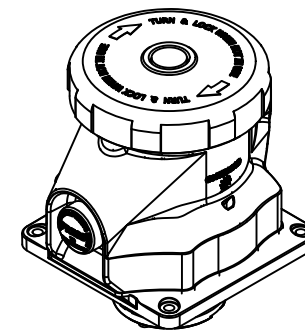
CONFIGURATION TABLE

CAT NO.	CONFIGURATION	RATING	HSG MAT'L	HSG COLOR
HBSL360R4W HBSL360R4WP		60A 125 VAC 3 HP 60A 125 VAC 3 HP WITH PILOT/AUX CONTACT	PBT	YELLOW
HBSL360R6W HBSL360R6WP		60A 250 VAC 7.5 HP 60A 250 VAC 63A 220-240 VAC 7.5 HP WITH PILOT/AUX CONTACT	PBT	BLUE
HBSL360R7W HBSL360R7WP		60A 480 VAC 15 HP 60A 480 VAC 15 HP WITH PILOT/AUX CONTACT	PBT	RED
HBSL460R5W HBSL460R5WP		60A 3Φ 600 VAC 40HP 60A 3Φ 600 VAC 40HP WITH PILOT/AUX CONTACT	PBT	BLACK
HBSL460R6W HBSL460R6WP		60A 380-415 VAC 10HP 60A 380-415 VAC 63A 380-415 VAC 10HP WITH PILOT/AUX CONTACT	PBT	RED
HBSL460R7W HBSL460R7WP		60A 3Φ 480 VAC 30HP 60A 3Φ 480 VAC 30HP WITH PILOT/AUX CONTACT	PBT	RED
HBSL460R9W HBSL460R9WP		60A 3Φ 250 VAC 10HP 60A 3Φ 250 VAC 63A 3Φ 250 VAC 10HP WITH PILOT/AUX CONTACT	PBT	BLUE
HBSL460R12W HBSL460R12WP		60A 125/250 VAC 3HP 60A 125/250 VAC 3HP WITH PILOT/AUX CONTACT	PBT	ORANGE
HBSL560R5W HBSL560R5WP		60A 3Φ 347/600 VAC 40HP 60A 3Φ 347/600 VAC 40HP WITH PILOT/AUX CONTACT	PBT	BLACK
HBSL560R6W HBSL560R6WP		60A 200/346 - 240/415 VAC 10 HP 60A 200/346 - 240/415 VAC 10 HP 63A 220/415 VAC WITH PILOT/AUX CONTACT	PBT	RED
HBSL560R7W HBSL560R7WP		60A 3Φ 277/480 VAC 30HP 60A 3Φ 277/480 VAC 30HP WITH PILOT/AUX CONTACT	PBT	RED
HBSL560R9W HBSL560R9WP		60A 3Φ 120/208 VAC 10HP 60A 3Φ 120/208 VAC 10HP 63A 3Φ 120/208 VAC WITH PILOT/AUX CONTACT	PBT	BLUE



LIST OF PARTS

DESCRIPTION	MATERIAL	FINISH
HOUSING	PBT	
INTERIOR	NYLON	
SLEEVES	BRASS	
PHASE, NEUTRAL & GND CONTACTS	BER. COPPER	SILVER
TERMINAL SCREWS	SS	
HINGE & LID	PBT	
HINGE PIN & SPRING	SS	
ASSY SCREWS	SS	
LED WINDOW	POLYCARBONATE	
HOUSING GASKET	RUBBER	



3,4 & 5 WIRE SWITCHED RECEPTACLE

2	TABLE RATINGS ADDED HP VALUES. PER DCN 23444 SPN	WHD	1/25/18
1	RELEASED FOR PRODUCTION PER DCN 21767	WHD	1/27/16
SYM	DESCRIPTION	APPRO	DATE

THE DESIGN AND DIMENSIONS OF THE PRODUCT SHOWN ON THIS DRAWING ARE SUBJECT TO CHANGE WITHOUT NOTICE

TITLE
60 & 63A 2W/3P, 3W/4P & 4W/5P PIN & SLEEVE SWITCHED RECEPTACLES

TOLERANCES UNLESS OTHERWISE SPECIFIED .XX = ±.01 .XXX = ±.005 ANGLES = ±2'	WIRING DEVICE-KELLEMS HUBBELL INCORPORATED SHELTON, CT
	DR. BY wdietz APP. BY
	TR. BY WHD SCALE
	CHK'D BY DATE 9/23/2015

DIMENSION SHEET FOR CAT. NO. SEE TABLE REPAIRABLE NON-REPAIRABLE B M-12538 2