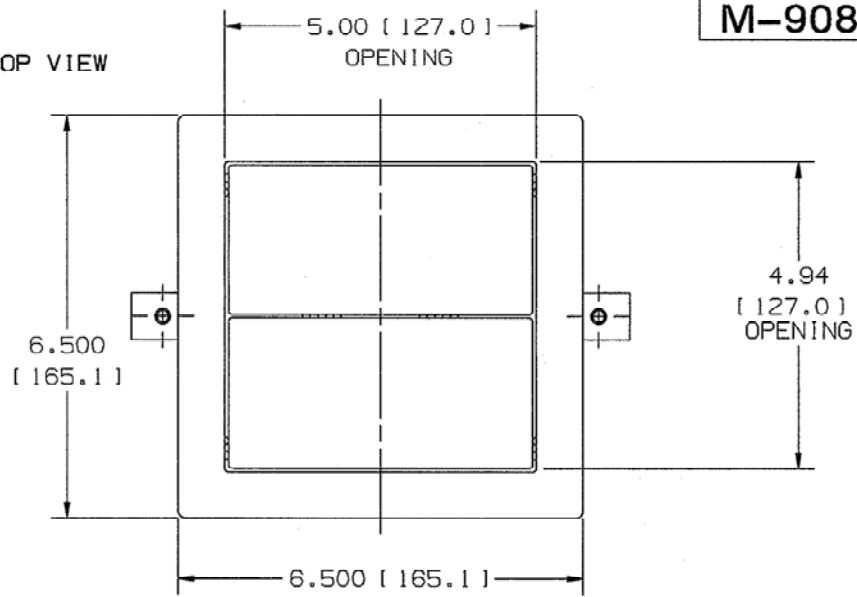
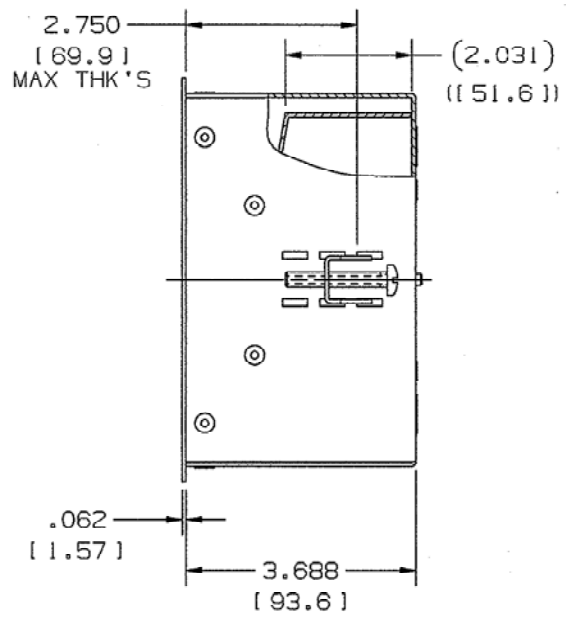
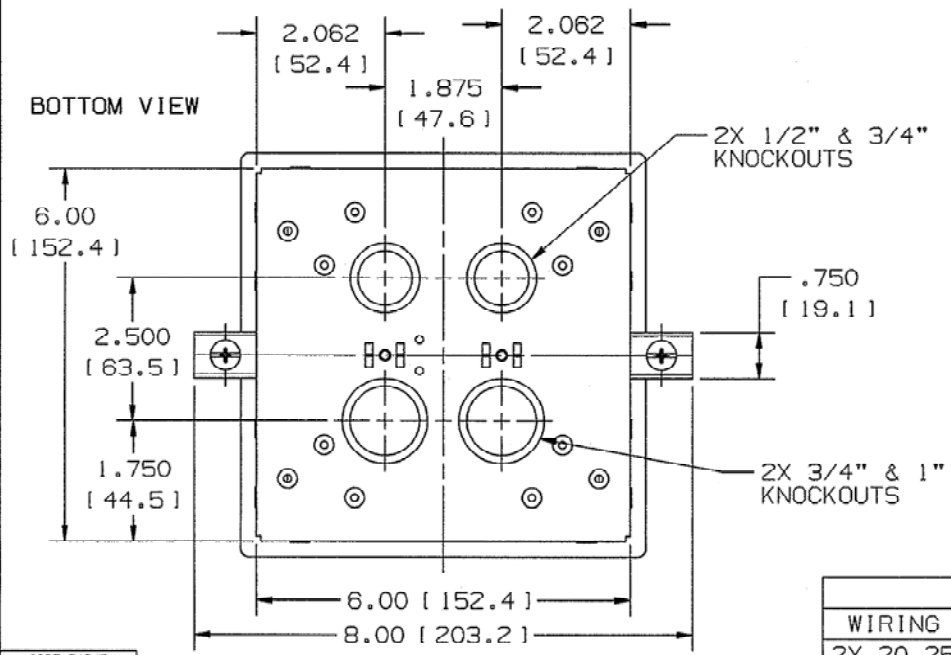


**M-9083** 2

TOP VIEW



BOTTOM VIEW



SIDE VIEW

- NOTE:
1. DIM'S. INCHES [MM].
  2. PRODUCT IS CSAus LISTED.
  3. TRIM PLATE AND MOUNTING HARDWARE INCLUDED.
  4. GENERAL TOLERANCE  $\pm .015"$  [0.38].

FLANGE & COVER FINISH	
HBLSHA2	POWDER COATED, BLACK
HBLSH12BSS	BRUSHED STAINLESS

CUBIC INCH CAPACITY (CM <sup>3</sup> )		
WIRING CHAMBERS	PLUG ACCESS	TOTAL
2X 20.25 (2X 332)	64.375 (1055)	104.875 (1719)

LIST OF PARTS

DESCRIPTION	MATERIAL	FINISH
2 GANG BOX	18 G. STEEL	POWDER COATED, BLACK
FLANGE	18 G. STEEL	SEE CHART
(2) FLIP-UP COVERS	18 G. STEEL	SEE CHART
(2) HOLD DOWN CLIPS	18 G. STEEL	POWDER COATED, BLACK
(2) 1/4-20 UNC SCREW	STEEL	ZINC PL.
TRIM PLATE	PVC	BLACK
(2) GRD. SCREW #10-32	STEEL	GREEN

2	ADDED BROKEN-OUT VIEW & (2.031) DIM. PER DCN 17210 RCM	DJP	10/13/10
1	RELEASED PER DCN #10803	JVD	4/11/03
SYM	REVISIONS	APP	DATE

THE DESIGN AND DIMENSIONS OF THE PRODUCT SHOWN ON THIS DRAWING ARE SUBJECT TO CHANGE WITHOUT NOTICE

TITLE  
2 GANG SHADOW W/COVERS  
CAT. NO. HBLSHA2 & HBLSHA2BSS

TOLERANCES UNLESS OTHERWISE SPECIFIED		WIRING DEVICE-KELLEMS HUBBELL INCORPORATED BRIDGEPORT, CT	
FRACTIONS	$\pm 1/64$	DR. BY	PAC
DECIMALS	$\pm .005$	TR. BY	SCALE 1/2
ANGLES	$\pm 2'$	CHK'D BY	DATE 4/11/03

CODE 74545

DIMENSION SHEET FOR CAT. NO. HBLSHA2 & HBLSHA2BSS REPAIRABLE  NON-REPAIRABLE  **M-9083** 2