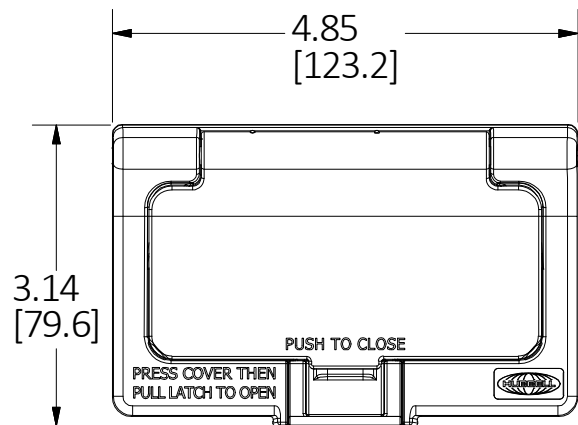
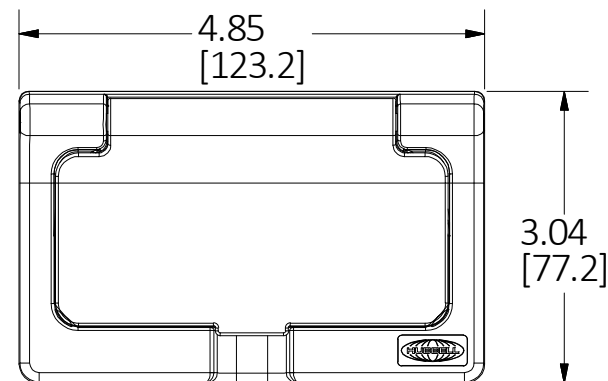


M-13972

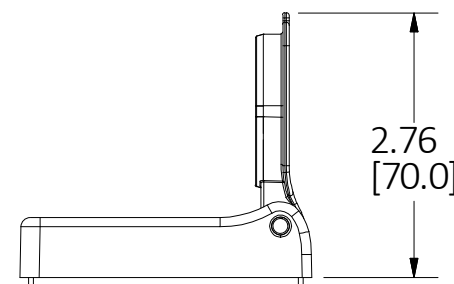
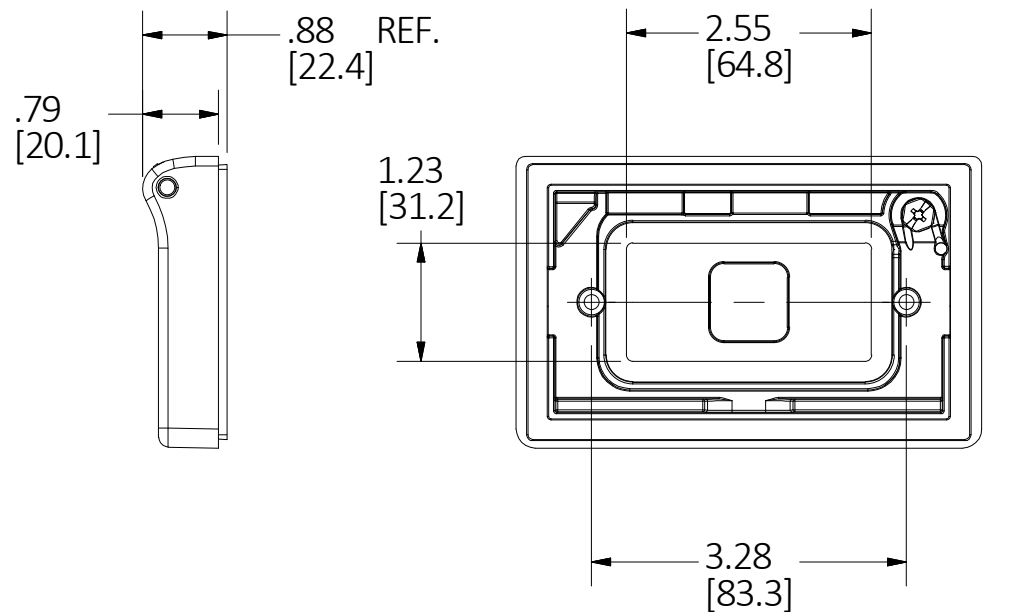
2



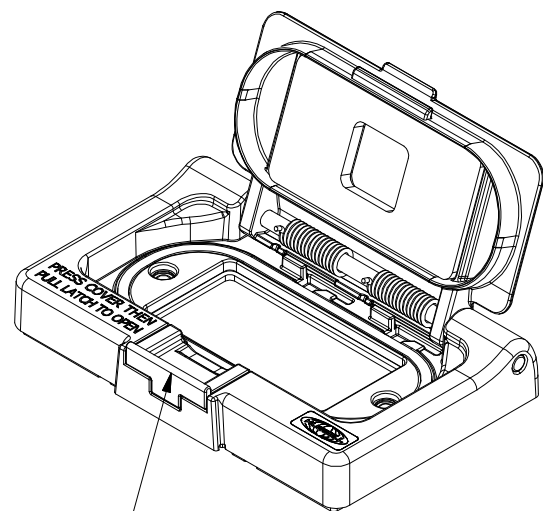
CAT.# HBLSS264X



CAT.# HBLSS263R



OPEN VIEW



LATCH

NOTES:

1. WEATHERPROOF COVER TO BE USED WITH DECORATOR (GFCI) RECEPTACLE.
2. (2) #6 SCREWS AND (2) O-RING PROVIDED FOR MOUNTING.
3. ALL DIMENSIONS ARE IN INCHES [mm].

LIST OF PARTS

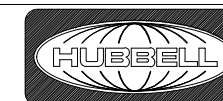
DESCRIPTION	MATERIAL	FINISH
COVER	STAINLESS STEEL	
BASE	STAINLESS STEEL	
HINGE PIN	STAINLESS STEEL	
SPRING	STAINLESS STEEL	
GASKETS	ELASTOMER	
GROUND SCREW	STEEL	ZN PLATE + GREEN DYE
MOUNTING SCREW	STAINLESS STEEL	
LATCH	STAINLESS STEEL	

REV	DESCRIPTION	APP	DATE
2	UPDATE PRINT TO SHOW LASER MARKING ON 4X DEVICE PER DCN #24386	D.LI	11/12/18
1	NEW RELEASE PER DCN #24185	D.LI	9/17/18

THE DESIGN AND DIMENSIONS OF THE PRODUCT SHOWN ON THIS DRAWING ARE SUBJECT TO CHANGE WITHOUT NOTICE. DIMENSIONS ARE IN INCHES [mm].

TITLE

1 GANG, SS DECORATOR WEATHERPROOF COVER



WIRING DEVICE-KELLEMS HUBBELL INCORPORATED SHELTON, CT

TOLERANCES UNLESS OTHERWISE SPECIFIED .XX = ± .01 .XXX = ± .005 ANGLE TOL. ±2'	DR. BY D.LI	SCALE 1/2
	CHK. BY	DATE 7/17/18

DIMENSION SHEET FOR CAT. NO. SEE TABLE

**B**

M-13972

**2**