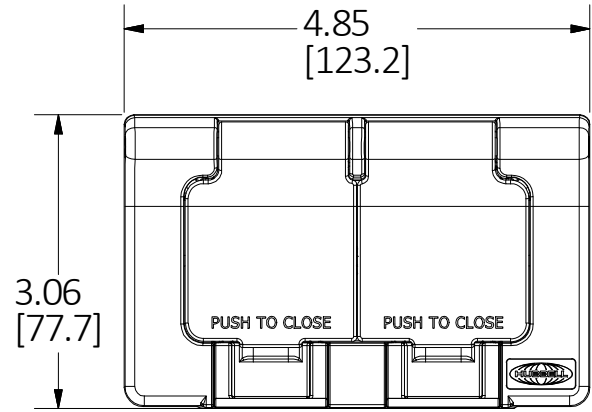
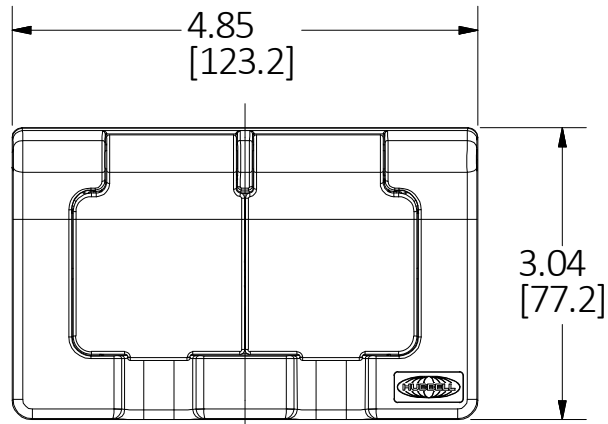


M-13970

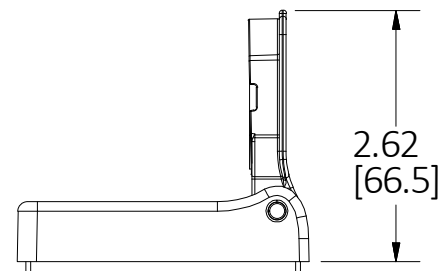
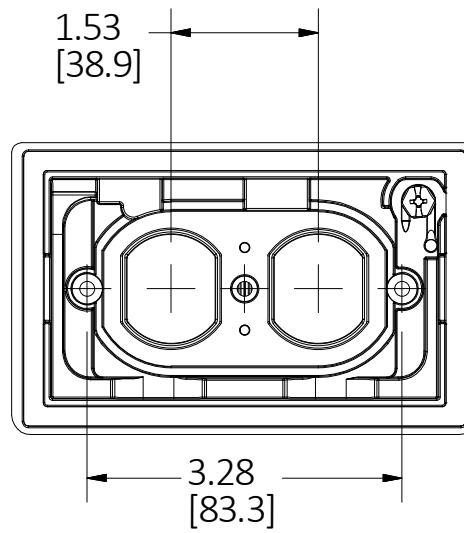
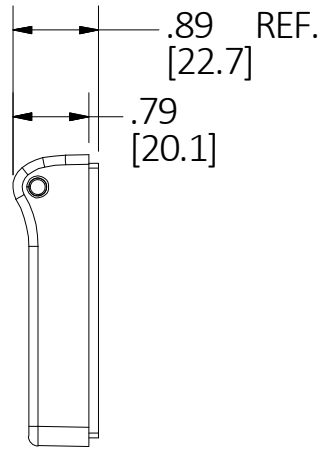
2



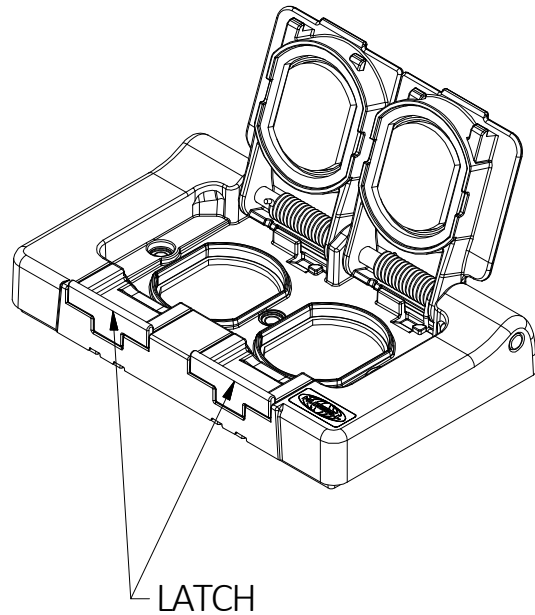
CAT.# HBLSS84X



CAT.# HBLSS83R



OPEN VIEW



LATCH

NOTES:

1. WEATHERPROOF COVER TO BE USED WITH DUPLEX RECEPTACLE.
2. (3) #6 SCREW AND (3) O-RING PROVIDED FOR MOUNTING.
3. ALL DIMENSIONS ARE IN INCHES [mm].

LIST OF PARTS

DESCRIPTION	MATERIAL	FINISH
COVER	STAINLESS STEEL	
BASE	STAINLESS STEEL	
HINGE PIN	STAINLESS STEEL	
SPRING	STAINLESS STEEL	
GASKETS	ELASTOMER	
GROUND SCREW	STEEL	ZN PLATE + GREEN DYE
MOUNTING SCREW	STAINLESS STEEL	
LATCH	STAINLESS STEEL	

REV	DESCRIPTION	APP	DATE
2	UPDATE PRINT TO SHOW LASER MARKING ON 4X DEVICE PER DCN #24386	D.LI	11/12/18
1	NEW RELEASE PER DCN #24185	D.LI	9/17/18

THE DESIGN AND DIMENSIONS OF THE PRODUCT SHOWN ON THIS DRAWING ARE SUBJECT TO CHANGE WITHOUT NOTICE. DIMENSIONS ARE IN INCHES [mm].

TITLE

1 GANG, SS DUPLEX WEATHERPROOF COVER

CATALOG	DESCRIPTION	UL RATING
HBLSS83R	1 GANG STAINLESS STEEL COVER, 3R	3R
HBLSS84X	1 GANG STAINLESS STEEL COVER, 4X	4X



WIRING DEVICE-KELLEMS  
HUBBELL INCORPORATED  
SHELTON, CT

TOLERANCES UNLESS OTHERWISE SPECIFIED  
.XX = ± .01  
.XXX = ± .005  
ANGLE TOL. ±2'

DR. BY	D.LI	SCALE	1 / 2
CHK. BY		DATE	7/17/18