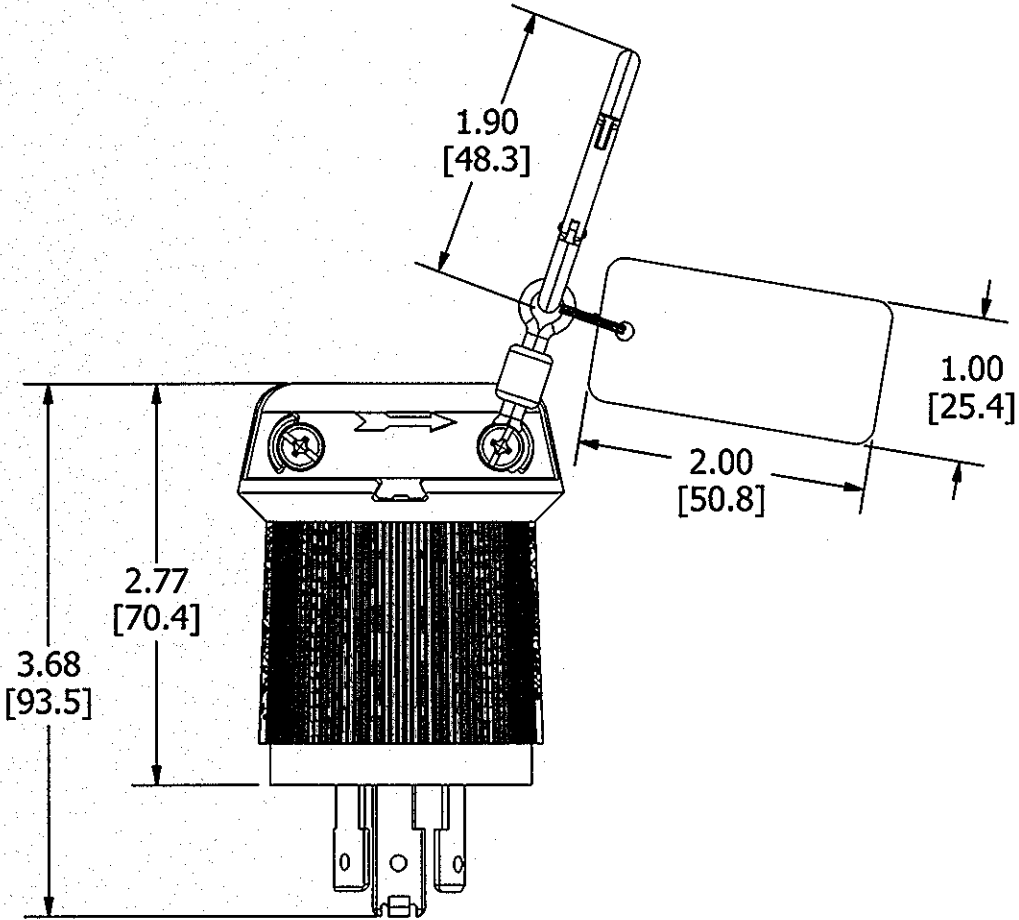
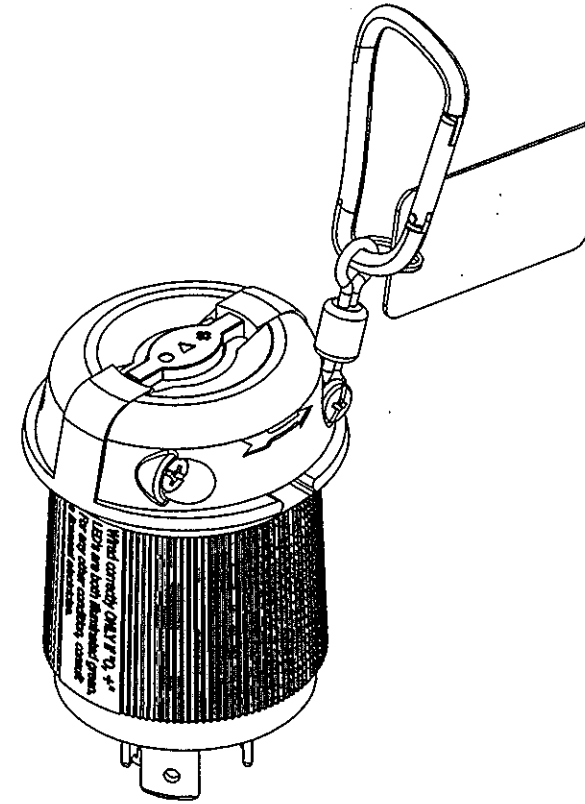
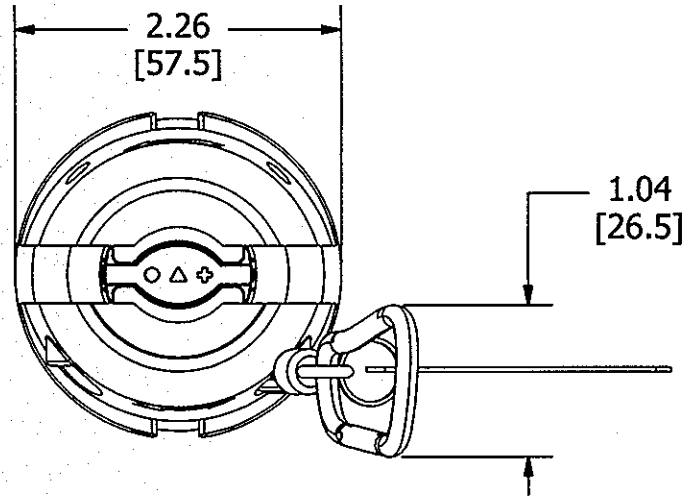


M-13019

1



LIST OF PARTS		
DESCRIPTION	MATERIAL	FINISH
CARABINER	ALUMINUM	ANODIZED
KEY RING	COPPER	PLATED
KEY TAG	PLASTIC	LAMINATED
LED HOUSING	NYLON 6/6	---
CORD CLAMPS	NYLON 6/6	---
CORD CLAMP SCREWS	STAINLESS STEEL	PASSIVATE
COVER	NYLON 6/6	---
BLADE HOLDER	NYLON 6/6	---
ASSEMBLY SCREWS	STAINLESS STEEL	PASSIVATE
BLADES	BRASS	PLATED

DIMENSION SHEET FOR CAT. NO. REPAIRABLE NON-REPAIRABLE B M-13019 1

CONDITIONS	●	▲	+
Correct	●		+
Rev. Polarity	●	▲	
Open G	●		
Open N			+
Open Hot			
Hot & G Rev.		▲	+
Hot on N, No Hot	●	▲	+

NEMA NO.	RATING	POLE/WIRE	CAT NO.	CONFIGURATION
L5-20	20A 125 VAC	2P/3W GROUNDING	HBLT2311	
L5-30	30A 125 VAC	2P/3W GROUNDING	HBLT2611	
L5-30 MARINE	30A 125 VAC	2P/3W GROUNDING	HBLT26CM11	
L7-20	20A 277 VAC	2P/3W GROUNDING	HBLT2331	
L24-20	20A 347 VAC	2P/3W GROUNDING	HBLT3721	

1	02/19/15 INITIAL RELEASE PER DCN 21055 RGP TLS	TLS ²	3/20/2015
SYM	DESCRIPTION	APPROVED	DATE

THE DESIGN AND DIMENSIONS OF THE PRODUCT SHOWN ON THIS DRAWING ARE SUBJECT TO CHANGE WITHOUT NOTICE

TITLE
TWIST-LOCK TESTER

TOLERANCES UNLESS OTHERWISE SPECIFIED		WIRING DEVICE-KELLEMS HUBBELL INCORPORATED SHELTON, CT	
FRACTIONS	±1/64	DR. BY	RGP APP. BY TLS
DECIMALS	±015	TR. BY	SCALE 3 : 4
ANGLES	±2'	CHK'D BY	TLS DATE 7/24/2014