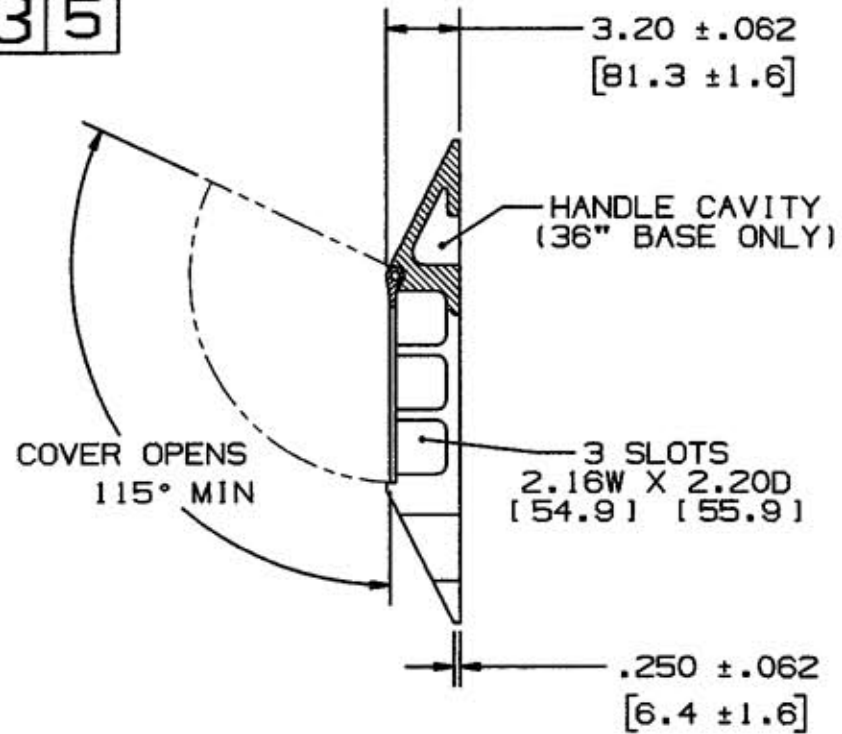
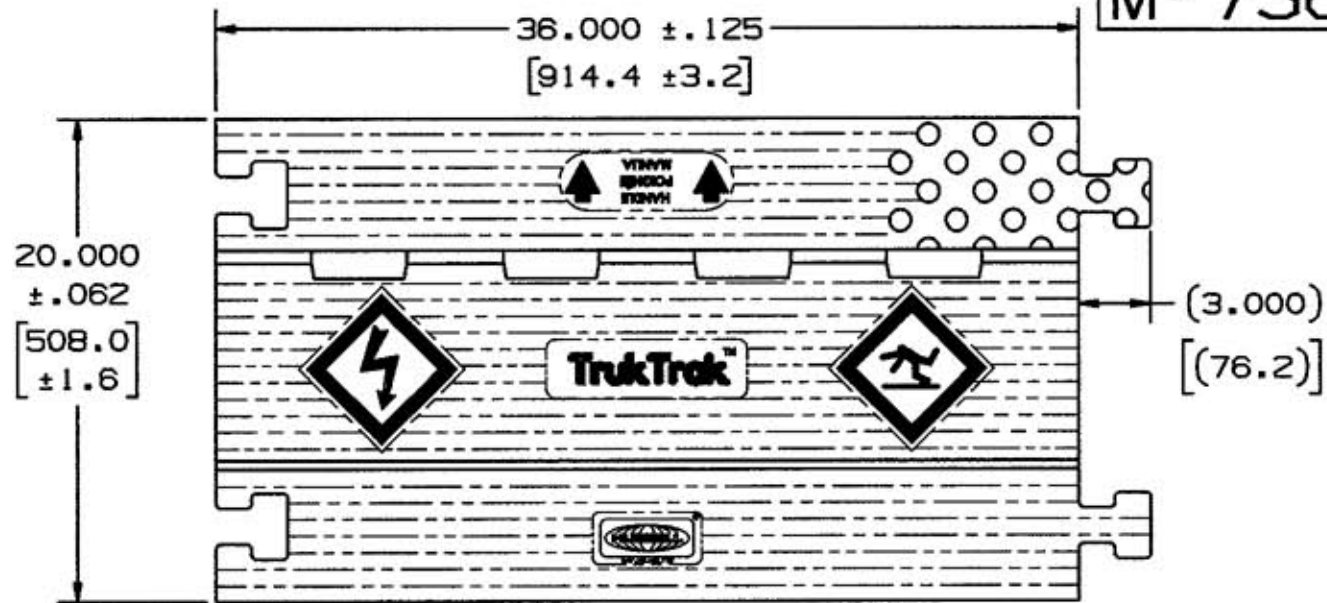
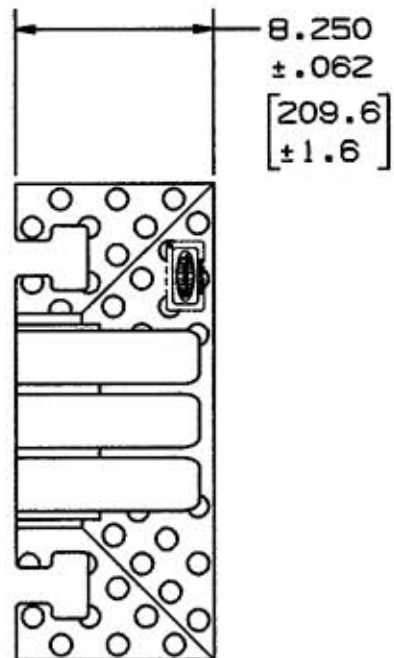
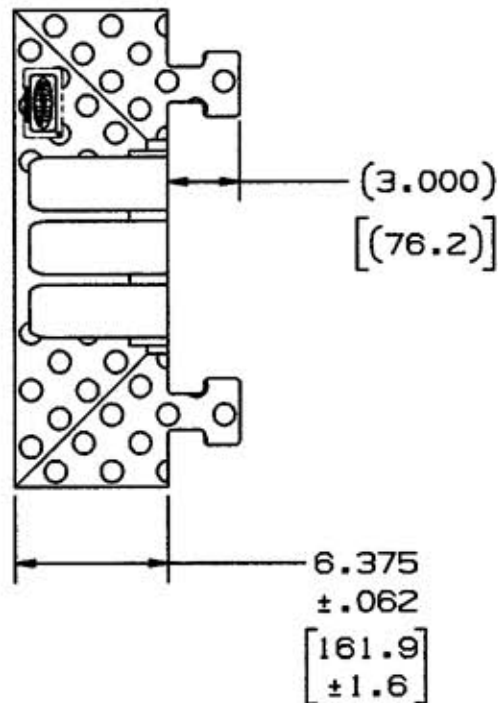


M-7363 5



TYPICAL CROSS-SECTION



CATALOG NUMBER	DESCRIPTION
HBLTT3B	36" BASE & COVER
HBLTT34SRA	BASE & COVER, 45°, RIGHT HAND
HBLTT34SLA	BASE & COVER, 45°, LEFT HAND
HBLTT3ECB	ENDCAPS (PAIR)

CODE 74543

NOTE: INCHES [ mm ]

LIST OF PARTS

DESCRIPTION	MATERIAL	FINISH
PROTECTOR BASE	POLYURETHANE	BLUE
PROTECTOR COVER	POLYURETHANE	YELLOW
PROTECTOR HINGE PIN, BASE	FIBERGLASS	NATURAL
PROTECTOR BASE, 45° R.H.	POLYURETHANE	BLUE
PROTECTOR COVER, 45° R.H.	POLYURETHANE	YELLOW
PROTECTOR HINGE PIN, R.H.	FIBERGLASS	NATURAL
PROTECTOR BASE, 45° L.H.	POLYURETHANE	BLUE
PROTECTOR COVER, 45° L.H.	POLYURETHANE	YELLOW
PROTECTOR HINGE PIN, L.H.	FIBERGLASS	NATURAL
PROTECTOR ENDCAP, L.H.	POLYURETHANE	YELLOW
PROTECTOR ENDCAP, R.H.	POLYURETHANE	YELLOW

SYM	REVISIONS	APP	DATE
5	2/24/03 CATALOG NUMBER HBLTT3B WAS HBLTT3A. HBLTT3ECS WAS HBLTT3ECA. REMOVED NOTE "ABRADED SURFACE TYP FOR ALL PARTS" PER DCN 10384 SPN	WUH WUH	2/28/03
4	11/28/01 ADDED METERIC EQUIVALENTS TO ALL DIMS. ADDED CROSSHATCH TO HBLTT34SRA AND HBLTT34SLA PER DCN 8696 SPN	TCM	2/6/02
3	5/19/00 FINISH BLUE WAS BLACK REPLACED "DIAMOND PATTERN" WITH DISK PATTERN. REMOVED RIGHT & LEFT HAND UNIT VIEWS PER DCN# 7573 PAC	WUH	5/19/00
2	11/21/95 ADDED NOTE "ABRADED SURFACE TYP FOR ALL PARTS" PER DCN 3965 JVO	JVO	11/21/95
1	RELEASED PER DCN3600	SRE/ WUH	6/6/95

THE DESIGN AND DIMENSIONS OF THE PRODUCT SHOWN ON THIS DRAWING ARE SUBJECT TO CHANGE WITHOUT NOTICE

TITLE TRUKTRAK  
MODULAR CABLE PROTECTION SYSTEM,  
3 CHANNEL

TOLERANCES UNLESS OTHERWISE SPECIFIED	WIRING DEVICE DIVISION HUBBELL, INCORPORATED BRIDGEPORT, CT	
FRACTIONS ± 1/64	DR. BY S.R.E.	APP. BY WUH
DECIMALS ± .005	TR. BY	SCALE 1:8
ANGLES ± 2°	CHK'D BY WUH	DATE 6/6/95

DIMENSION SHEET FOR CAT. NO. SEE TABLE  
 REPAIRABLE   
 NON-REPAIRABLE   
 B  
 M-7363  
 5