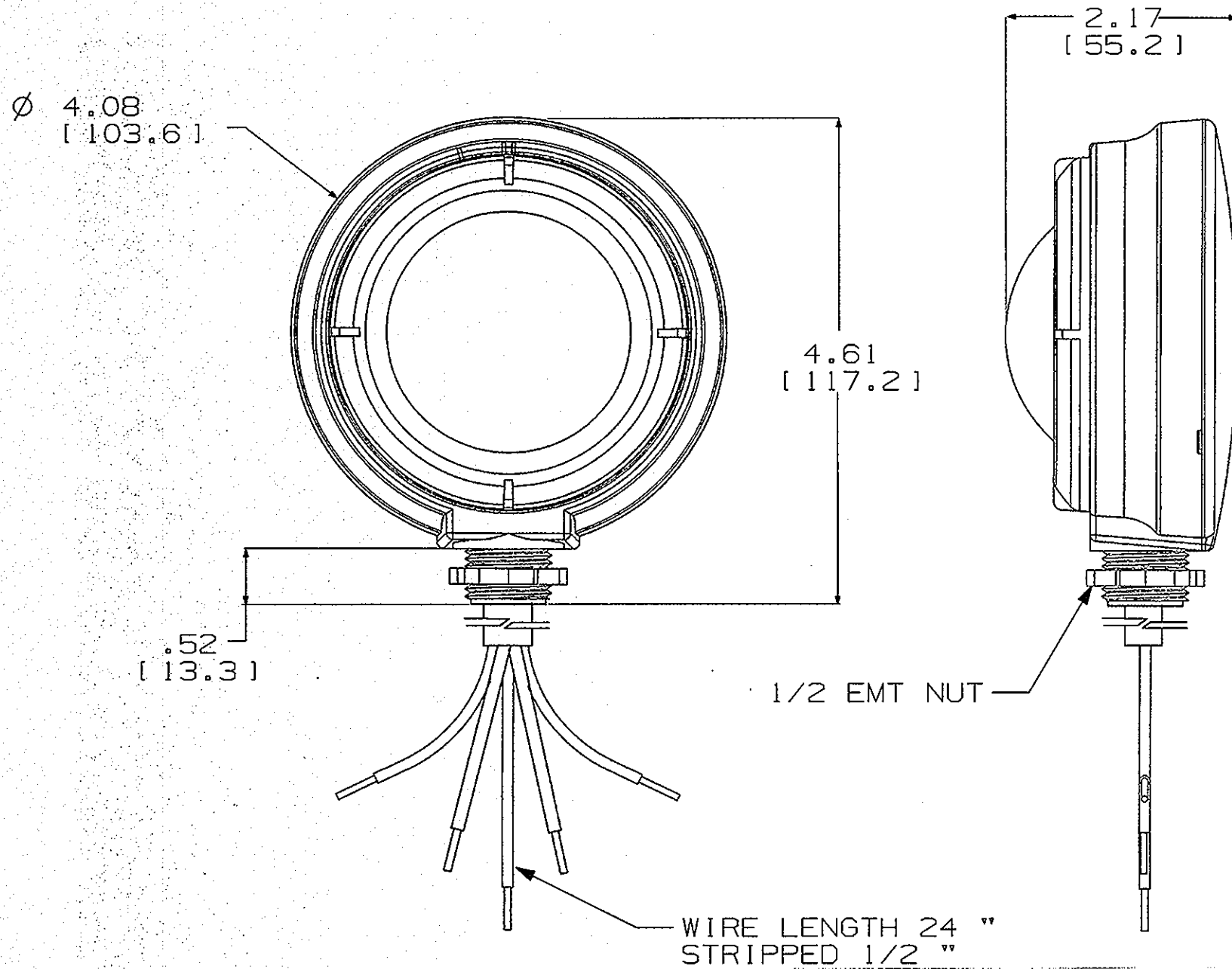


M-12675 3



NOTES: (UNLESS OTHERWISE SPECIFIED)
 1. DIMENSIONS ARE IN INCHES (mm).
 2. cULus LISTED.
 3. CONFORMS TO UL STANDARD 508,
 UL STANDARD 244A.

LOAD RATINGS (LINE VOLTAGE UNITS)

120VAC: 0-800W BALLAST OR TUNGSTEN
 277VAC: 0-1200W BALLAST
 347VAC: 0-1500W BALLAST
 208/240VAC: 0-1200W BALLAST
 480VAC: 0-2400W BALLAST

CAT. NO	VOLTAGE
HMHB219	120-347VAC
HMHB229	120-347VAC
HMHB23A9	208-240VAC
HMHB23B9	480VAC
HMHB2LV9	24VDC
HBS13D	120-347VAC
HBS28D	208-240VAC
HBS48D	480VAC
HBS24D	24VDC

LIST OF PARTS

DESCRIPTION	MATERIAL	FINISH
BASE	PLASTIC	WHITE
NUT	STEEL	Zn-PLATE

SYM	REVISIONS	APP	DATE
3	TABLE ADDED HBS13D, HBS28D, HBS48D AND HBS24D. PER DCN 22977 SPN	DL	3/22/17
2	IN TITLE REMOVED "IP65 WATER TIGHT", IN NOTE 3 REMOVED "IP65" PER DCN 20747. MYA	DJP	9/15/14
1	RELEASED PER DCN# 20735 MYA	DJP	8/22/14

THE DESIGN AND DIMENSIONS OF THE PRODUCT SHOWN ON THIS DRAWING ARE SUBJECT TO CHANGE WITHOUT NOTICE

TITLE HIGH BAY OCCUPANCY SENSOR

TOLERANCES UNLESS OTHERWISE SPECIFIED	WIRING DEVICE-KELLEMS HUBBELL INCORPORATED SHELTON, CT	
.XX : ± .01	DR. BY MYA	APP. BY DJP
.XXX : ± .005	TR. BY MYA	SCALE NONE
ANGLES : ± 2°	CHK. BY DJP	DATE 8/22/14

DIMENSION SHEET FOR CAT. NO. SEE TABLE REPAIRABLE NON-REPAIRABLE B M-12675 3