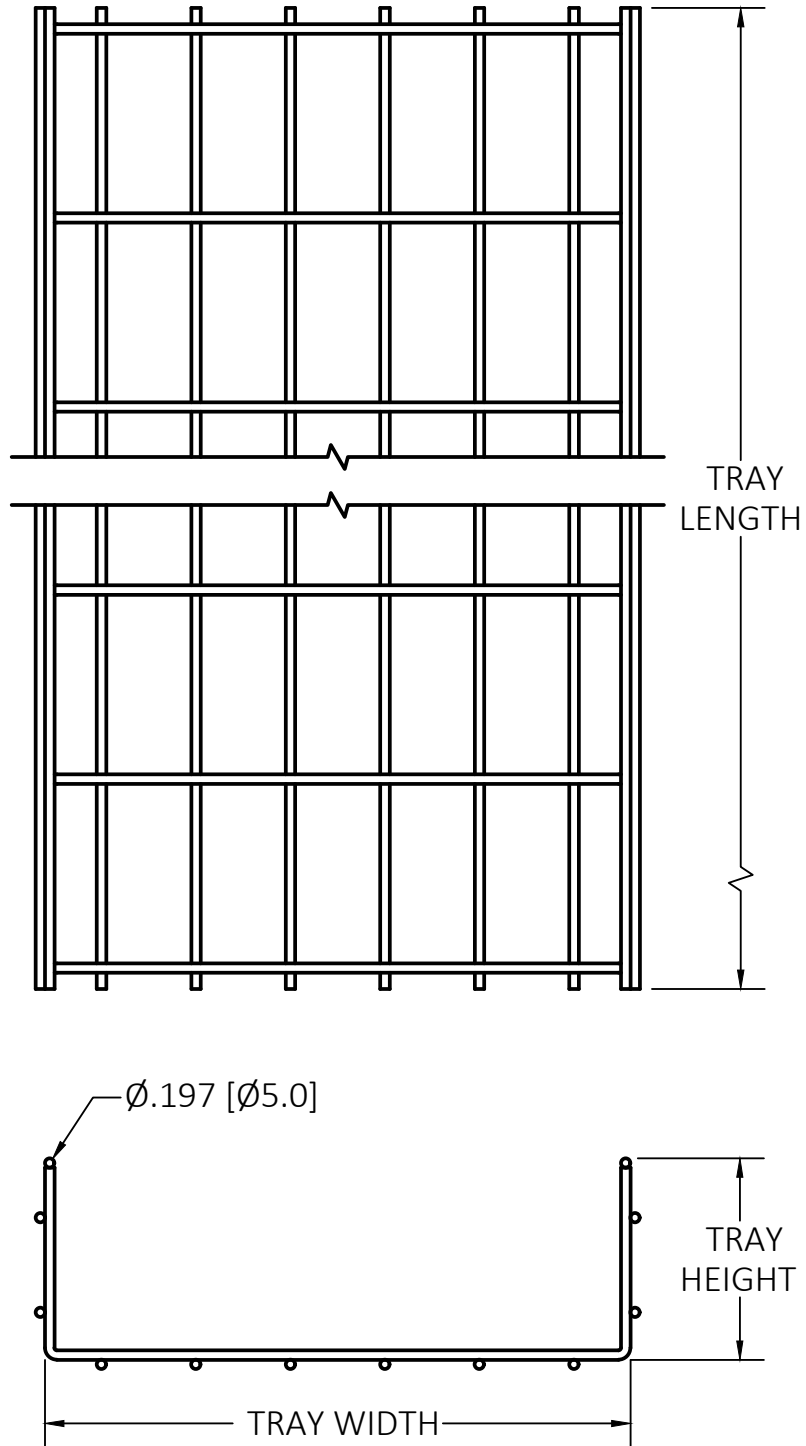


M-13468

1



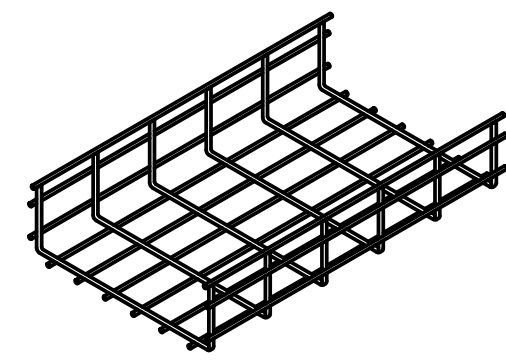
NOTES:

1. • UL CLASSIFIED/cUL CLASSIFIED AS EQUIPMENT GROUND CONDUCTOR
2. * SUPPORTED AT SIX FOOT SPACING
3. ALL DIMENSIONS ARE $\pm.25$ [6.3]
4. 2 X 4 [50.8 X 101.6] MESH OPENING

| 10 FEET PER LENGTH | TRAY WIDTH | LOAD * (Lb/ft) | TRAY AREA (Sq. In.) | WEIGHT PER LENGTH (Lb) | SPLICE QUANTITY* | | FINISH |
|---------------------|--------------|----------------|---------------------|------------------------|------------------|-----------------|-----------|
| | | | | | 90° SWEEP ELBOW | STRAIGHT SPLICE | |
| 2 [50.8] DEEP TRAY | 4 [101.6] | 45 | 8 | 7 | 2 | 2 | HBT0204ZP |
| | 6 [152.4] • | 50 | 12 | 9 | 3 | 4 | HBT0206ZP |
| | 8 [203.2] • | 52 | 16 | 10.5 | 4 | 4 | HBT0208ZP |
| | 12 [304.8] • | 58 | 24 | 12 | 6 | 4 | HBT0212ZP |
| | 16 [406.4] • | 70 | 32 | 15 | 7 | 4 | HBT0216ZP |
| | 18 [457.2] • | 70 | 36 | 23 | 9 | 4 | HBT0218ZP |
| | 20 [508.0] • | 73 | 40 | 25 | 9 | 5 | HBT0220ZP |
| | 22 [558.8] | 73 | 44 | 27 | 12 | 5 | HBT0222ZP |
| | 24 [609.6] • | 75 | 48 | 31 | 12 | 5 | HBT0224ZP |
| | 26 [660.4] | 73 | 52 | 33 | 13 | 6 | HBT0226ZP |
| | 28 [711.2] | 73 | 56 | 35 | 14 | 6 | HBT0228ZP |
| | 30 [762.0] | 70 | 60 | 38 | 15 | 6 | HBT0230ZP |
| | 32 [812.8] | 70 | 64 | 39 | 16 | 6 | HBT0232ZP |
| 4 [101.6] DEEP TRAY | 4 [101.6] | 49 | 16 | 12 | 2 | 4 | HBT0404ZP |
| | 6 [152.4] • | 49 | 24 | 13 | 3 | 5 | HBT0406ZP |
| | 8 [203.2] • | 78 | 32 | 15 | 4 | 6 | HBT0408ZP |
| | 12 [304.8] • | 78 | 48 | 23 | 6 | 6 | HBT0412ZP |
| | 16 [406.4] • | 108 | 64 | 27 | 7 | 7 | HBT0416ZP |
| | 18 [457.2] • | 116 | 72 | 29 | 9 | 7 | HBT0418ZP |
| | 20 [508.0] • | 116 | 80 | 31 | 9 | 7 | HBT0420ZP |
| | 22 [558.8] | 116 | 88 | 33 | 12 | 8 | HBT0422ZP |
| 6 [152.4] DEEP TRAY | 24 [609.6] • | 116 | 96 | 35 | 12 | 8 | HBT0424ZP |
| | 28 [711.2] | 108 | 112 | 39 | 14 | 9 | HBT0428ZP |
| | 8 [203.2] • | 116 | 48 | 23 | 4 | 6 | HBT0608ZP |
| | 12 [304.8] • | 123 | 72 | 27 | 6 | 6 | HBT0612ZP |
| | 16 [406.4] • | 123 | 96 | 31 | 7 | 7 | HBT0616ZP |
| | 18 [457.2] • | 127 | 108 | 33 | 9 | 7 | HBT0618ZP |
| | 20 [508.0] • | 127 | 120 | 35 | 9 | 7 | HBT0620ZP |
| | 22 [558.8] • | 127 | 132 | 37 | 12 | 8 | HBT0622ZP |
| 8 [203.2] DEEP TRAY | 24 [609.6] • | 150 | 144 | 39 | 12 | 8 | HBT0624ZP |
| | 8 [203.2] • | 116 | 64 | 27 | 4 | 8 | HBT0808ZP |
| | 12 [304.8] • | 116 | 96 | 31 | 6 | 8 | HBT0812ZP |
| | 16 [406.4] • | 116 | 128 | 35 | 7 | 9 | HBT0816ZP |
| | 18 [457.2] • | 116 | 144 | 37 | 9 | 9 | HBT0818ZP |
| | 20 [508.0] • | 116 | 160 | 39 | 9 | 9 | HBT0820ZP |

LIST OF PARTS

| DESCRIPTION | MATERIAL | FINISH |
|-------------|----------|-------------|
| TRAY | STEEL | ZINC PLATED |
| | | |
| | | |
| | | |
| | | |
| | | |
| | | |
| | | |
| | | |

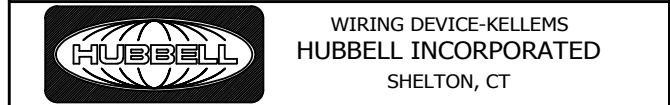


CATALOG NO. HBT0412ZP (NOT SHOWN TO SCALE)

| 1 | INITIAL DOCUMENT | DDL | 11/15/16 |
|-----|-----------------------|-----|----------|
| | RELEASE PER DCN 22750 | | |
| REV | DESCRIPTION | APP | DATE |

THE DESIGN AND DIMENSIONS OF THE PRODUCT SHOWN ON THIS DRAWING ARE SUBJECT TO CHANGE WITHOUT NOTICE. DIMENSIONS ARE IN INCHES [mm].

TITLE
ZINC-PLATED WIRE BASKET TRAY



| | | |
|---|------------|---------------|
| TOLERANCES UNLESS OTHERWISE SPECIFIED .XX = ±.01 .XXX = ±.005 ANGLE TOL. ±2' | DR. BY GM | SCALE NONE |
| | CHK. BY MN | DATE 09/07/16 |

DIMENSION SHEET FOR CAT. NO. SEE TABLE

B

M-13468

1