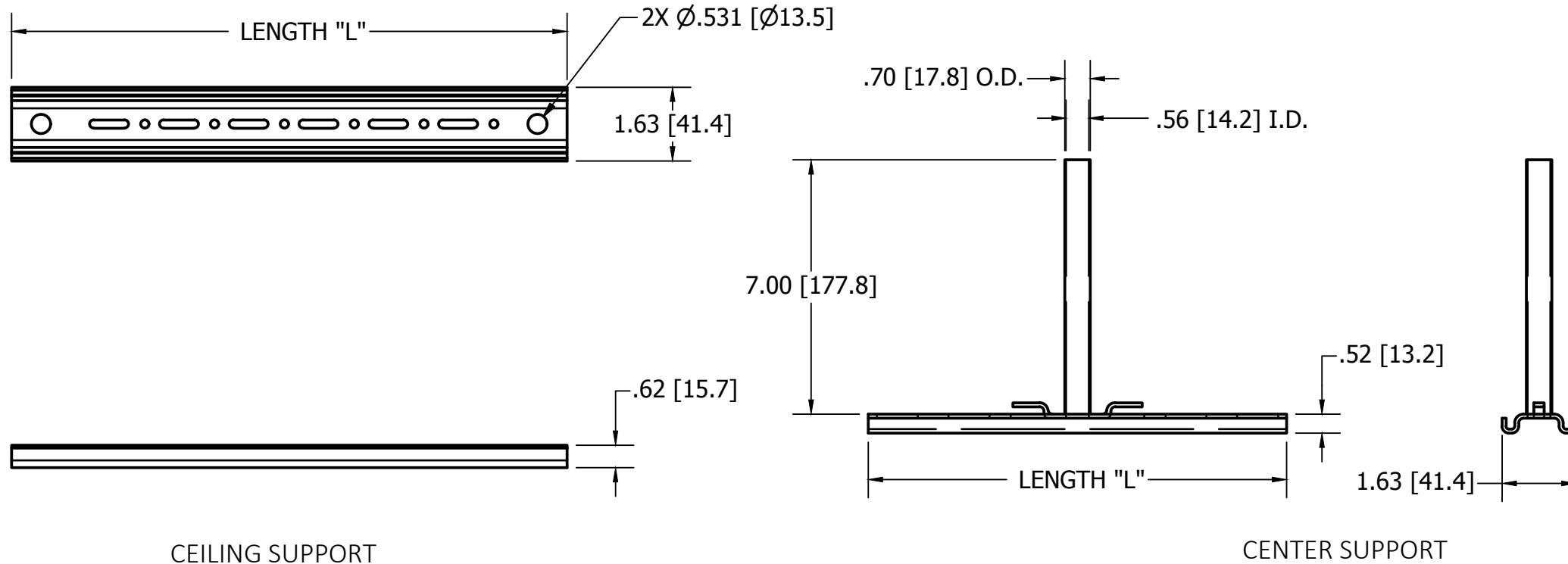


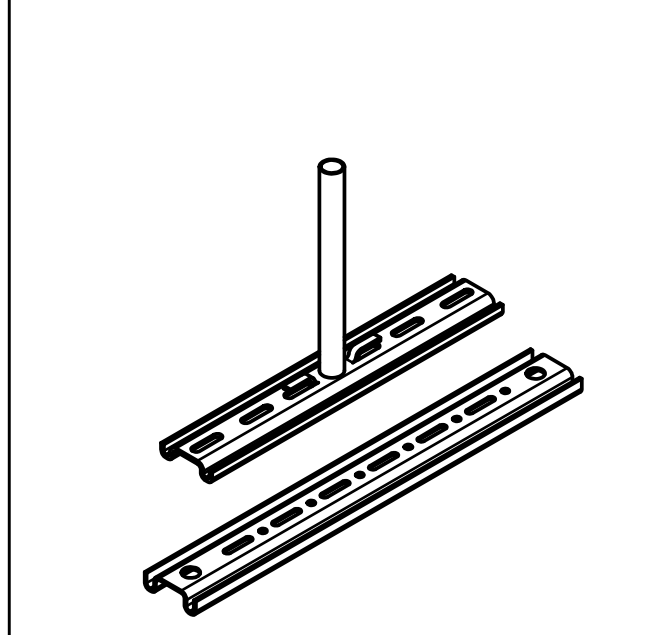
M-13497

1



TRAY WIDTH	SUPPORTS					
	CENTER SUPPORT			CEILING SUPPORT		
	LENGTH "L"	PRE-GALVANIZED	BLACK POWDER COAT	LENGTH "L"	PRE-GALVANIZED	BLACK POWDER COAT
4 [101.6]	4.44 [112.8]	HBTCTRS4	HBTCTRS4BK	-	-	-
6 [152.4]	5.53 [140.5]	HBTCTRS6	HBTCTRS6BK	-	-	-
8 [203.2]	8.59 [218.2]	HBTCTRS8	HBTCTRS8BK	-	-	-
12 [304.8]	12.50 [317.5]	HBTCTRS12	HBTCTRS12BK	15.28 [388.1]	HBTCLGS12	HBTCLGS12BK
16 [406.4]	16.38 [416.1]	HBTCTRS16	HBTCTRS16BK	19.22 [488.2]	HBTCLGS16	HBTCLGS16BK
18 [457.2]	17.0 [431.8]	HBTCTRS18	HBTCTRS18BK	21.20 [538.5]	HBTCLGS18	HBTCLGS18BK
20 [508.0]	20.28 [515.1]	HBTCTRS20	HBTCTRS20BK	23.16 [588.3]	HBTCLGS20	HBTCLGS20BK
24 [609.6]	24.19 [614.4]	HBTCTRS24	HBTCTRS24BK	27.10 [688.3]	HBTCLGS24	HBTCLGS24BK

LIST OF PARTS		
DESCRIPTION	MATERIAL	FINISH
SUPPORT	STEEL	SEE TABLE

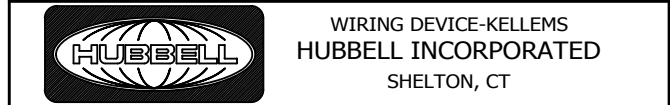


CATALOG NO. HBTCTRS12 & HBTCLGS12 (NOT SHOWN TO SCALE)

1	INITIAL DOCUMENT	DDL	11/15/16
	RELEASE PER DCN 22750		
REV	DESCRIPTION	APP	DATE

THE DESIGN AND DIMENSIONS OF THE PRODUCT SHOWN ON THIS DRAWING ARE SUBJECT TO CHANGE WITHOUT NOTICE. DIMENSIONS ARE IN INCHES [mm].

TITLE
CENTER AND CEILING SUPPORT



TOLERANCES UNLESS OTHERWISE SPECIFIED .XX = ± .01 .XXX = ± .005 ANGLE TOL. ± 2°		DR. BY GM	SCALE NONE
		CHK. BY MN	DATE 09/08/16

- NOTES:**
1. INSTALL EVERY 6 FEET
 2. ACCEPTS UP TO 1/2" THREADED ROD

DIMENSION SHEET FOR CAT. NO. SEE TABLE

B

M-13497

1