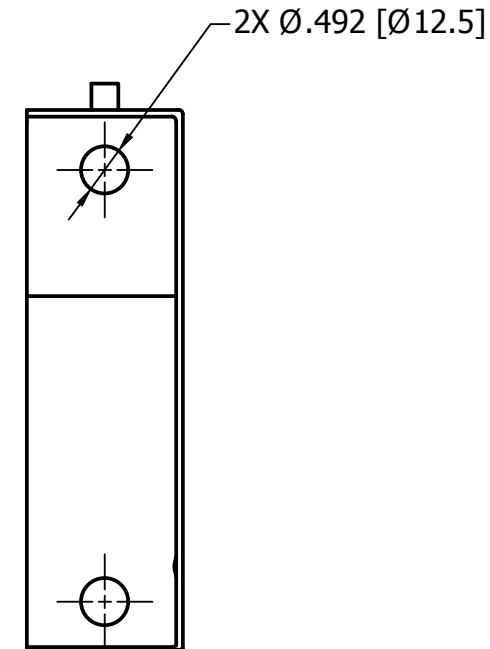
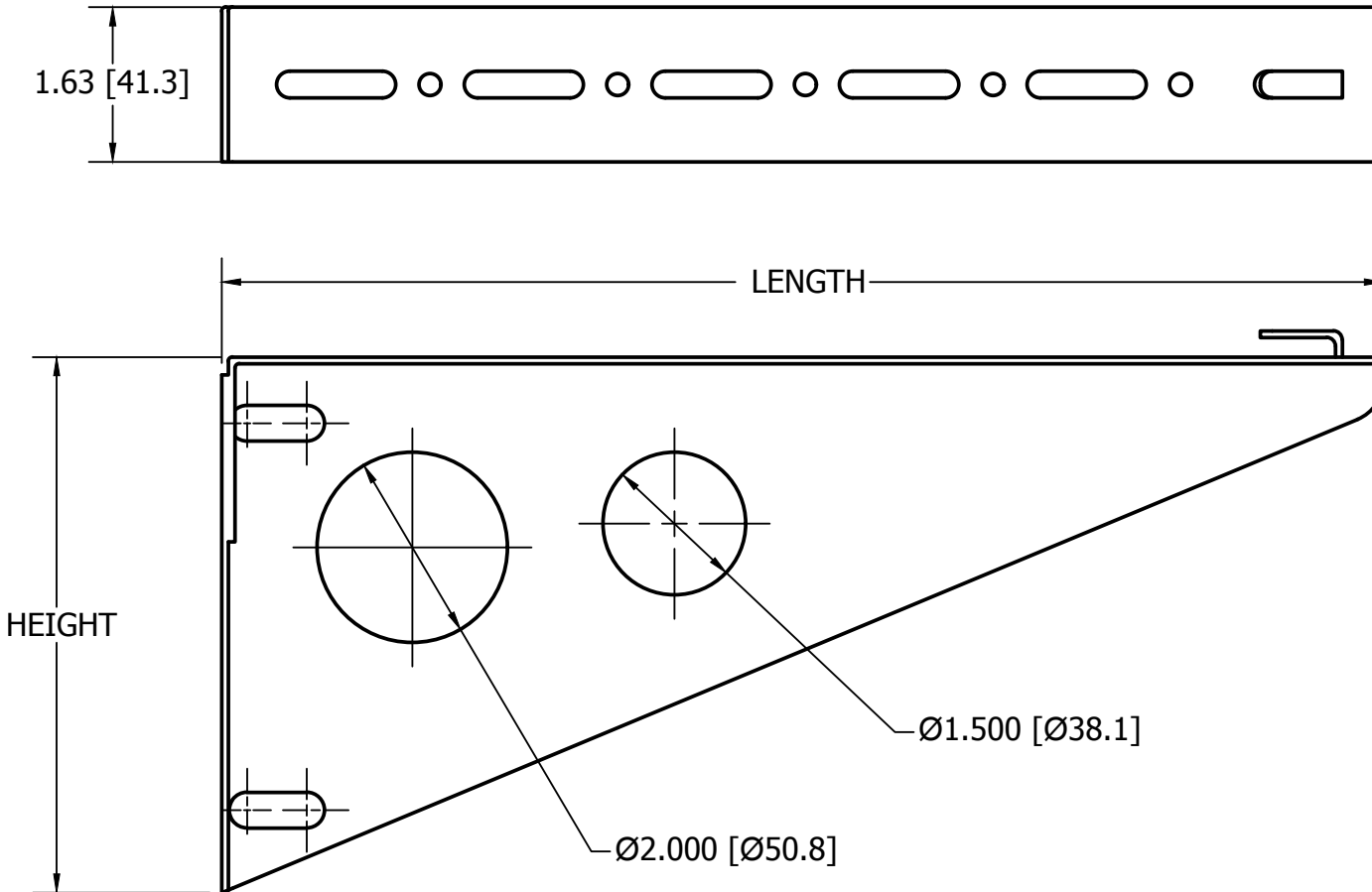
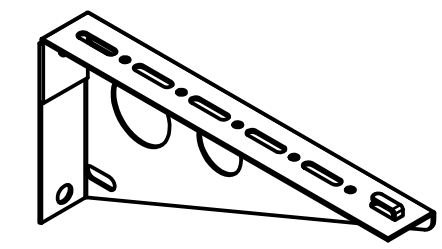


M-13508

1



LIST OF PARTS		
DESCRIPTION	MATERIAL	FINISH
SHELF SUPPORT	STEEL	SEE TABLE



CATALOG NO. HBTSS12
(NOT SHOWN TO SCALE)

TRAY WIDTH	HEIGHT	LENGTH	QTY. PER BOX	PRE-GALVANIZED	BLACK POWDER COAT
4 [101.6]	2.90 [73.6]	4.281 [108.7]	1	HBTSS4	HBTSS4BK
6 [152.4]	2.90 [73.6]	6.25 [158.7]	1	HBTSS6	HBTSS6BK
8 [203.2]	2.90 [73.6]	8.250 [209.5]	1	HBTSS8	HBTSS8BK
12 [304.8]	5.63 [143.0]	12.188 [309.6]	1	HBTSS12	HBTSS12BK
16 [406.4]	5.81 [147.6]	16.125 [409.6]	1	HBTSS16	HBTSS16BK
18 [457.2]	5.81 [147.6]	18.063 [458.8]	1	HBTSS18	HBTSS18BK
20 [508.0]	8.63 [219.2]	20.062 [509.6]	1	HBTSS20	HBTSS20BK
24 [609.6]	8.75 [222.2]	24.00 [609.6]	1	HBTSS24	HBTSS24BK

NOTES:
1. INSTALL EVERY 6 FEET

1	INITIAL DOCUMENT RELEASE PER DCN 22750	DDL	11/15/16
REV	DESCRIPTION	APP	DATE

THE DESIGN AND DIMENSIONS OF THE PRODUCT SHOWN ON THIS DRAWING ARE SUBJECT TO CHANGE WITHOUT NOTICE. DIMENSIONS ARE IN INCHES [mm].

TITLE
SHELF SUPPORT

WIRING DEVICE-KELLEMS
HUBBELL INCORPORATED
SHELTON, CT

TOLERANCES UNLESS OTHERWISE SPECIFIED .XX = ±.01 .XXX = ±.005 ANGLE TOL. ±2'	DR. BY GM	SCALE NONE
	CHK. BY MN	DATE 09/08/16

DIMENSION SHEET FOR CAT. NO. M-13508
SEE TABLE
B
M-13508
1