

M-8471

1

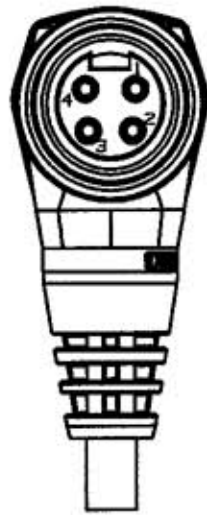


FIGURE 2

WIRE	COLOR
1	BLACK
2	WHITE
3	RED
4	GREEN

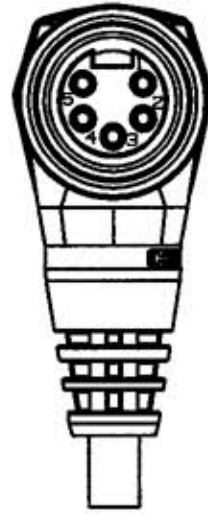


FIGURE 3

WIRE	COLOR
1	WHITE
2	RED
3	GREEN
4	ORANGE
5	BLACK

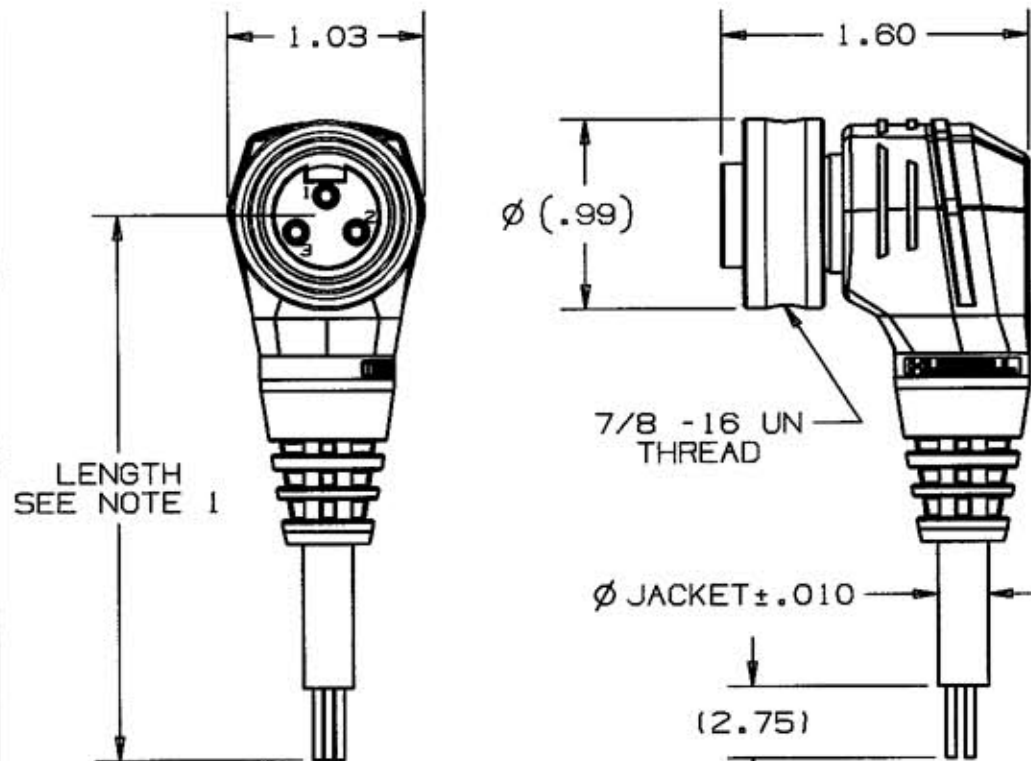
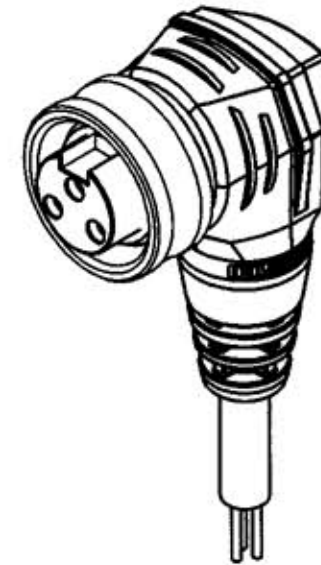


FIGURE 1

WIRE	COLOR
1	GREEN
2	BLACK
3	WHITE

NOTES:

1. PLUG ASSEMBLIES AVAILABLE IN 3, 6, 12, 15, 20, AND 25 FOOT LENGTHS. CONSULT FACTORY FOR OTHER LENGTHS.
2. TWO DIGIT SUFFIX IN CATALOG NUMBER DENOTES LENGTH OF PLUG ASSEMBLY IN FEET. HCMA03303 IS 3 FEET LONG.
3. CATALOG NUMBER PREFIX HCNA_____ DENOTES A BLACK NYLON COUPLING NUT; HCMA_____ DENOTES A NICKEL PLATED BRASS COUPLING NUT.

CATALOG NUMBER SEE NOTE 2	SEE FIGURE NUMBER	NUMBER OF POLES	AMPS	CABLE JACKET DIA.
HCMA033_ HCNA033_	1	3	11	.258
HCMA043_ HCNA043_	2	4	8	.258
HCMA053_ HCNA053_	3	5	7	.258

LIST OF PARTS

DESCRIPTION	MATERIAL	FINISH
COUPLING NUT	SEE NOTE 3	
INSULATOR	NYLON	WHITE
RETAINER	NYLON	WHITE
O-RING	RUBBER	BLACK
O-RING	SILICONE	GREEN
SOCKET CONTACT	COPPER ALLOY	GOLD OVER Pd/Ni
OVERMOLD	POLYURETHANE	BLACK
CABLE	18 AWG PVC	BLACK

DIMENSION SHEET FOR CAT. NO.

SEE CHART

REPAIRABLE

NON-REPAIRABLE

B

M-8471

1

SYM	REVISIONS	APP	DATE
1	X REMOVED; LAST X-REVISION WAS X-0. RELEASED FOR PRODUCTION PER DCN #8642. JMN GPH		6/12/01

THE DESIGN AND DIMENSIONS OF THE PRODUCT SHOWN ON THIS DRAWING ARE SUBJECT TO CHANGE WITHOUT NOTICE

TITLE
FEMALE PLUG 90°, #18 AWG AWM2661 CABLE

TOLERANCES UNLESS OTHERWISE SPECIFIED FRACTIONS ± 1/64 DECIMALS ± .005 ANGLES ± 2°	WIRING DEVICE-KELLEMS HUBBELL INCORPORATED BRIDGEPORT, CT	
	DR. BY JMN	APP. BY GPH
	TR. BY	SCALE NONE
	CHK'D BY GPH	DATE 6/12/01