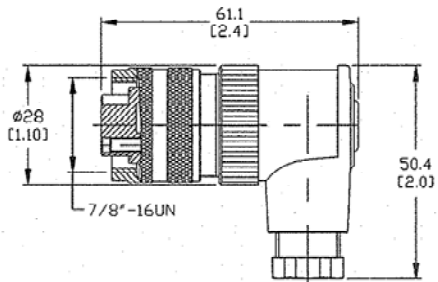
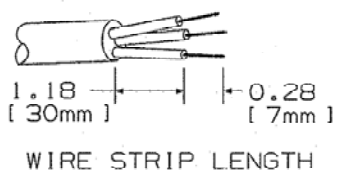
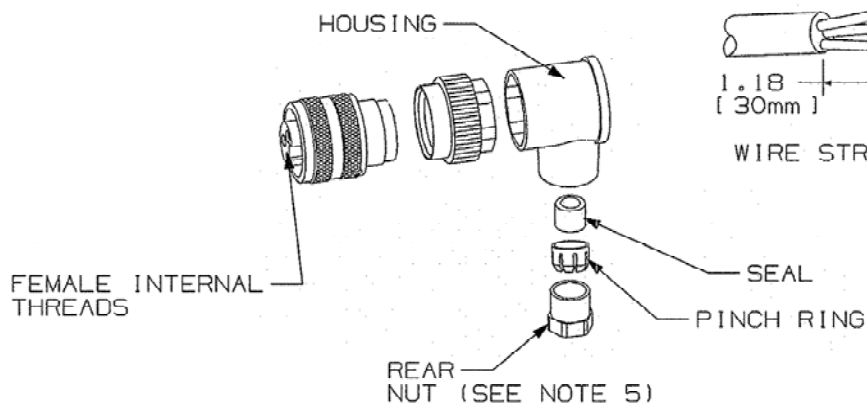


M-11785 1



DIMENSIONS IN INCHES. (mm)



NOTES: UNLESS OTHERWISE SPECIFIED:

1. WIRE SIZE: 16AWG (1.5mm<sup>2</sup>)MAX.
2. ENCLOSURE RATING: IP67
3. OPERATING TEMPERATURE: -40°C TO 85°C.
4. cULus RECOGNIZED.
5. RECOMMENDED REAR NUT TORQUES  
F9 STYLE - 7-8 IN.LBS (80-100 Ncm)
6. RECOMMENDED TERMINAL TORQUE  
4.42 IN.LBS (50Ncm)



Female  
3 POLE



Female  
4 POLE



Female  
5 POLE

CATALOG NO.	POLES	RATING	CABLE RANGE
HCMA03F9	3	250V/12A	0.24-0.32 IN.
HCMA04F9	4	250V/9A	0.24-0.32 IN.
HCMA05F9	5	250V/9A	0.24-0.32 IN.

LIST OF PARTS		
DESCRIPTION	MATERIAL	FINISH
COUPLING NUT	ALUMINUM	BLACK ANODIZE
CONNECTOR SHELL	PBT	BLACK
CONTACTS	BRASS	GOLD PLATED

1	12/1/10 NEW RELEASE PER DCN 17341 CAC	CAC	
SYM	REVISIONS	APP	DATE

THE DESIGN AND DIMENSIONS OF THE PRODUCT SHOWN ON THIS DRAWING ARE SUBJECT TO CHANGE WITHOUT NOTICE

TITLE ANGLED FEMALE MINI-QUICK F9 FIELD ATTACHABLE

TOLERANCES UNLESS OTHERWISE SPECIFIED	WIRING DEVICE-KELLEMS HUBBELL INCORPORATED BRIDGEPORT, CT	
	FRACTIONS ± 1/64	DR. BY CAC
	DECIMALS ± .005	APP. BY CAC
	ANGLES ± 2°	TR. BY
		SCALE NONE
		CHK'D BY
		DATE 12-2-10

DIMENSION SHEET FOR CAT. NO. SEE TABLE REPAIRABLE  NON-REPAIRABLE  B M-11785 1