

M-8042 | 1

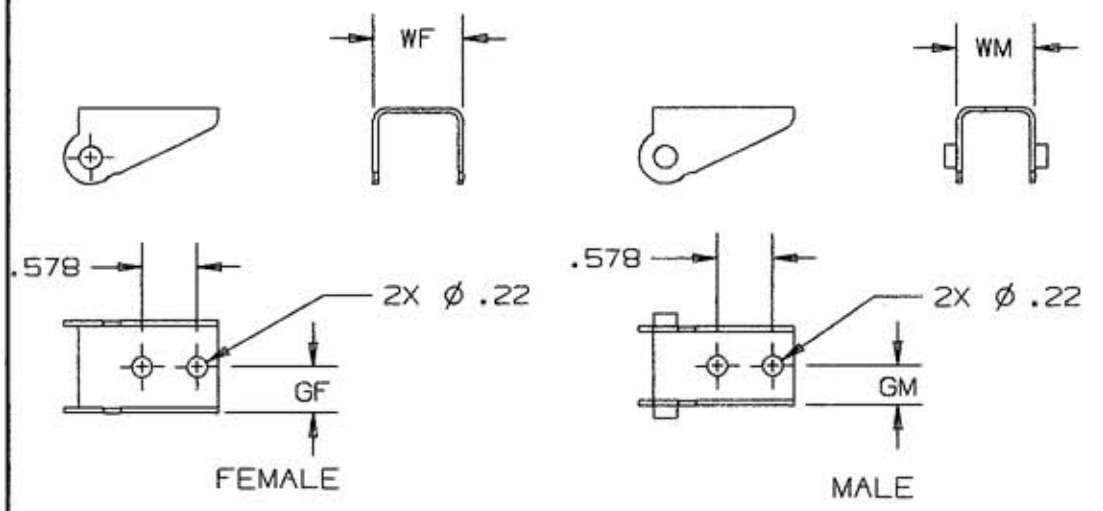


FIG. 3

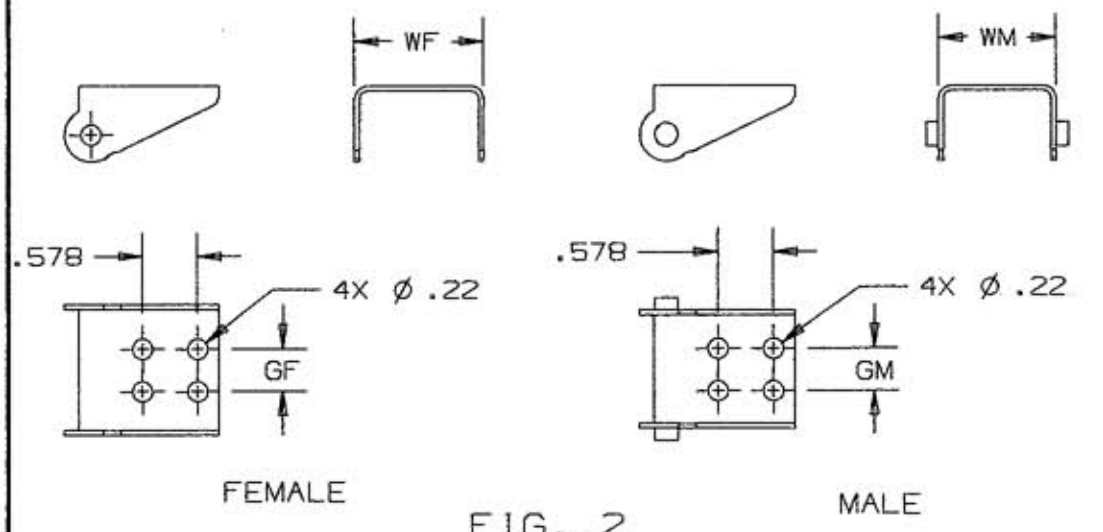


FIG. 2

CATALOG NUMBER	FIG.	WF	WM	R ±.03	C ±.05	B ±.02	GF ±.12	GM ±.12	T TRAVEL	TRACK LGTH (REF)
HCT10114K	1,3	.94	.81	1.43	3.86	.59	.47	.40	3 FT	4 FT
HCT10114I	1								1 FT	1 FT
HCT10219K	1,2	1.35	1.22	1.91	4.82	1.00	.44	.44	3 FT	4 FT
HCT10219I	1								1 FT	1 FT
HCTBK101	3	.94	.81				.47	.40		
HCTBK102	2	1.35	1.22				.44	.44		

IF "T" = 1 FT. THEN SEE NOTE 2.

- NOTES: UNLESS OTHERWISE SPECIFIED
1. HCT10_1_K PARTS ARE SUPPLIED WITH MOUNTING BRACKETS.
 2. CATALOG NUMBERS HCT10_1_I ARE EXTENDER KITS FOR SIMILAR CABLE TRAK CONFIGURATIONS, AND ARE NOT SUPPLIED WITH MOUNTING BRACKETS.
 3. TRAVEL CAN BE DOUBLED IF CABLE TRAK IS TERMINATED AT MACHINE TRAVEL CENTER.
 4. TOTAL TRAVEL (SELF SUPPORTED) NO SAG = 9 FT., WITH SAG = 13.5 FT.
 5. MAX. CABLE O.D.: HCT10114_ = .286 IN.
HCT10219_ = .328 IN.

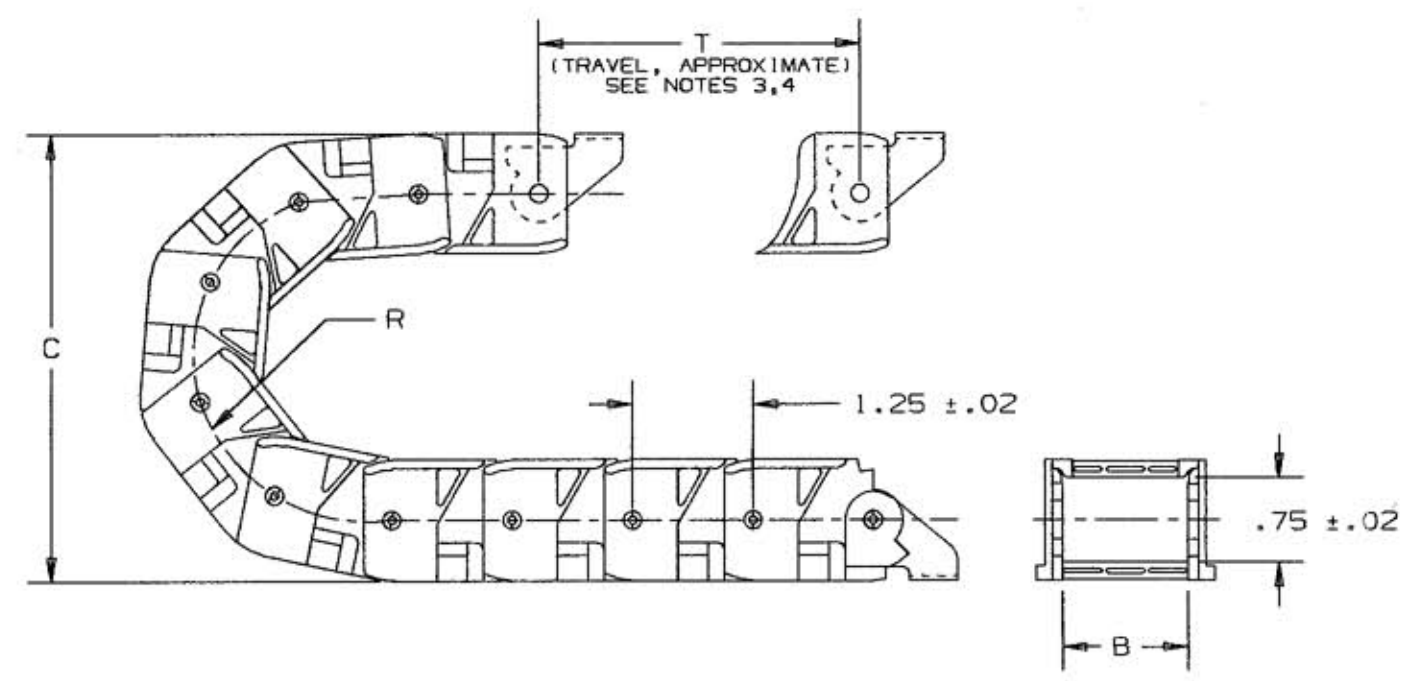


FIG. 1

LIST OF PARTS

DESCRIPTION	MATERIAL	FINISH
LINK	GLASS REINF. NYLON 6	BLACK
BRACKET	STEEL	BLACK COATED

DIMENSION SHEET FOR CAT. NO.

REPAIRABLE NON-REPAIRABLE

1	NEW RELEASE PER DCN #6323	FFS	10/26/98
SYM	REVISIONS	APP	DATE

THE DESIGN AND DIMENSIONS OF THE PRODUCT SHOWN ON THIS DRAWING ARE SUBJECT TO CHANGE WITHOUT NOTICE

TITLE
CABLE TRAK

TOLERANCES UNLESS OTHERWISE SPECIFIED FRACTIONS ± 1/64 DECIMALS ± .005 ANGLES ± 2°	WIRING DEVICE-KELLEMS HUBBELL INCORPORATED BRIDGEPORT, CT	
	DR. BY RTK	APP. BY FFS
	TR. BY	SCALE 1/2
	CHK'D BY FFS	DATE 10/26/98

B

M-8042

1