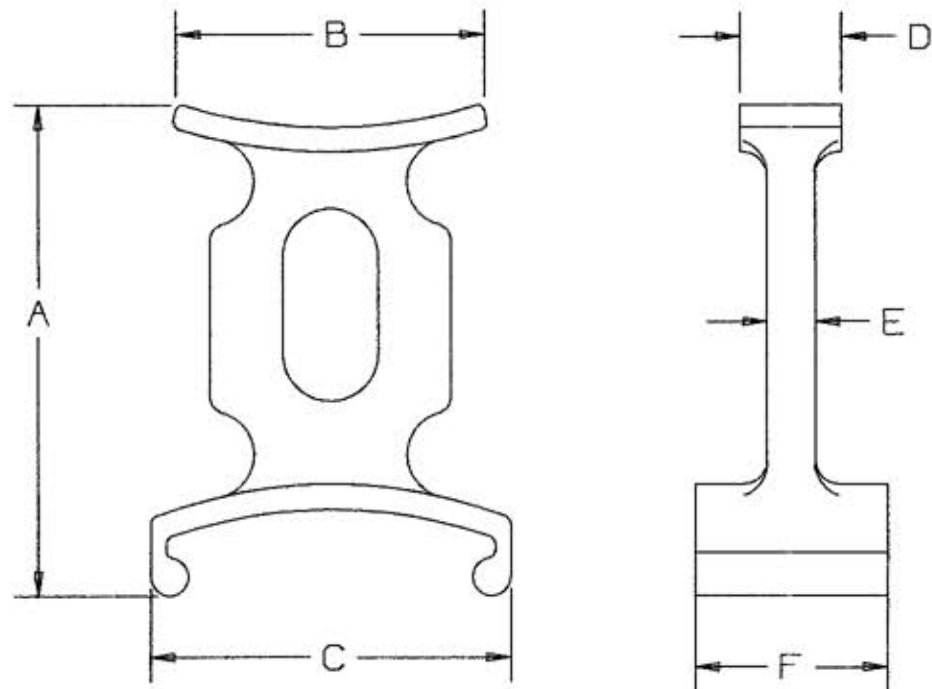


M-8043 1



CATALOG NO.	A ±.05	B ±.05	C ±.05	D ±.02	E ±.01	F ±.02
HCTSP16	1.24	.82	.94	.27	.14	.50
HCTSP25	2.03	1.00	1.19	.35	.15	.62

NOTE: SEPARATORS NOT AVAILABLE FOR HCT101 AND HCT102 SERIES

LIST OF PARTS

DESCRIPTION	MATERIAL	FINISH
SEPARATOR	GLASS REINF. NYLON 6	BLACK

DIMENSION SHEET FOR CAT. NO.

REPAIRABLE NON-REPAIRABLE

1	NEW RELEASE PER DCN #6323	FFS	10/26/98	RTK
SYM	REVISIONS	APP	DATE	

THE DESIGN AND DIMENSIONS OF THE PRODUCT SHOWN ON THIS DRAWING ARE SUBJECT TO CHANGE WITHOUT NOTICE

TITLE
CABLE TRAK

TOLERANCES UNLESS OTHERWISE SPECIFIED FRACTIONS ± 1/64 DECIMALS ± .005 ANGLES ± 2°	WIRING DEVICE-KELLEMS HUBBELL INCORPORATED BRIDGEPORT, CT	
	DR. BY RTK	APP. BY FFS
	TR. BY	SCALE 2:1
	CHK'D BY FFS	DATE 10/26/98

B
M-8043
1