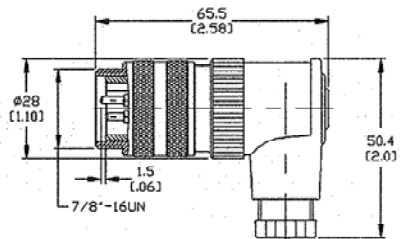
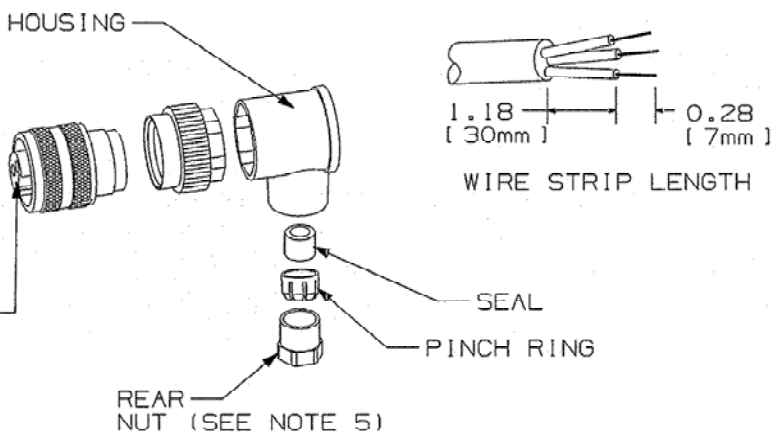


M-11786 1



DIMENSIONS IN INCHES. (mm)



NOTES: UNLESS OTHERWISE SPECIFIED:

1. WIRE SIZE: 16AWG (1.5mm²) MAX.
2. ENCLOSURE RATING: IP67
3. OPERATING TEMPERATURE: -40°C TO 85°C.
4. cULus RECOGNIZED.
5. RECOMMENDED REAR NUT TORQUES
F9 STYLE - 7-8 IN.LBS (80-100 Ncm)
6. RECOMMENDED TERMINAL TORQUE
4.42 IN.LBS (50Ncm)



Male

3 POLE



Male

4 POLE



Male

5 POLE

CATALOG NO.	POLES	RATING	CABLE RANGE
HIMA03F9	3	250V/12A	0.24-0.32 IN.
HIMA04F9	4	250V/9A	0.24-0.32 IN.
HIMA05F9	5	250V/9A	0.24-0.32 IN.

LIST OF PARTS

DESCRIPTION	MATERIAL	FINISH
COUPLING NUT	ALUMINUM	BLACK ANODIZE
CONNECTOR SHELL	PBT	BLACK
CONTACTS	BRASS	GOLD PLATED

1	12/1/10 NEW RELEASE PER DCN 17341 CAC	CAC	
---	---------------------------------------	-----	--

THE DESIGN AND DIMENSIONS OF THE PRODUCT SHOWN ON THIS DRAWING ARE SUBJECT TO CHANGE WITHOUT NOTICE

TITLE ANGLED MALE MINI QUICK F9 FIELD ATTACHABLE

TOLERANCES UNLESS OTHERWISE SPECIFIED FRACTIONS ± 1/64 DECIMALS ± .005 ANGLES ± 2°	WIRING DEVICE-KELLEMS HUBBELL INCORPORATED BRIDGEPORT, CT	
	DR. BY CAC	APP. BY CAC
	TR. BY	SCALE NONE
	CHK'D BY	DATE 12-2-10

DIMENSION SHEET FOR CNT. NO.

SEE TABLE

REPAIRABLE

NON-REPAIRABLE

B

M-11786

1