

M-8307|1

NOTES:

- JUMPER ASSEMBLIES AVAILABLE IN 3, 6, 12, 15, 20, AND 25 FOOT LENGTHS. CONSULT FACTORY FOR OTHER LENGTHS.
- TWO DIGIT SUFFIX IN CATALOG NUMBER DENOTES LENGTH OF PLUG ASSEMBLY IN FEET. HJMS09103 IS 3 FEET LONG.
- ALL FIGURES ARE SHOWN WITH FEMALE PLUGS.
- CATALOG NUMBER PREFIX HJNS___ DENOTES A BLACK NYLON COUPLING NUT; HJMS___ DENOTES A PLATED BRASS COUPLING NUT.

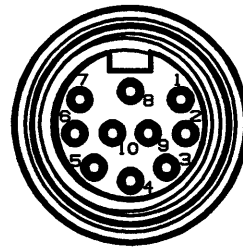


FIGURE 2

WIRE	COLOR
1	ORANGE
2	BLUE
3	WHITE/BLACK
4	RED/BLACK
5	GREEN/BLACK
6	ORANGE/BLACK
7	RED
8	GREEN
9	BLACK
10	WHITE

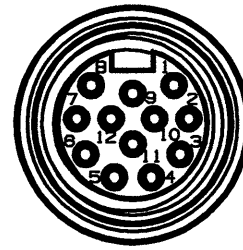


FIGURE 3

WIRE	COLOR
1	ORANGE
2	BLUE
3	WHITE/BLACK
4	RED/BLACK
5	GREEN/BLACK
6	ORANGE/BLACK
7	BLUE/BLACK
8	BLACK/WHITE
9	GREEN
10	RED
11	WHITE
12	BLACK

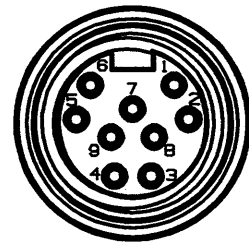
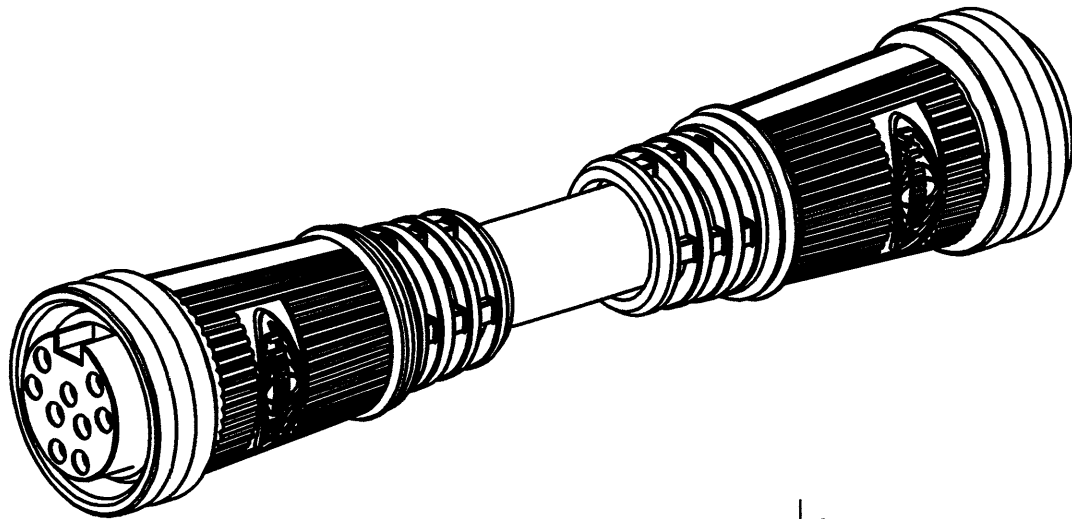
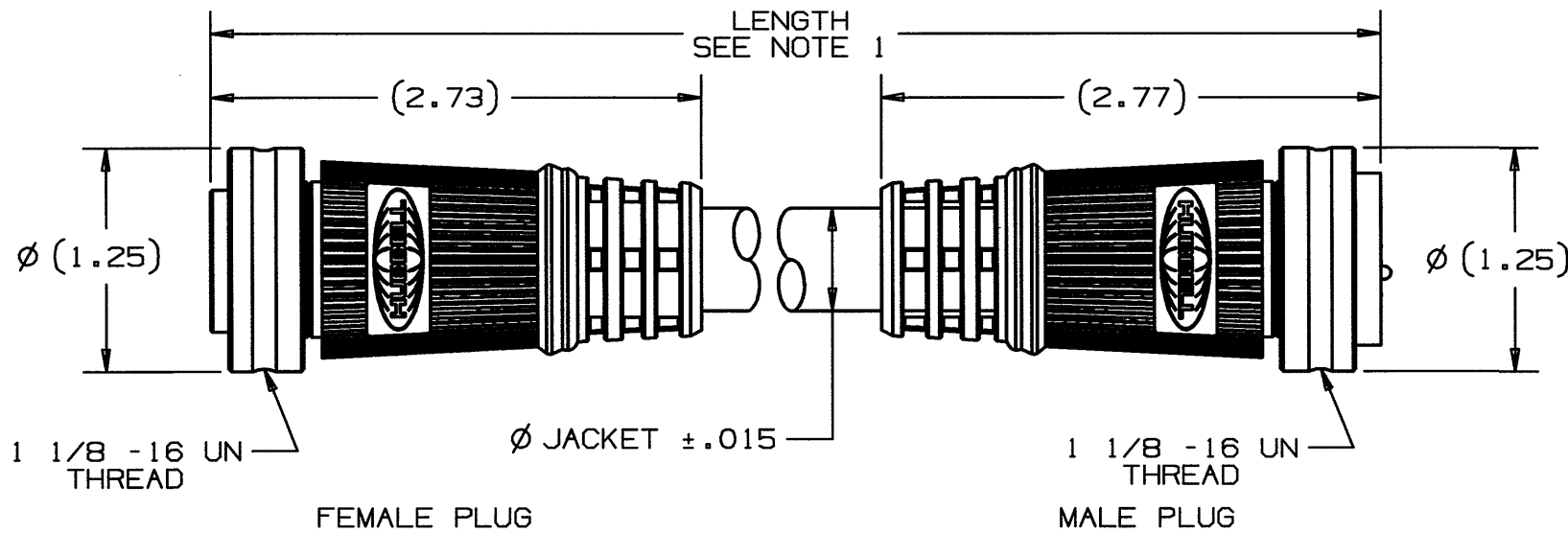


FIGURE 1

WIRE	COLOR
1	ORANGE
2	BLUE
3	RED/BLACK
4	GREEN/BLACK
5	WHITE
6	RED
7	GREEN
8	WHITE/BLACK
9	BLACK



CATALOG NUMBER SEE NOTES 2&4	SEE FIGURE NUMBER	NUMBER OF POLES	AMPS	CABLE JACKET DIA.
HJ_S091_	1	9	9	.657
HJ_S101_	2	10	8	.657
HJ_S121_	3	12	8	.706

LIST OF PARTS

DESCRIPTION	MATERIAL	FINISH
COUPLING NUT	SEE NOTE 4	
INSULATOR, SOCKET	NYLON	WHITE
RETAINER	NYLON	WHITE
O-RING	RUBBER	BLACK
O-RING	SILICONE	GREEN
SOCKET CONTACT	COPPER ALLOY	GOLD OVER Pd/Ni
OVERMOLD	POLYURETHANE	BLACK
CABLE	16 AWG PVC	BLACK
PIN CONTACT	BRASS	GOLD OVER Pd/Ni
INSULATOR, PIN	NYLON	WHITE

DIMENSION SHEET FOR CAT. NO. SEE CHART

REPAIRABLE NON-REPAIRABLE

1	RELEASED PER DCN7299. DJH <i>D.H.</i>	12/16/99
SYM	REVISIONS	APP DATE

THE DESIGN AND DIMENSIONS OF THE PRODUCT SHOWN ON THIS DRAWING ARE SUBJECT TO CHANGE WITHOUT NOTICE

TITLE STRAIGHT MALE/FEMALE JUMPER PLUG, #16 AWG STOOV CABLE

TOLERANCES UNLESS OTHERWISE SPECIFIED	WIRING DEVICE-KELLEMS HUBBELL INCORPORATED BRIDGEPORT, CT	
FRACTIONS ± 1/64	DR. BY DJH	APP. BY <i>G.H.</i>
DECIMALS ± .005	TR. BY	SCALE NONE
ANGLES ± 2°	CHK'D BY <i>G.H.</i>	DATE 12/16/99

B M-8307 1