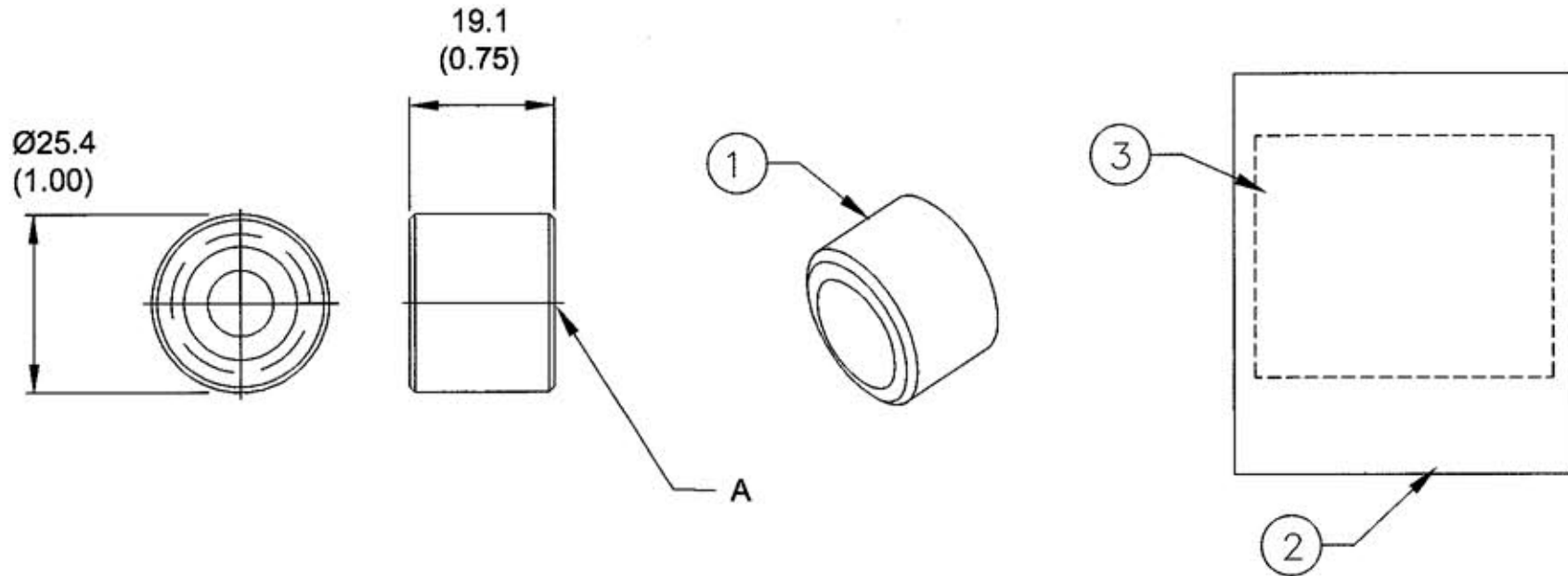


M-8807

1

HUBBELL MODEL	A	WEIGHT (OZ.)
HMSBT	3/8"-16 TAP	1.90
HMSBC	CLEARANCE HOLE FOR 3/8 SCREW	1.60



LIST OF PARTS

DESCRIPTION	MATERIAL	FINISH
BASE	STEEL	ZINC PLATED

DIMENSION SHEET FOR CAT. NO.

SEE CHART

REPAIRABLE NON-REPAIRABLE

1	5/8/02 "X" REMOVED; LAST "X" REVISION WAS X-0. RELEASED FOR PRODUCTION PER DCN #9320. GDR MJL	<i>MJR</i>	05/23/02
SYM	REVISIONS	APP	DATE

THE DESIGN AND DIMENSIONS OF THE PRODUCT SHOWN ON THIS DRAWING ARE SUBJECT TO CHANGE WITHOUT NOTICE

TITLE
BASE FOR SENSOR MOUNT SYSTEM

TOLERANCES UNLESS OTHERWISE SPECIFIED		WIRING DEVICE-KELLEMS HUBBELL INCORPORATED BRIDGEPORT, CT	
FRACTIONS	±1/64	DR. BY GDR	APP. BY <i>MJR</i>
DECIMALS	±005	TR. BY	SCALE NONE
ANGLES	±2	CHK'D BY	DATE 5/8/02

UNLESS OTHERWISE SPECIFIED DIMENSIONS ARE IN mm (INCHES)