

M-8479 2



FIGURE 1

WIRE	COLOR
1	YELLOW/GREEN
2	BROWN
3	BLUE



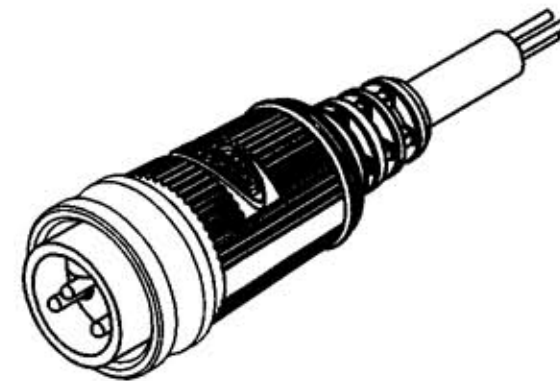
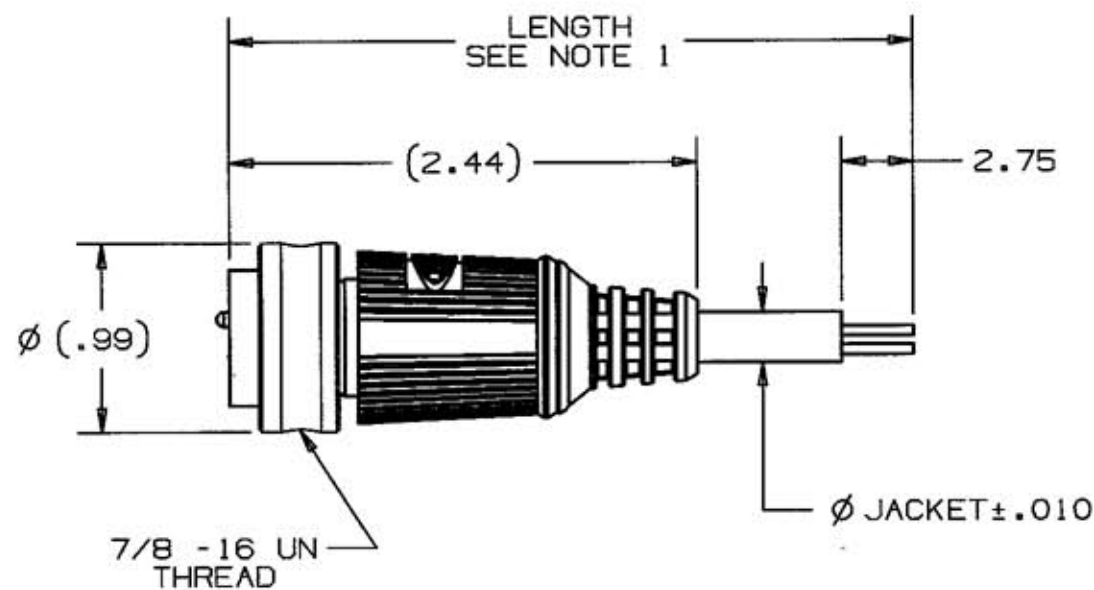
FIGURE 2

WIRE	COLOR
1	BLACK
2	BLUE
3	BROWN
4	WHITE



FIGURE 3

WIRE	COLOR
1	BLACK
2	BLUE
3	YELLOW/GREEN
4	BROWN
5	WHITE



NOTES:

1. PLUG ASSEMBLIES AVAILABLE IN 3,6,12,15,20,AND 25 FOOT LENGTHS. CONSULT FACTORY FOR OTHER LENGTHS.
2. TWO DIGIT SUFFIX IN CATALOG NUMBER DENOTES LENGTH OF PLUG ASSEMBLY IN FEET. HPNS03303 IS 3 FEET LONG.
3. CATALOG NUMBER PREFIX;  
 HPNS\_\_\_\_\_ DENOTES A BLACK NYLON COUPLING NUT,  
 HPMS\_\_\_\_\_ DENOTES A NICKEL PLATED BRASS COUPLING NUT.

CATALOG NUMBER SEE NOTE 2	SEE FIGURE NUMBER	NUMBER OF POLES	AMPS	CABLE JACKET DIA.
HPMS033__ HPNS033__	1	3	11	.258
HPMS043__ HPNS043__	2	4	8	.258
HPMS053__ HPNS053__	3	5	7	.258

LIST OF PARTS

DESCRIPTION	MATERIAL	FINISH
COUPLING NUT	SEE NOTE 3	
INSULATOR	NYLON	WHITE
RETAINER	NYLON	WHITE
O-RING	SILICONE	GREEN
PIN CONTACT	BRASS	GOLD OVER Pd/Ni
OVERMOLD	POLYURETHANE	BLACK
CABLE	18 AWG PVC	BLACK

2	DIM. (2.44) WAS 2.44 DIM. 2.75 WAS .38 FIG.1-2-3, CORRECT NUMBERS ON FACE. NOTE 2,3 & TABLE,CAT.NOS. WERE HPMA & HPNA . DCN10549 GPK/GPH <i>GPH</i>	GPH	2/20/03
1	X REMOVED; LAST X-REVISION WAS X-0. RELEASED FOR PRODUCTION PER DCN #8642. JMN GPH		6/15/01

SYM	REVISIONS	APP	DATE
-----	-----------	-----	------

THE DESIGN AND DIMENSIONS OF THE PRODUCT SHOWN ON THIS DRAWING ARE SUBJECT TO CHANGE WITHOUT NOTICE

TITLE  
 STRAIGHT MALE PLUG,  
 #18 AWG AWM2661 CABLE

TOLERANCES UNLESS OTHERWISE SPECIFIED	WIRING DEVICE-KELLEMS HUBBELL INCORPORATED BRIDGEPORT, CT	
FRACTIONS ± 1/64	DR. BY JMN	APP. BY GPH
DECIMALS ± .005	TR. BY	SCALE NONE
ANGLES ± 2°	CHK'D BY GPH	DATE 6/15/01