

M-8079 1

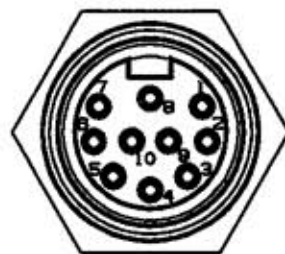


FIGURE 2

WIRE	COLOR
1	ORANGE
2	BLUE
3	WHITE/BLACK
4	RED/BLACK
5	GREEN/BLACK
6	ORANGE/BLACK
7	RED
8	GREEN
9	BLACK
10	WHITE

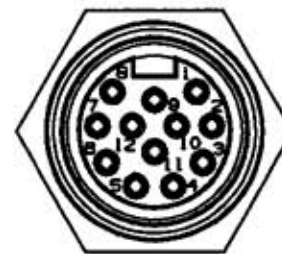


FIGURE 3

WIRE	COLOR
1	ORANGE
2	BLUE
3	WHITE/BLACK
4	RED/BLACK
5	GREEN/BLACK
6	ORANGE/BLACK
7	BLUE/BLACK
8	BLACK/WHITE
9	GREEN
10	RED
11	WHITE
12	BLACK

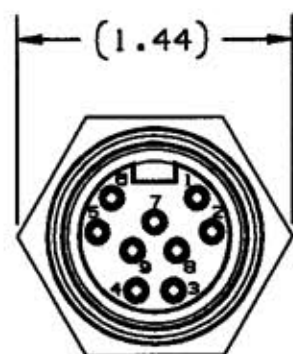
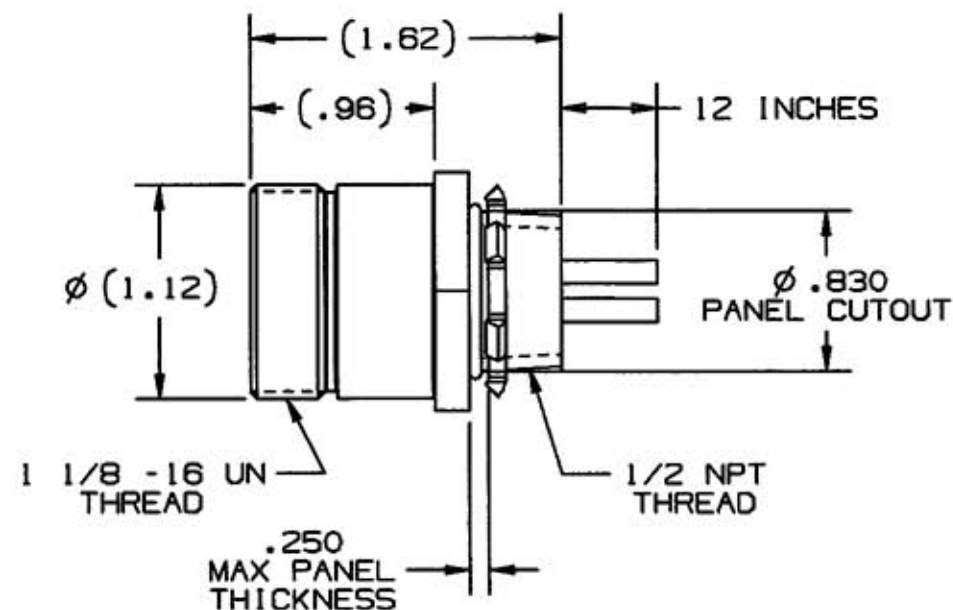


FIGURE 1

WIRE	COLOR
1	ORANGE
2	BLUE
3	RED/BLACK
4	GREEN/BLACK
5	WHITE
6	RED
7	GREEN
8	WHITE/BLACK
9	BLACK



CATALOG NUMBER	SEE FIGURE NUMBER	NUMBER OF POLES	AMPS
HRMS095_	1	9	9
HRMS105_	2	10	8
HRMS125_	3	12	8

LIST OF PARTS

DESCRIPTION	MATERIAL	FINISH
RECEPTACLE SHELL	BRASS	NICKEL
INSULATOR	NYLON	WHITE
RETAINER	NYLON	
O-RING	RUBBER	BLACK
O-RING	RUBBER	BLACK
SOCKET CONTACT	COPPER ALLOY	GOLD OVER Pd/Ni
LOCKNUT	STEEL	ZINC
WIRE	16 AWG PVC	

DIMENSION SHEET FOR CAT. NO.

SEE CHART

REPAIRABLE

NON-REPAIRABLE

1	RELEASED PER DCN6427-1. DJH <i>S.P.H.</i>	02/23/00
SYM	REVISIONS	APP DATE

THE DESIGN AND DIMENSIONS OF THE PRODUCT SHOWN ON THIS DRAWING ARE SUBJECT TO CHANGE WITHOUT NOTICE

TITLE  
FEMALE RECEPTACLE  
HEX MOUNT, 600V

TOLERANCES UNLESS OTHERWISE SPECIFIED		WIRING DEVICE-KELLEMS HUBBELL INCORPORATED BRIDGEPORT, CT	
FRACTIONS ±1/64	DECIMALS ±.005	DR. BY DJH	APP. BY G.H.
ANGLES ±2°		TR. BY	SCALE NONE
		CHK'D BY G.H.	DATE 02/23/00

B

M-8079

1