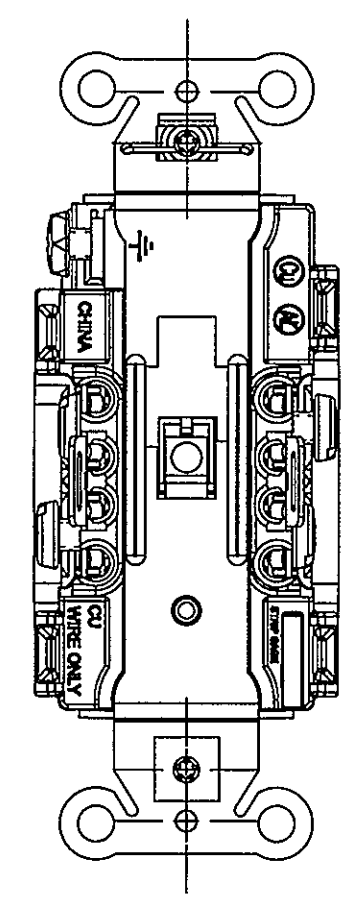
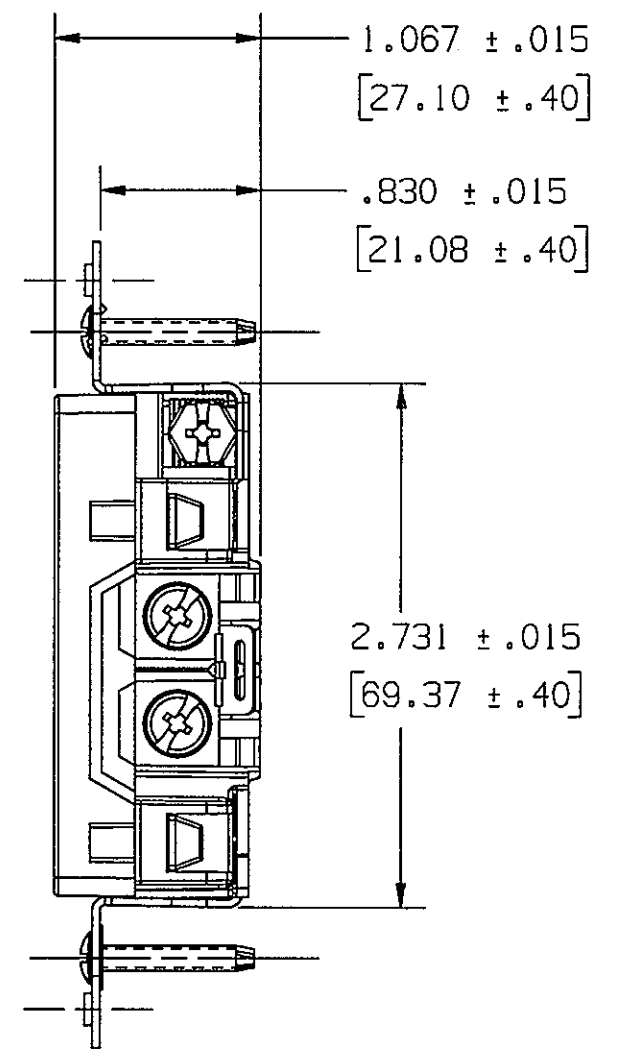
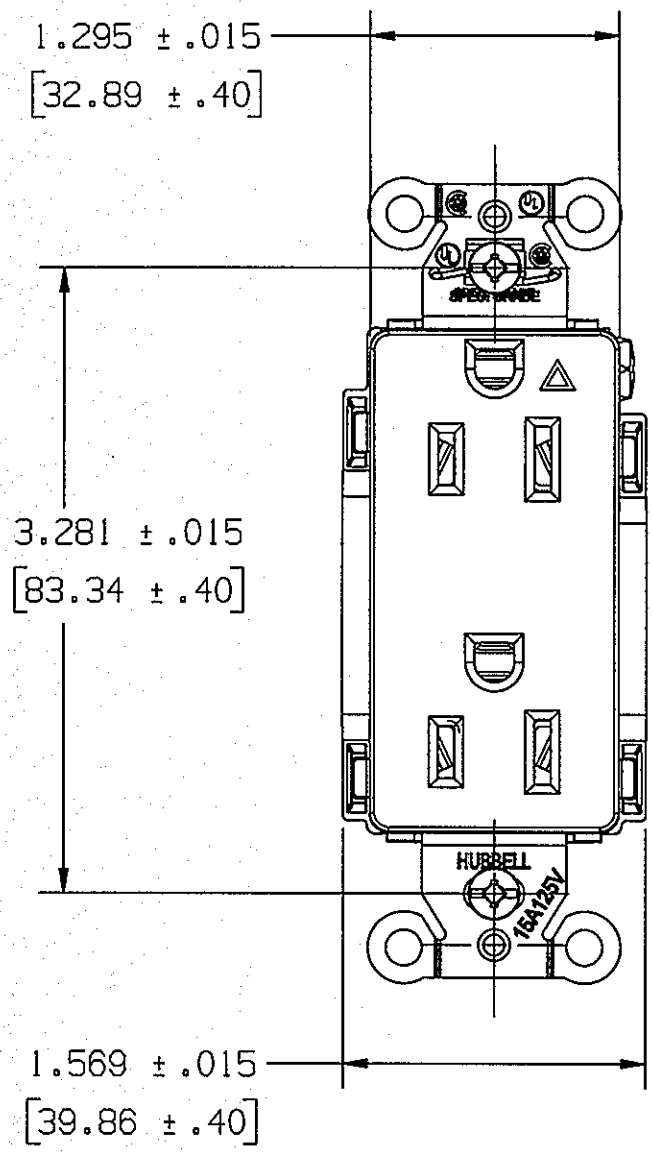


M-10964 3



NOTES:  
 1) DIMENSIONS ARE IN INCHES [MM].  
 2) ALL DEVICES UL LISTED AND CSA CERTIFIED.  
 3) TERMINALS ACCOMMODATE #14-#10 AWG COPPER WIRE ONLY.

CATALOG NUMBERS

HUBBELL	BROWN	IVORY	GRAY	WHITE	BLACK	ALMOND	BLUE	LIGHT ALMOND	RED	ORANGE	OFFICE WHITE
	-----	IG15DRI	IG15DRGRY	IG15DRW	IG15DRBLK	IG15DRAL	-----	IG15DRLA	-----	IG15DR	-----

LIST OF PARTS		
DESCRIPTION	MATERIAL	FINISH
TOP	NYLON 6/6	SPI A-3
BASE	NYLON 6/6	SPI A-3
LINE CONTACTS	BRASS	
GROUND CONTACTS	BRASS	
CONTACT SCREW (NEU)	STEEL	NI PLT
CONTACT SCREW (HOT)	STEEL	
BRIDGE	.04 GALV STL	
GROUND SCREW	STEEL	GREEN
STAPLE	S.S.	
WASHER	PVC FILM	BLACK
MOUNTING SCREW	STEEL	SS
INSULATOR	MYLAR	

SYM	REVISIONS	APP	DATE
3	UPDATED TOP VIEW SHOWING IG SYMBOL ON RIGHT SIDE OF A-FACE TO REFLECT CURRENT PRODUCTION. PER DCN 20555 DDL	DJP	06/17/14
2	ADDED CATALOG # IG15DRBLK TO TABLE PER DCN 19805. MYA	DJP	4/28/13
1	RELEASED PER DCN #14759 WRV		03/08

THE DESIGN AND DIMENSIONS OF THE PRODUCT SHOWN ON THIS DRAWING ARE SUBJECT TO CHANGE WITHOUT NOTICE

TITLE		HUBBELL 15A 125V, 2P 3W ISOLATED GROUND DECORATOR RECEPT. BACK & SIDE WIRE ONLY	
TOLERANCES UNLESS OTHERWISE SPECIFIED		WIRING DEVICE-KELLEMS HUBBELL INCORPORATED SHELTON, CT	
.XX = ± .01	.XXX = ± .005	DR. BY WRV	APP. BY
ANGLES = ± 2°		TR. BY	SCALE 1:1
		CHK. BY	DATE 3/08

DIMENSION SHEET FOR CAT. NO. SEE TABLE REPAIRABLE  NON-REPAIRABLE  B M-10964 3