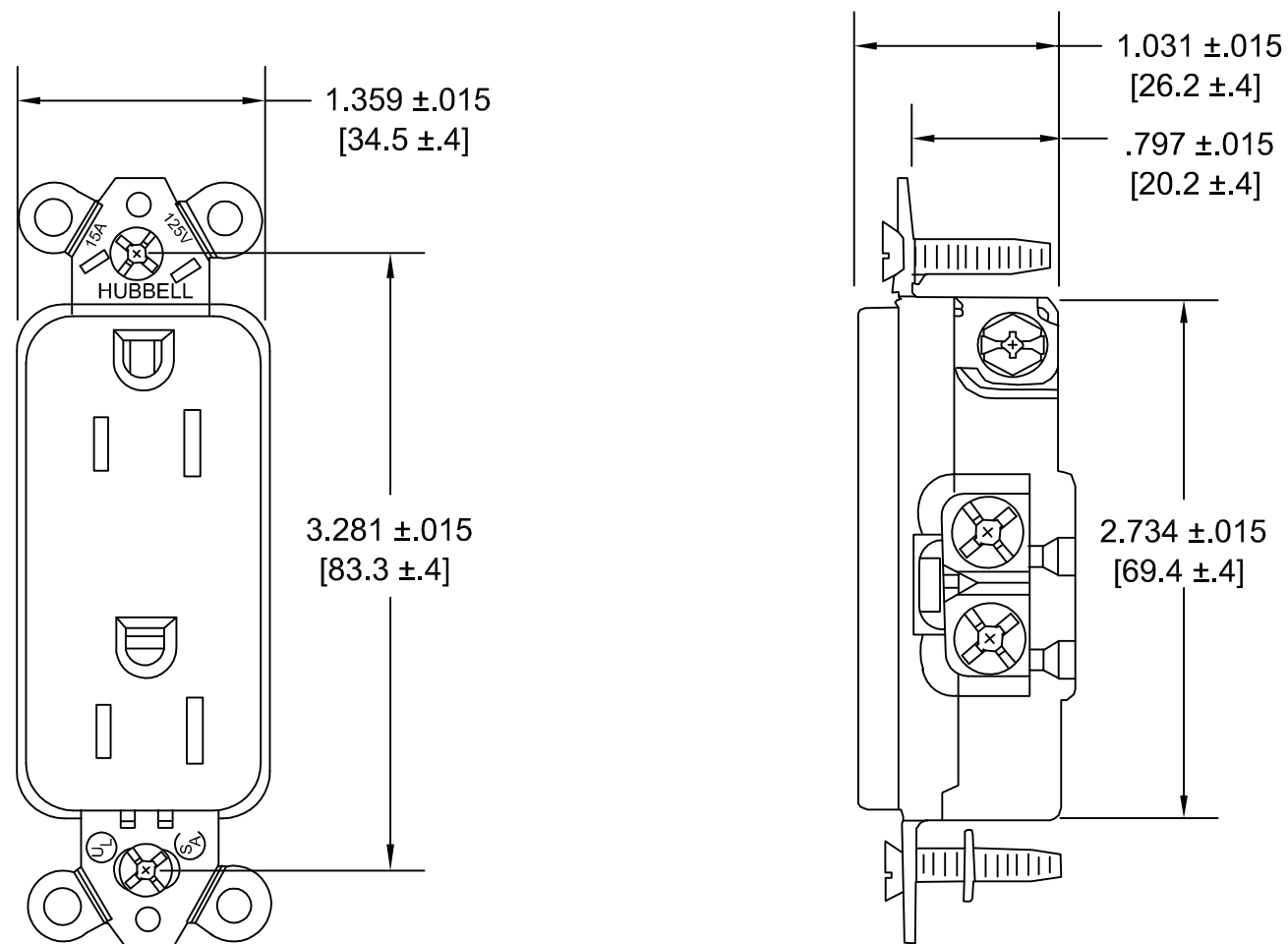


M-6753

6



LIST OF PARTS		
DESCRIPTION	MATERIAL	FINISH
TOP	NYLON	
CENTER DRIVE SCREW	STEEL	ZINC PLATE
CONT.SP. BIND PLATE	PHOSPHOR BRONZE	
GR. CONTACT SP.	.031 BRASS	
WIRE CLAMP	.062 C.R.S.	NICKEL PL.
BRIDGE	.050 STEEL	ZINC PL.
GROUND SPRING	.031 ST. ST.	
BINDING SCREWS	BRASS	
HEX HD. BIND. SC	BRASS	GREEN
FLAT HD MTG SC.	STEEL	ZINC PL.
WASHER	FIBER	RED
BASE	MELAMINE OR THERMOPLASTIC POLYESTER	

6	DIM.2.734 WAS 2.750 DIN. PER DCN 22838 SPN	DJP	1/17/16
5	IN TABLE ADDED "L" TO ALMOND CATALOG # SUFFIX: ADDED METRIC DIMENSIONS, ADDED NOTES 1-3 IN LIST OF PARTS, CONTACT SPRING BINDING PLATE MATERIAL WAS .031 BRASS PER DCN # 11607. JMN	MJL	5/20/04
4	TABLE, ADDED COLOR ALMOND WITH CATALOG NUMBERS.	CAC	12/12/03 SPN
3	CONVERTED ALL DIMS TO 3 PL DECIMAL & TOL ADDED, VIEWS REVD TO SHOW TRI-DRIVE SCREWS, HBL PREFIX ADDED TO NON-IG CATALOG NO'S TABLE REVISED PER DCN # 7773	DB	7-10-00 AMZ
2	ADDED "APPLIANCE WHITE" COLUMN AND IG2162WA PER DCN #3002	M.M.	10/14/94 JMN
1	ADDED CAT. NOS. 2152OW, 2172OW, 2162OW, 2182OW	SGL	3-19-91 AJL

SYM	REVISIONS	APP	DATE

THE DESIGN AND DIMENSIONS OF THE PRODUCT SHOWN ON THIS DRAWING ARE SUBJECT TO CHANGE WITHOUT NOTICE

TITLE STYLIZED RECEPTACLE  
3 WIRE GROUNDING STRAIGHT  
BLADE (DUPLEX)

TOLERANCES UNLESS OTHERWISE SPECIFIED FRACTIONS ±1/64 DECIMALS ±.005 ANGLES ± 2°	WIRING DEVICE-KELLEMS HUBBELL INCORPORATED SHELTON, CT	
	DR. BY AJL	APP. BY
	TR. BY	SCALE 1=1
	CHK'D BY JLS	DATE 11-7-88

STYLE	FEATURES				COLOR								RATING
	BLACK SIDE WIRE	HOSPITAL GRADE	ISOLATED GROUND	ILLUMINATED	BROWN	IVORY	WHITE	GRAY	BLACK	ORANGE	ALMOND	OFFICE WHITE	
DUPLEX	X				HBL2152	HBL2152I	HBL2152W	HBL2152GY	HBL2152BK		HBL2152AL	HBL2152OW	15A / 125V.
DUPLEX	X	X			HBL2172	HBL2172I	HBL2172W	HBL2172GY				HBL2172OW	15A / 125V.
DUPLEX	X		X							IG2152			15A / 125V.
DUPLEX	X				HBL2162	HBL2162I	HBL2162W	HBL2162GY	HBL2162BK		HBL2162AL	HBL2162OW	20A / 125V.
DUPLEX	X	X			HBL2182	HBL2182I	HBL2182W	HBL2182GY				HBL2182OW	20A / 125V.
DUPLEX	X		X							IG2162			20A / 125V.
DUPLEX	X	X	X							IG2182			20A / 125V.

NOTES: (UNLESS OTHERWISE SPECIFIED)  
1) DIMENSIONS ARE IN INCHES [mm]  
2) ALL DEVICES U.L. LISTED AND C.S.A. CERTIFIED  
3) TERMINALS ACCOMODATE #14-10 AWG COPPER WIRE ONLY.

CODE 74545

DIMENSION SHEET FOR CAT. NO. M-6753  
 REPAIRABLE  NON-REPAIRABLE   
 SEE TABLE  
 6