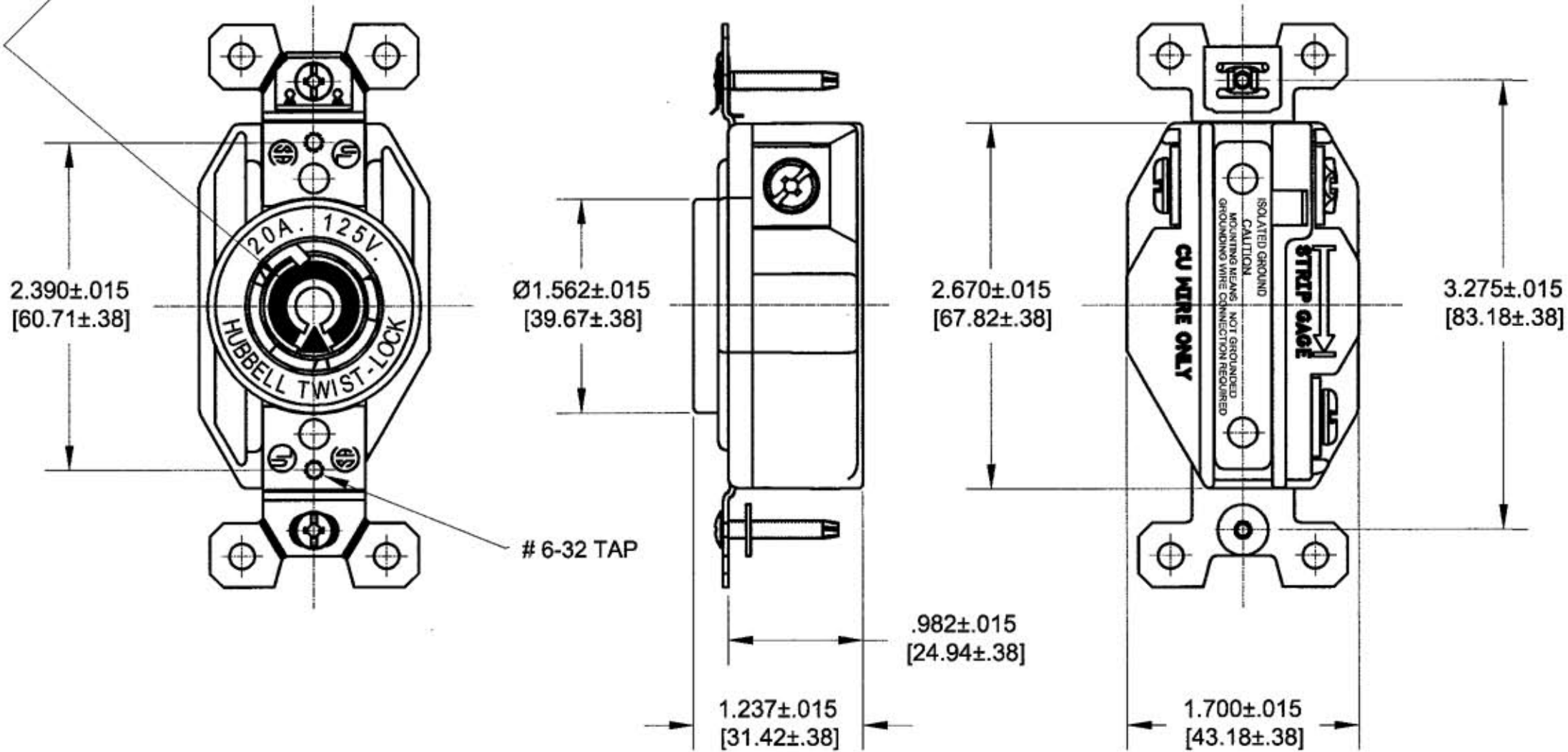





M-6470

4

COLOR RATING RING  
SEE COLOR CHART



CAT. NO	CONFIGURATION	RATING	RATING RING	COLOR
IG2310	NEMA L5-20R 	20A. 125V.	YELLOW	YELLOW
IG2320	NEMA L6-20R 	20A. 250V.	BLUE	BLUE
IG2340	NEMA L8-20R 	20A. 480V.	RED	RED

NOTES: (UNLESS OTHERWISE SPECIFIED):

1) DIMENSIONS ARE: INCHES  
[MM]

LIST OF PARTS

DESCRIPTION	MATERIAL	FINISH
BASE	POLYESTER	TAN
COVER	NYLON	ORANGE
CONTACT SPRINGS	.040 BRASS	
CLAMP	.040 BRASS	
BINDING SCREWS	BRASS	*
HEX HD. BIND SCREW	BRASS	GREEN
OVAL HD. SCREW	STEEL	
WASHER	.031 FIBRE	RED
BACK PLATE	.040 BRASS	
END PLATES	.040 BRASS	
RIVETS	BRASS	
GROUND CLIP	STAINLESS STEEL	

\*WHITE FINISH ON NEUTRAL  
SCREW WHEN USED

SYM	REVISIONS	APP	DATE
4	ADDED DUAL DIMENSIONING & NOTE 1. REMOVED CAT. NO. IG2330 FROM TABLE. IN LIST OF PARTS, OVAL HD. SCREW WAS FLAT HD.; BINDING SCREW MATERIAL "BRASS" WAS "BRONZE". DIMENSIONS CORRECTED TO REFLECT DIM.S FROM DETAIL DWGS. PER DCN #13355. JMN	DJP	12/1/06
3	CONVERTED ALL DIMS TO 3PL DECIMALS & TOL. ADDED, DISCONT. CAT # IG-2330 VIEW EDITED TO SHOW TRI-DRIVE SCREWS PER DCN #7772. AMZ	DB	6-29-00
2	BASE WAS BLACK ADDED GRND CLIP REMOVED "A" FROM CAT # EC7252	MJL	10-3-99
1	CONTACT SPRING MAT. WAS .040 BRONZE. AJL		8-6-86

THE DESIGN AND DIMENSIONS OF THE  
PRODUCT SHOWN ON THIS DRAWING ARE  
SUBJECT TO CHANGE WITHOUT NOTICE

TITLE  
20A. 2 POLE 3 WIRE  
GROUNDING TWIST-LOCK RECEPTACLE  
WITH ISOLATED GROUND

TOLERANCES UNLESS  
OTHERWISE SPECIFIED  
FRACTIONS ±1/64  
DECIMALS ±.005  
ANGLES ±2°

WIRING DEVICE-KELLEMS  
HUBBELL INCORPORATED  
BRIDGEPORT, CT  
DR. BY ASM APP. BY  
TR. BY SCALE 1=1  
CHK'D BY DATE 10-15-85

DIMENSION SHEET FOR CAT. NO. SEE TABLE

REPAIRABLE

NON-REPAIRABLE



M-6470

4