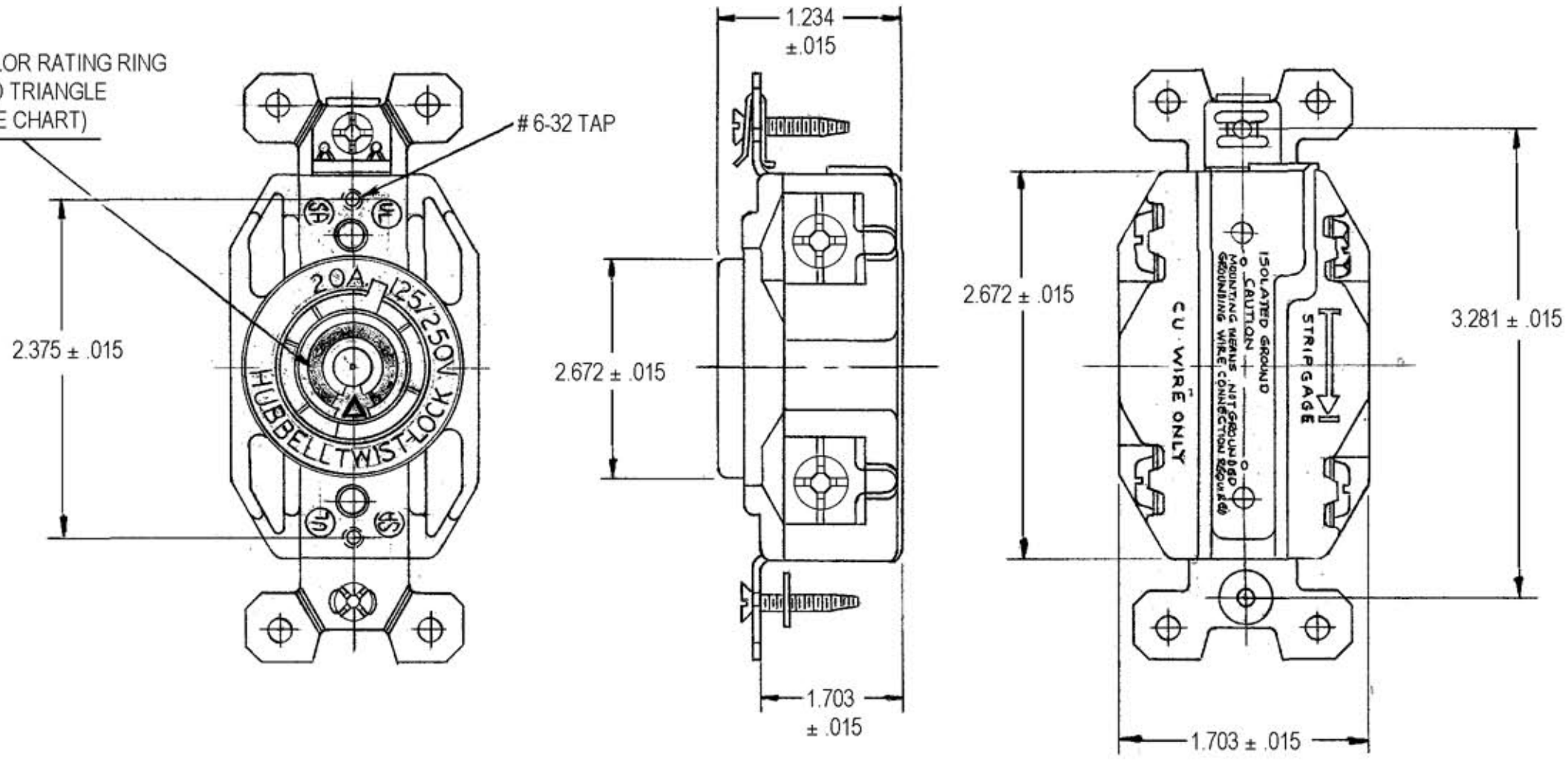


M-6472 3

COLOR RATING RING AND TRIANGLE (SEE CHART)



CAT. NO.	CONFIGURATION	RATING	COLOR	
			RATING RING	△
IG-2410	NEMA L-14-20R	20A. 125/250V.	BLACK	BLACK
IG-2420	NEMA L-15-20R	20A. 250V 3 Ø	BLUE	BLUE
IG-2430	NEMA L-16-20R	20A. 480V 3 Ø	RED	RED

DESCRIPTION	MATERIAL	FINISH
BASE	POLYESTER	TAN
COVER	NYLON	ORANGE
CONTACT SPRINGS	.040BRASS	
CLAMP	.040BRASS	
BINDING SCREWS	BRONZE	*
HEX. HEAD SCREW	BRONZE	GREEN
BACK PLATE	.040BRASS	
END PLATES	.050BRASS	
RIVET	BRASS	
GROUND CLIP	.010 SST	
WASHER	.031FIBRE	RED
FLAT HD. MTG. SCR.	STEEL	

* WHITE FINISH ON NEUTRAL SCREW WHEN USED

SYM	REVISIONS	APP	DATE
3	ALL DIMS CONVERTED TO 3 PL DECIMAL & TOL ADDED. VIEW EDITED TO SHOW TRI-DRIVE SCREW PER DCN #7772. AMZ DB		6/28/00
2	CHD FINISH ON BASE GRD CLIP REMOVED "A" FROM CAT # EC 7252		10-3-99
1	CONTACT SPRING MATL. WAS .040 BRONZE ALL		8-6-86

TITLE
**20A. 3-POLE 4-WIRE
 GROUNDING TWIST-LOCK RECEPTACLE
 WITH ISOLATED GROUND**

TOLERANCES UNLESS OTHERWISE SPECIFIED
 FRACTIONS ± 1/64
 DECIMALS ± .005
 ANGLES ± 2°

HARVEY HUBBELL, INC.
 BRIDGEPORT, CONN.
 DR. BY A.J.L. APP. BY _____
 TR. BY _____ SCALE 1:1
 CHK'D. BY _____ DATE 10-21-85