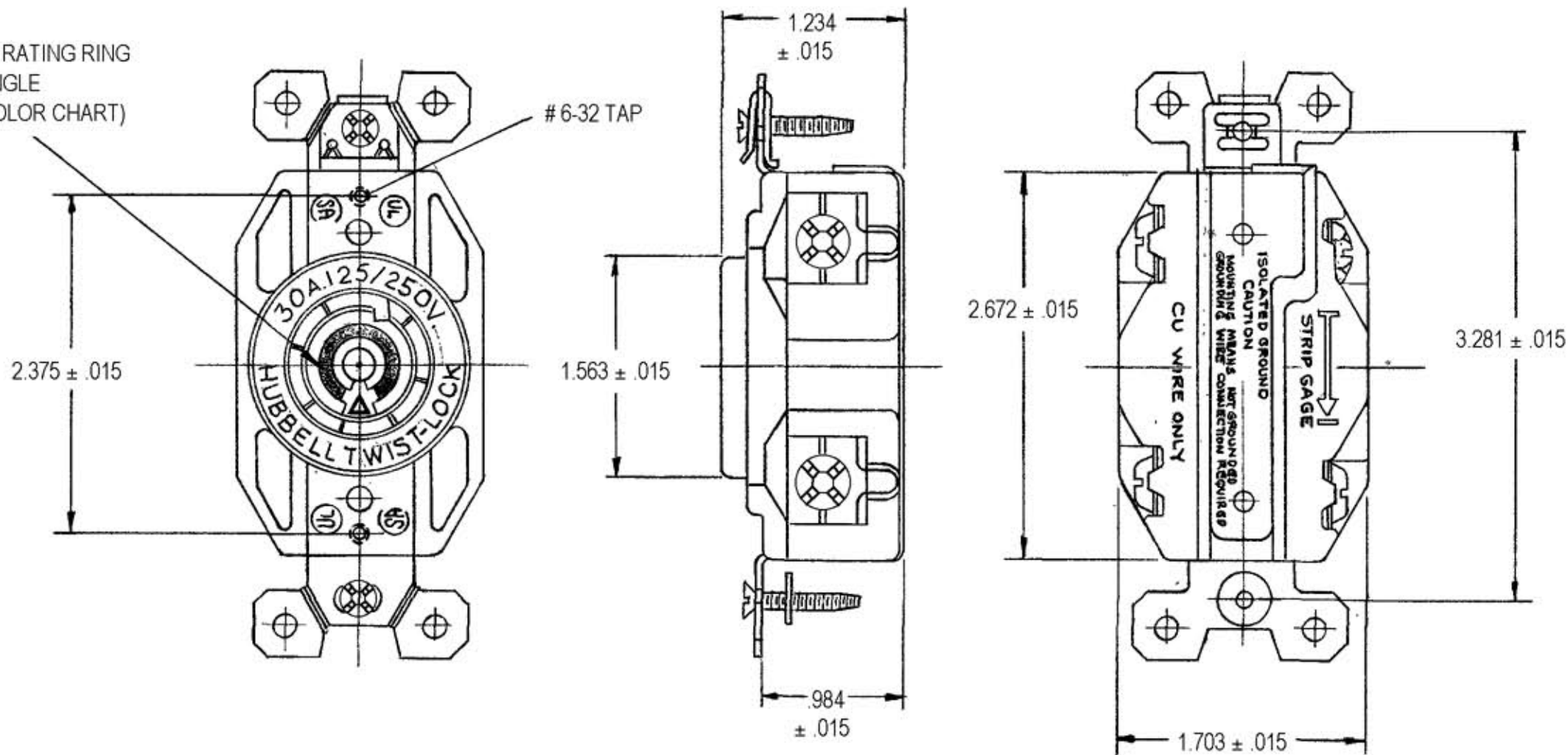


M-6475 3

COLOR RATING RING
7 TRIANGLE
(SEE COLOR CHART)



CAT. NO.	CONFIGURATION	RATING	COLOR	
			RATING RING	△
1G-2710	NEMA L-14-30R	30A. 125/250V.	—	BLACK
1G-2720	NEMA L-15-30R	30A. 250V 3 Ø	BLUE	BLUE

DESCRIPTION	MATERIAL	FINISH
BASE	POLYESTER	TAN
COVER	NYLON	ORANGE
CONTRACT SPRINGS	.040 BRASS	
CLAMP	.04 BRASS	
BINDING SCREWS	BRONZE	*
HEX. HEAD SCREW	BRONZE	GREEN
BACK PLATE	.040 BRASS	
END PLATES	.050 BRASS	
RIVET	BRASS	
GROUND CLIP	.010 SST	
WASHER	.031 FIBRE	RED
FLAT HD. MTG. SCR.	STEEL	

* WHITE FINISH ON NEUTRAL SCREW WHEN USED.

SYM	REVISIONS	APP	DATE
3	ALL DIMS CONVERTED TO 3 PL DECIMAL, VIEWS REVISED TO SHOW TRI-DRIVE SCREWS PER DCN #7772 AMZ DB		7-5-00
2	CHD FINISH BASE. GROUND CLIP REMOVED * A FROM CAT # EC 7252		10-3-99
1	CONTACT SPRING MATL. WAS .040 BRONZE ALL		8-6-86

THE DESIGN AND DIMENSIONS OF THE PRODUCT SHOWN ON THIS DRAWING ARE SUBJECT TO CHANGE WITHOUT NOTICE.

TITLE
**30A 3-POLE 4-WIRE
GROUNDING TWIST-LOCK RECEPTACLE
WITH ISOLATED GROUND**

TOLERANCES UNLESS OTHERWISE SPECIFIED	WIRING DEVICE DIVISION HARVEY HUBBELL, INC. BRIDGEPORT, CONN.	
FRACTIONS ± 1/64	DR. BY <u>A.J.L.</u>	APP. BY
DECIMALS ± .005	TR. BY	SCALE <u>1:1</u>
ANGLES ± 2°	CHK'D. BY	DATE <u>1-20-86</u>

CODE 74545

DIMENSION SHEET FOR CAT. NO. SEE TABLE
 REPAIRABLE NON-REPAIRABLE
B M-6475 3