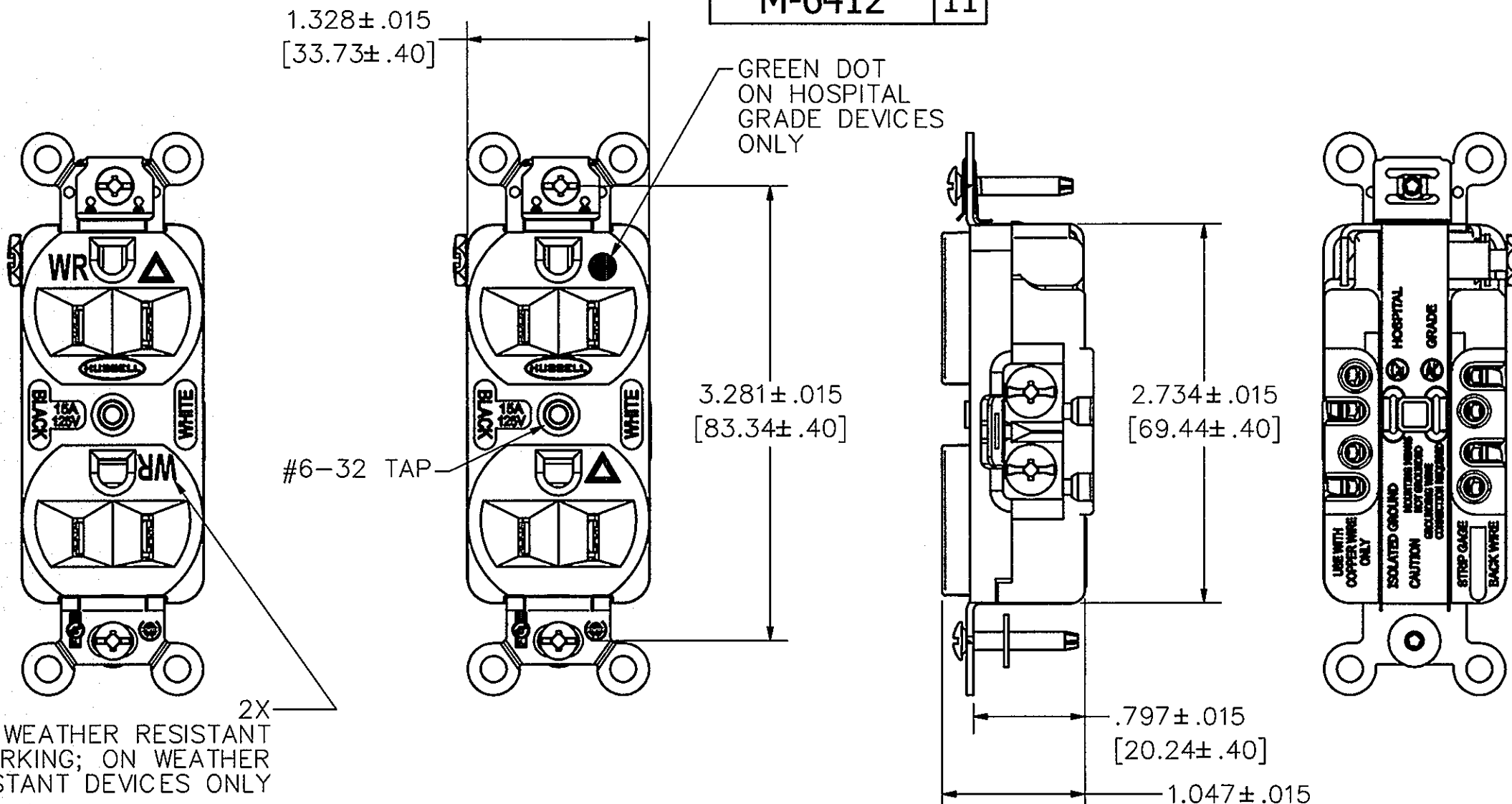


M-6412

11



CATALOG NOS.		COLOR	CONFIGURATION	RATING	CATALOG NOS.		CONFIGURATION	RATING
STANDARD	HOSPITAL GRADE				WEATHER RESISTANT	COLOR		
IG5262	IG8200	ORANGE	NEMA 5-15R	15A. 125V.	IG5262WR	ORANGE	NEMA 5-15R	15A. 125V.
IG5262GY		GRAY			IG5262GYWR	GRAY		
IG5262I		IVORY			IG5262IWR	IVORY		
IG5262R	IG8200R	RED	NEMA 5-20R	20A. 125V.	IG5262RWR	RED	NEMA 5-20R	20A. 125V.
IG5362	IG8300	ORANGE			IG5362WR	ORANGE		
IG5362GY		GRAY			IG5362GYWR	GRAY		
IG5362R	IG8300R	RED	NEMA 6-20R	20A. 250V.	IG5362RWR	RED	NEMA 6-20R	20A. 250V.
IG5462		ORANGE			IG5462WR	ORANGE		
IG5662		ORANGE			IG5662WR	ORANGE		
IG5362W		WHITE	NEMA 5-20R	20A. 125V.	IG5362IWR	IVORY		
					IG5362RWR	RED		

- NOTES:** (UNLESS OTHERWISE SPECIFIED)
- AFTER RECEPTACLE ASSEMBLY, BACK-OUT SCREWS UNTIL WIRE CLAMPS CLEAR THE WIRE HOLES IN THE POSITIONS SHOWN.
  - DIMENSIONS ARE INCHES [mm]
  - DEVICES ARE U.L. LISTED AND C.S.A. CERTIFIED.
  - TERMINALS ACCOMODATE #14-#10 AWG COPPER WIRE ONLY.

LIST OF PARTS

DESCRIPTION	MATERIAL	FINISH
TOP - STANDARD	NYLON	SEE CHART
BASE	POLYESTER	BLACK
CONT. SP. BIND PLATE	.031 BRASS	
GR. CONTACT SP.	.031 BRASS	
INSULATOR	NYLON	NATURAL
WIRE CLAMP	.062 CRS	NICKEL PL.
BRIDGE	BRASS	
GROUNDING SPRING	STAIN. ST.	PASSIVATE
GR. BINDING PLATE	BRASS	
BINDING SCREWS	BRASS	*
HEX HD BIND SC.	BRASS	GREEN
MOUNTING SCREW	STEEL	ZINC PL.
WASHER	FIBER	RED
RIVET	SIL. BRONZE	
TOP - HOSP. GR. & WR	PBT	SEE CHART

\* - WHITE FINISH ON NEUTRAL PARTS WHEN USED

11	REPLACED DRAWING FORMAT WITH INVENTOR MODEL AND SHEET DWG. IN WR VIEW, REVERSED WR AND IG SYMBOLS ON A-FACE, REPOSITIONED WR SYMBOL ON B-FACE. ON HOSP. GRADE VIEW, MOVED IG SYMBOL TO B-FACE. PER DCN 20555. DDL	DJP	06/16/14
10	REVISED TOP MATERIAL PER DCN 17567 RCM	MAM	05/03/11
REV	DESCRIPTION	APP	DATE

THE DESIGN AND DIMENSIONS OF THE PRODUCT SHOWN ON THIS DRAWING ARE SUBJECT TO CHANGE WITHOUT NOTICE

TITLE  
STANDARD, WEATHER RESISTANT & HOSPITAL GRADE, 3 WIRE GROUNDING DUPLEX STRAIGHT BLADE RECEPTACLE WITH ISOLATED GROUND

TOLERANCES UNLESS OTHERWISE SPECIFIED		WIRING DEVICE-KELLEMS HUBBELL INCORPORATED SHELTON, CT	
.XX = ± .01	.XXX = ± .005	DR. BY	APP. BY
ANGLES = ± 2'		TR. BY	SCALE 1:1
		CHK. BY	DATE 06/06/14

DIMENSION SHEET FOR CAT. NO. SEE TABLE

REPAIRABLE  NON-REPAIRABLE

B

M-6412

11