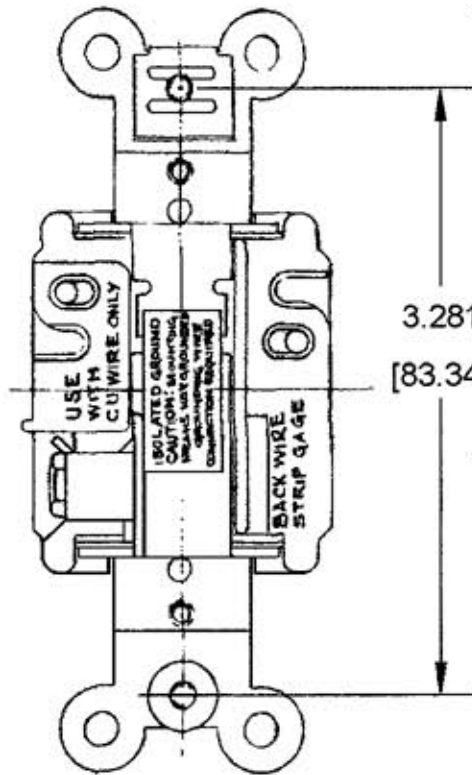
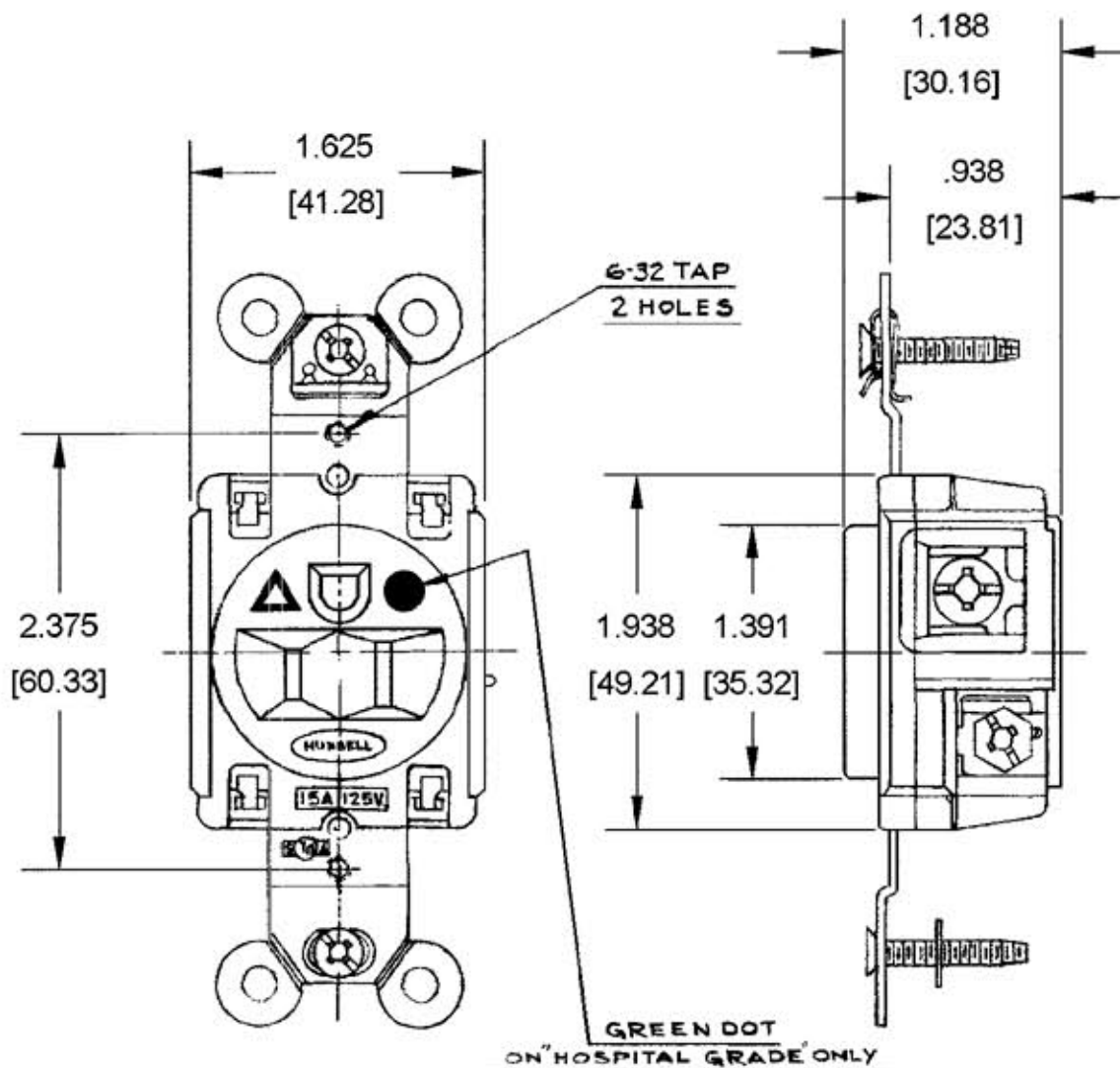
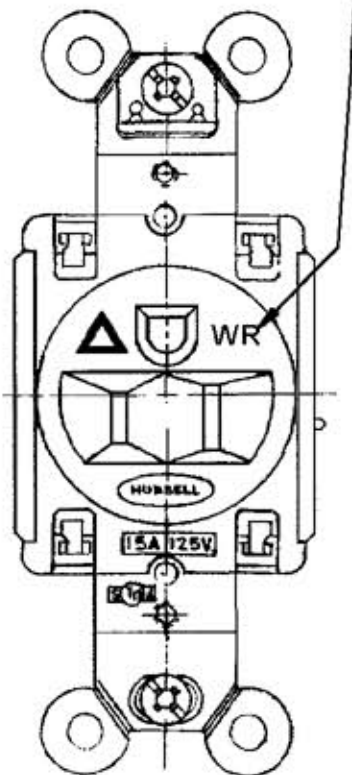


M-6405 2

WEATHER RESISTANT MARKING; ON WEATHER RESISTANT DEVICES ONLY



STANDARD

HOSPITAL GRADE

LIST OF PARTS

DESCRIPTION	MATERIAL	FINISH
BODY	NYLON	ORANGE
BASE	MELAMINE	GRAY
CONT. SP. BIND. PLATE	.040 BRASS	WHITE
CLAMPING PLATE	.031 BRASS	ON
BINDING SCREWS	BRASS	NEUTRAL
GR. BINDING PLATE	BRASS	
GR. CONTACT SPRING	BRASS	
RIVET	BRASS	
HEX HD. BIND. SCREW	BRASS	GREEN
BRIDGE	.050 BRASS	
GR. SPRING	.010 STEEL	ZINC PL.
WASHER	FIBER	RED
FLAT HD. MTG. SCREW	STEEL	ZINC PL.
INSULATOR	NYLON	
CAUTION LABEL	PAPER	
CONT. SP. BIND. PLATE	.040 BRASS	I-WHITE
CLAMPING PLATE	.031 BRASS	I-BLACK
BINDING SCREWS	BRASS	
GR. BINDING PLATE	BRASS	NICKEL PL.
GR. CONT. SPRING	BRASS	NICKEL PL.
RIVET	BRASS	NICKEL PL.
HEX HD. BIND. SCR.	BRASS	GREEN
BRIDGE	.050 BRASS	NICKEL PL.
GR. SPRING	.010 STEEL	NICKEL PL.
WASHER	FIBER	RED
FLAT HD. MTG. SCREW	ST. STEEL	
INSULATOR	NYLON	
CAUTION LABEL	PAPER	

DIMENSION SHEET FOR CAT. NO. SEE CHART

REPAIRABLE NON-REPAIRABLE

B

M-6405

2

CATALOG NO'S.		CONFIGURATION	RATING
STANDARD	HOSPITAL GRADE		
IG-5261	IG-8210	NEMA 5-15 R	15A. 125V.
IG-5361	IG-8310	NEMA 5-20R	20A. 125V.
IG-5461		NEMA 6-20R	20A. 250V.
IG-5661		NEMA 6-15R	15A. 250V.

CATALOG NO'S		CONFIGURATION	RATING
WEATHER RESISTANT			
	IG-5261WR	NEMA 5-15 R	15A. 125V.
	IG-5361WR	NEMA 5-20R	20A. 125V.

2	ADDED "WEATHER RESISTANT" TO DWG. TITLE, METRIC DIM'S, VIEW SHOWING WEATHER RESISTANT MARKS, TABLE FOR WEATHER RESISTANT CAT. NO'S; DECIMAL INCH DIMENSIONS WERE FRACTIONAL PER DGN #14421. JMN	MJM	12/17/07
1	REVISED SCREW HEADS TO TRI-DRIVE PER DGN 10423 RCM	DVB	6/19/03
SYM	REVISIONS	APP	DATE

TITLE STANDARD, WEATHER RESISTANT, & HOSPITAL GRADE 3 WIRE GROUNDING SINGLE STRAIGHT BLADE RECEPTACLE WITH ISOLATED GROUND

TOLERANCES UNLESS OTHERWISE SPECIFIED
 FRACTIONS ± 1/64
 DECIMALS ± .005
 ANGLES ± 2°

HARVEY HUBBELL, INC.
 BRIDGEPORT, CONN.
 DR. BY ABM APP. BY _____
 TR. BY _____ SCALE 1:1
 CHK'D. BY _____ DATE 1-18-84