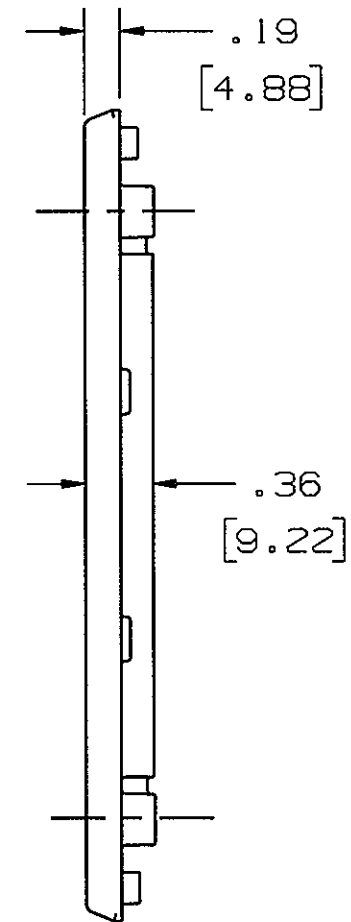
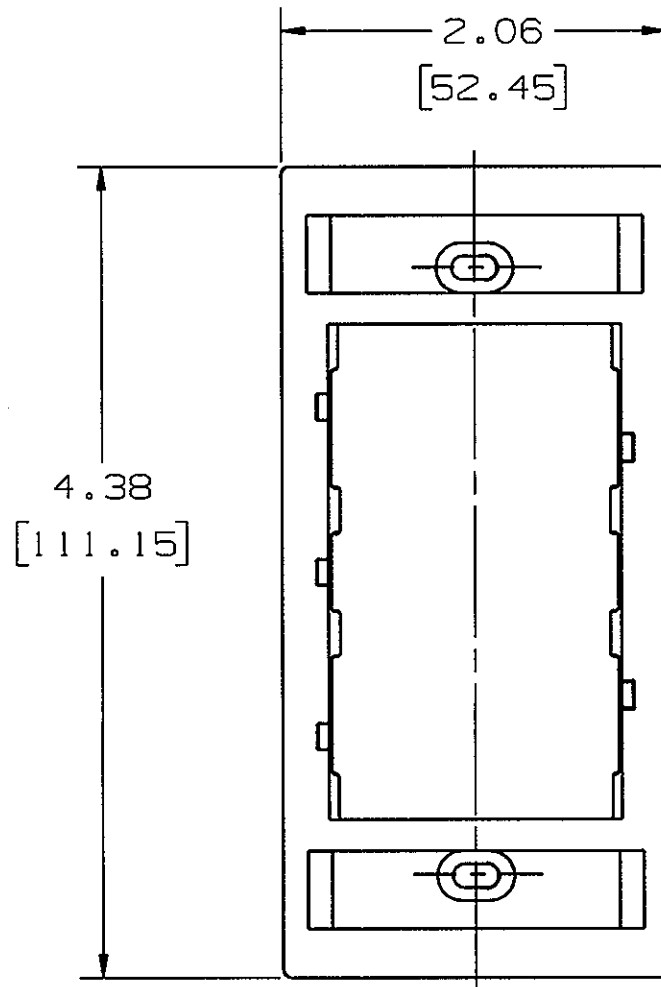
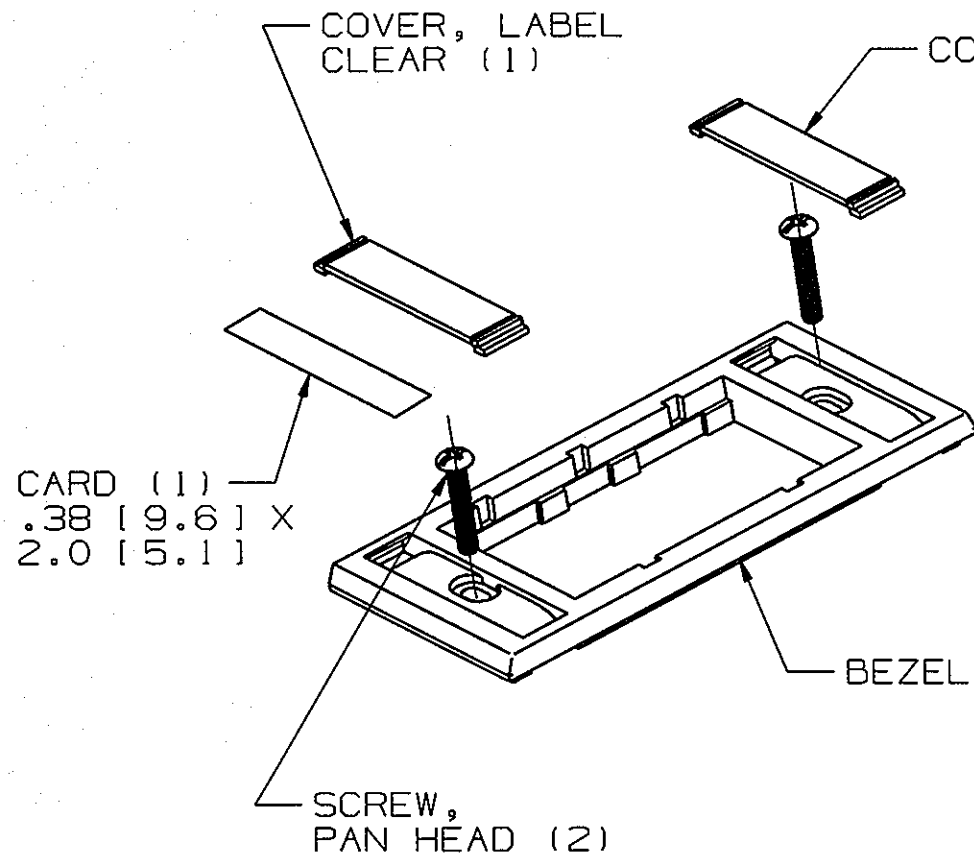


M-9632 3



CATALOG NUMBER	COLOR
KPPANOW	OFFICE WHITE
KPPANGY	GRAY
KPPANAL	ALMOND
KPPANBK	BLACK
KPPANW	WHITE

NOTES:
1. FOR USE WITH PANDUIT MODULES.

ALL DIMENSIONS IN INCHES AND [MM]

CODE 74545

LIST OF PARTS

DESCRIPTION	MATERIAL	FINISH
BEZEL	PC/ABS	SEE TABLE
COVER, LABEL		SEE TABLE
COVER, LABEL CLEAR		CLEAR
CARD	PAPER	WHITE
SCREW	STEEL	ZINC PLATED

DIMENSION SHEET FOR CAT. NO.

SEE TABLE

REPAIRABLE

NON-REPAIRABLE

B

M-9632

W

SYM	REVISIONS	APP	DATE
3	ADDED KPPANBK AND KPPANW TO TABLE PER DCN22827. MJZ,EM.	EM <i>mjz</i>	3/13/17
2	ADDED DIMS OF CARD DCN12839	SRE	1/23/06
1	RELEASED PER DCN 12507	SRE	8/4/05

THE DESIGN AND DIMENSIONS OF THE PRODUCT SHOWN ON THIS DRAWING ARE SUBJECT TO CHANGE WITHOUT NOTICE

TITLE
BEZEL, PANDUIT MODULES

TOLERANCES UNLESS OTHERWISE SPECIFIED FRACTIONS ± 1/64 DECIMALS ± .005 ANGLES ± 2°	WIRING DEVICE-KELLEMS HUBBELL INCORPORATED BRIDGEPORT, CT	
	DR. BY AMM	APP. BY SRE
	TR. BY	SCALE 1:1
	CHK'D BY SRE	DATE 6/27/05