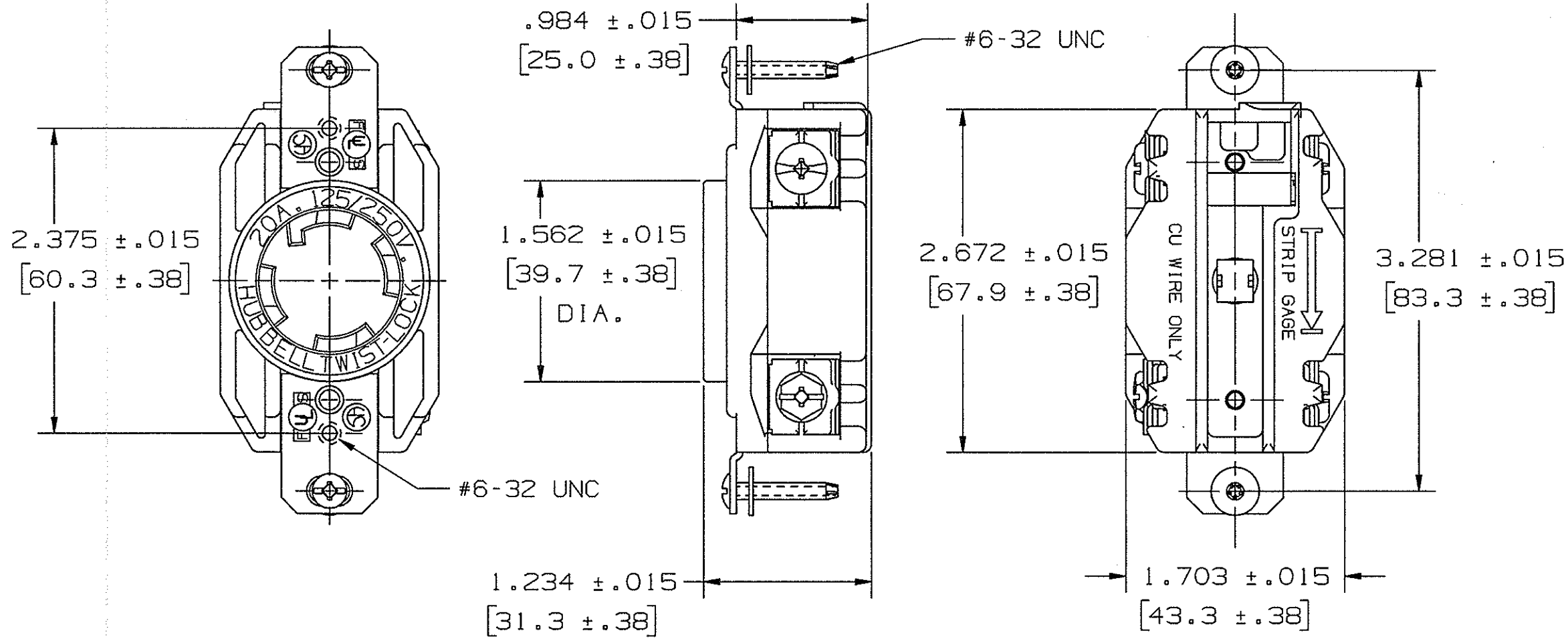


NOTES: UNLESS OTHERWISE SPECIFIED:  
 1. DIMENSIONS ARE INCHES (MILLIMETERS).  
 2. CONDUCTOR SIZE: 12 AWG TO 10 AWG.

M-9089 3



LIST OF PARTS		
DESCRIPTION	MATERIAL	FINISH
BASE	POLYESTER	BLACK
COVER	NYLON	BLACK
CONTACT SPRING	.040 BRASS	
CLAMP	.040 BRASS	
GR. SHUNT	.015 BRASS	
BINDING SCREWS	BRONZE	
HEX.HD.BIND.SCREW	BRONZE	GREEN
BACK PLATE	.040 BRASS	NICKEL
END PLATES	STEEL	NICKEL
RIVET	BRASS	
SCREWS, MOUNTING	STEEL	ZINC

\* WHITE FINISH ON NEUTRAL SCREW WHEN USED

CATALOG NO.	CONFIGURATION	RATING	UL	CSA	FED SPEC.
L1420R	NEMA L14-20R	20A. 125/250V.	YES	YES	YES
L1520R	NEMA L15-20R	20A. 250V.3Ø	YES	YES	YES
L1620R	NEMA L16-20R	20A. 480V.3Ø	YES	YES	NO
L2120R	NEMA L21-20R	20A, 3ØY 120/208 VAC	YES	YES	YES
L2220R	NEMA L22-20R	20A, 3ØY 277/480 VAC	YES	YES	NO
L2320R	NEMA L23-20R	20A, 3ØY 347/600 VAC	YES	YES	NO

SYM	REVISIONS	APP	DATE
3	FED SPEC FOR CATS L1620R, L2220R AND L2320R NO WAS YES PER DCN 18593 SPN	DJP	2/8/12
2	ADDED CATS. L2120R, L2220R, L2320R PER DCN 17744 SPN	DJP	7/8/11
1	RELEASED PER DCN 10754	MJL	5/23/03

THE DESIGN AND DIMENSIONS OF THE PRODUCT SHOWN ON THIS DRAWING ARE SUBJECT TO CHANGE WITHOUT NOTICE

TITLE  
 20A. 3 POLE 4 WIRE TWIST LOCK RECEPTACLES

TOLERANCES UNLESS OTHERWISE SPECIFIED	WIRING DEVICE-KELLEMS HUBBELL INCORPORATED BRIDGEPORT, CT	
FRACTIONS ±1/64	DR. BY CAC	APP. BY MJL
DECIMALS ±.005	TR. BY	SCALE NONE
ANGLES ±2°	CHK'D BY MJL	DATE 5/23/03

DIMENSION SHEET FOR CAT. NO. SEE CHART

REPAIRABLE  NON-REPAIRABLE

B

M-9089

3