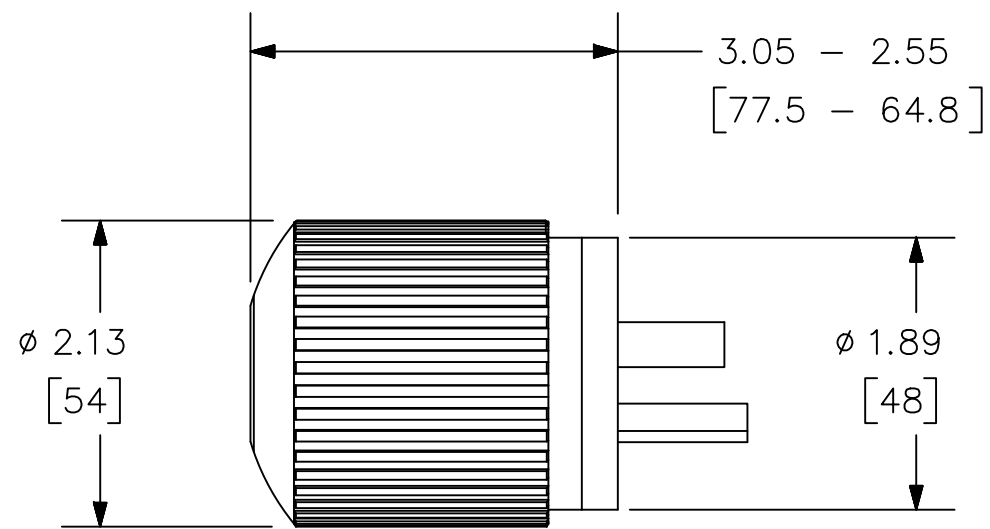
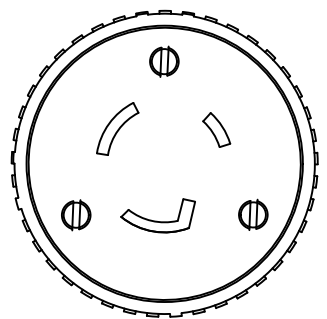


M-11417 10



L520P SHOWN



NEMA NO.	RATING	POLE/WIRE	CAT. NO.	CONFIG.
L5-20P	20A, 125V	2P,3W GROUNDING	L520P	
L6-20P	20A, 250V	2P,3W GROUNDING	L620P	
L7-20P	20A, 277VAC	2P,3W GROUNDING	L720P	
L5-30P	30A, 125V	2P,3W GROUNDING	L530P	
L6-30P	30A, 250V	2P,3W GROUNDING	L630P	
L7-30P	30A, 277VAC	2P,3W GROUNDING	L730P	
L8-20P	20A, 480VAC	2P,3W GROUNDING	L820P	
L8-30P	30A, 480VAC	2P,3W GROUNDING	L830P	

4

4

NOTES:

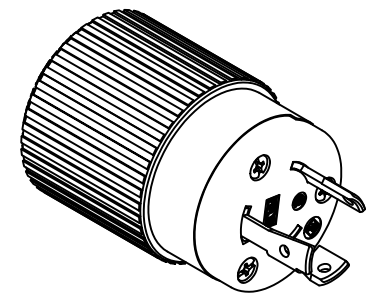
- ALL DEVICES ARE UL LISTED, CSA CERTIFIED.
- ALL DEVICES ARE FED SPEC. EXCEPT FOR L630P, L820P AND L830P.
- FOR CORD DIAMETERS Ø .500 [Ø 12.7mm] AND LARGER, USE OF CAT. NUMBER WITH M2 SUFFIX IS RECOMMENDED.
- CAT. NOS. L620P & L630P ARE PSE LISTED.

CORD RANGE - SEE NOTE 3

3 CONDUCTOR
 18/3 SJ - 8/3 SO
 .300 in - .950 in
 7.6 mm - 24.1 mm

LIST OF PARTS

DESCRIPTION	MATERIAL	FINISH
PULL DOWN RING	NYLON	BLACK
GRIP BODY	NYLON	BLACK
TERMINAL COVER	LEXAN	
DRIVE SCREW	STEEL	ZINC PLATE
DUST COVER	RUBBER	
ASSEMBLY SCREW	STEEL	ZINC PLATE
TERMINAL SCREW	STEEL	GREEN/NICKEL/BRASS
WIRE CLAMP NUT	STEEL	BRASS/STEEL/TIN PLATE
BLADES	BRASS	
PLUG FACE	NYLON	WHITE



CATALOG NO. L-520P
(NOT SHOWN TO SCALE)

SYM	REVISIONS	APP	DATE
10	NOTE 2 ADDED L820P. PER DCN 22855 SPN	DJP	2/1/17
9	REVISED NOTES 2 AND 4. PER DCN 22763 SPN	DJP	12/8/16
8	ADDED ISO VIEW PER DCN 22024 SPN	DJP	5/19/16
7	REDRAWN WITH EMBEDDED CAD MODEL WITH NO CHANGES TO PART GEOMETRY PER DCN 21895 SPN	DJP	2/5/16

THE DESIGN AND DIMENSIONS OF THE PRODUCT SHOWN ON THIS DRAWING ARE SUBJECT TO CHANGE WITHOUT NOTICE

TITLE
 20 & 30A LOCKING
 3-WIRE PLUGS

TOLERANCES UNLESS OTHERWISE SPECIFIED FRACTIONS ±1/64 DECIMALS ±.005 ANGLES ±2°	WIRING DEVICE-KELLEMS HUBBELL INCORPORATED SHELTON, CT	
	DR. BY MJM	APP. BY TLS
	TR. BY	SCALE 1:1
	CHK'D BY	DATE 9/23/09

DIMENSION SHEET FOR CAT. NO. M-11417
 REPAIRABLE NON-REPAIRABLE
 SEE TABLE
 B
 M-11417
 10