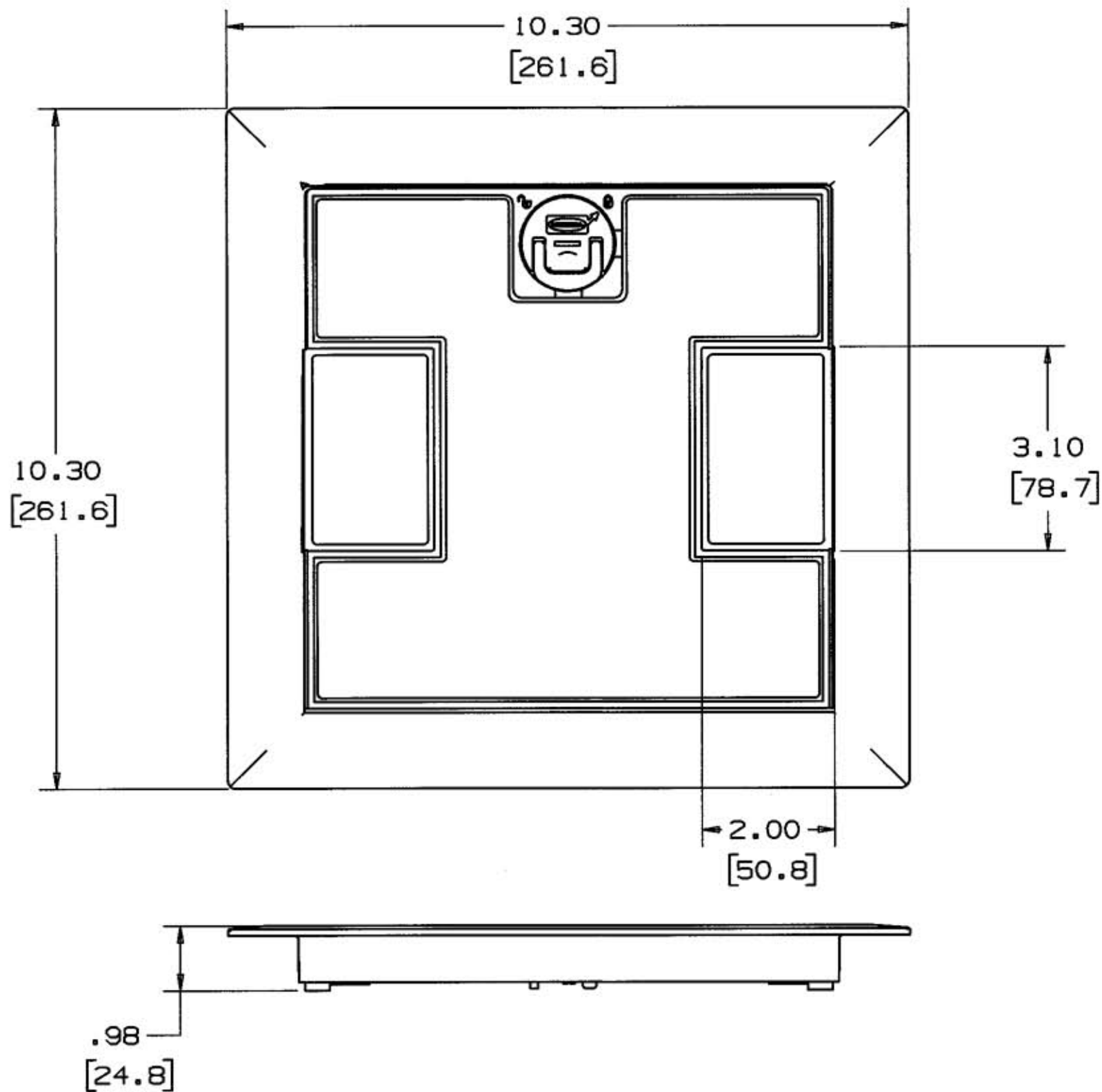


M-87492



NOTE:

1. (4) MOUNTING SCREWS NOT SHOWN.

CODE 74545

COLOR	CATALOG NUMBER
IVORY	LCFBCIA
BROWN	LCFBCBRA
GREY	LCFBCGYA
BLACK	LCFBCBKA

LIST OF PARTS		
DESCRIPTION	MATERIAL	FINISH
CABLE ACCESS DOOR COVER	CYCOLAC SANTOPRENE	SEE TABLE
CARPET FLANGE	MINLON	SEE TABLE
COVER PLATE	STEEL	
COVER KNOB	CYCOLAC	SEE TABLE
PULL RING HANDLE	CYCOLAC	SEE TABLE
DUST COVER	FOAM	
FRONT GASKET	SANTOPRENE	
LEFT GASKET	SANTOPRENE	
RIGHT GASKET	SANTOPRENE	
HINGE SIDE GASKET	SANTOPRENE	

SYM	REVISIONS	APP	DATE
2	UPDATE PER DCN. 10387	TLS	1-31-03
1	DCN. 9353		

THE DESIGN AND DIMENSIONS OF THE PRODUCT SHOWN ON THIS DRAWING ARE SUBJECT TO CHANGE WITHOUT NOTICE

TITLE  
LARGE CAPACITY FLOOR BOX  
FLUSH COVER & CARPET FLANGE

TOLERANCES UNLESS OTHERWISE SPECIFIED	WIRING DEVICE-KELLEMS HUBBELL INCORPORATED BRIDGEPORT, CT
FRACTIONS ± 1/64	DR. BY TJV APP. BY
DECIMALS ± .005	TR. BY SCALE 1:2
ANGLES ± 2°	CHK'D BY DATE 3-18-02

DIMENSION SHEET FOR CAT. NO.  REPAIRABLE  NON-REPAIRABLE **B** M-87492 **2**